

**Model RTT80 I/A Series[®] Temperature Transmitter with HART[®] 7
Communication Protocol and Optional SIL Certification**



The Foxboro[®] brand Model RTT80 is a microprocessor-based temperature transmitter with HART[®] Communication Protocol. It receives input signals from thermocouples, RTDs, ohm, or millivolt sources.

FEATURES

- ▶ Superior accuracy and long term stability from microprocessor-based technology.
- ▶ Registration to HART Protocol Revision 7 (HART 7) digital communications is standard.
- ▶ Available with or without SIL certification.
- ▶ One unit configurable for a variety of Thermocouple (TC) and Resistance Temperature Detector (RTD) inputs.
- ▶ Supports 2-, 3-, or 4-wire RTDs.
- ▶ Allows average or difference measurement.
- ▶ Hot sensor backup - switches to the second sensor if the primary sensor fails.
- ▶ Temperature-dependent switching between sensors used in different measuring ranges.
- ▶ Drift warning or alarm if the deviation between sensor 1 and sensor 2 is less than or greater than a predefined limit value.
- ▶ Thermocouple cold junction compensation.
- ▶ Galvanic isolation 2 kV input to output.
- ▶ Rich on-board diagnostics.
- ▶ Optional digital indicator.
- ▶ Available as a basic module that can mount to a surface or DIN rail, or in explosion-proof universal or dual compartment housings for remote mounting, and integral sensor and thermowell mounting.
- ▶ Available with a wide selection of sensors and thermowells.
- ▶ Configurable failsafe mA value.
- ▶ Maximum/minimum temperature logging.
- ▶ Conforms to applicable European Union Directives (product marked with “CE” logo).
- ▶ Electromagnetic compatibility in accordance with all relevant requirements of EN 61326 and NAMUR NE21.
- ▶ Meets many testing agency requirements for hazardous area installations.
- ▶ Standard two year warranty.

GENERAL DESCRIPTION

The RTT80 provides a wide range of packaging selections, sensor types, and options along with HART communication protocol, thus making this transmitter suitable for most temperature measurement applications. The microprocessor-based electronics minimizes ambient temperature effects and results in high accuracy, repeatability, and linearization of the sensor signal. Ease of mounting and installation makes this transmitter an extremely attractive offering.

I/A Series INTELLIGENT TEMPERATURE TRANSMITTER FAMILY

The RTT80 is part of the Foxboro intelligent temperature transmitter family, which also includes Models RTT15 and RTT30. The RTT80 is also offered with the FOUNDATION fieldbus™ communication protocol; see PSS 2A-1F8 B.

SIL CERTIFICATION

Versions of the RTT80 are available both with and without SIL certification per IEC 61508:2010. For the SIL version, -S2 should be selected in the options field of the model code. The SIL version can be operated in either Normal mode or SIL mode.

SIL mode provides the following benefits:

- ▶ SIL 2/3 (hardware/software) Functional Safety Assessment by TÜV Süd in accordance with IEC 61508, ed. 2.0.
- ▶ Measuring points with one sensor or two sensors up to SIL 2.
- ▶ Creation of two measuring points up to SIL 3 (requires 2 redundant RTT80s).
- ▶ Permanent self-monitoring.
- ▶ Permanent monitoring.

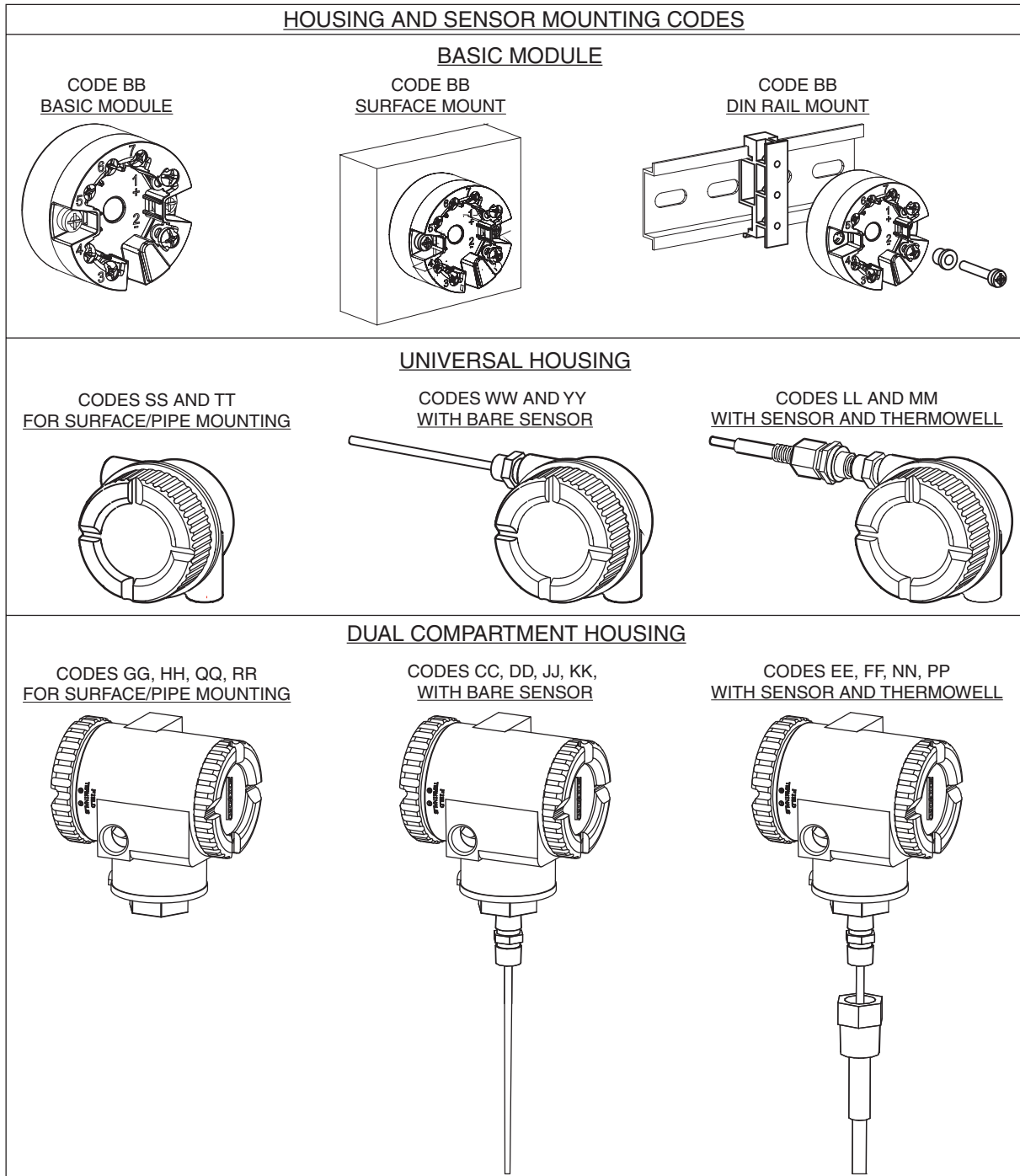
MULTIPLE PACKAGING CONFIGURATIONS

The transmitter is offered in a basic module package or with universal or dual-compartment housing selections.

The DIN B size basic transmitter module is intrinsically safe and is offered for replacement or spare parts purposes, for mounting to a surface, or for mounting to a DIN rail using the optional clip. Alternately, you can select a rugged universal housing for the RTT80, which accommodates the electronics and terminations in a single compartment, or a dual-compartment housing, which isolates and seals the wiring terminals from the electronics compartment. All three options provide built-in protection from vibration and RFI.

You can mount a transmitter with an integral sensor (and thermowell, if desired) directly to the process. Surface- and pipe-mounted configurations allow the transmitter to be mounted remotely from the process. See Figure 1 for transmitter configurations.

Figure 1. Available Housing and Sensor Mounting Codes



EFFICIENT AND DURABLE

Industrial-grade integrated circuits and sealed electronics combine to make this microprocessor-based transmitter an efficient and durable device.

INPUT TYPES

The RTT80 is a configurable temperature field transmitter with either one or two temperature sensor inputs for 2-, 3-, and 4-wire resistance temperature detectors (RTD), most popular thermocouples (TC), and resistance and voltage transmitters. The following is a general list of transmitter input types:

- ▶ Platinum RTDs, 2-, 3-, and 4-wire
- ▶ Nickel RTD, 3-wire
- ▶ Thermocouples
- ▶ Millivolt
- ▶ Ohm

OUTPUT TYPES

RTT80 outputs include:

- ▶ Single measurement or dual measurement configured as average, difference, or redundant measurements
- ▶ Hot sensor backup - transmitter switches to the second sensor if the primary sensor fails
- ▶ Temperature-dependent switching between sensors that are used in different measuring ranges

Output units can be configured for various temperature units, ohms, or millivolts.

REMOTE COMMUNICATIONS

Remote digital communication is provided with HART communication protocol.

Digital HART and 4 to 20 mA dc Protocol

4 to 20 mA with HART communications allows direct analog connection to common receivers while still providing full intelligent digital communications using a HART Communicator or PC-based configurator.

The RTT80 with HART communication is offered with Device Descriptors (DDs), Emerson AMS™ file and Field Device Tool DTM support.

RUGGED AND RELIABLE SENSORS

Foxboro supplied sensors are of high quality and rugged construction, and provide maximum accuracy and longevity. Sensors designed for use with thermowells include a spring loading mechanism that ensures continuous contact between the sensor tip and thermowell.

GALVANIC ISOLATION

2 kV ac Galvanic isolation is provided between input and output.

OUT-OF-RANGE AND FAILURE CURRENT

Low out-of-range and high out-of-range output values are user configurable between 3.5 and 23 mA. A configuration selection for NAMUR 43 (3.8 and 20.5 mA) is also provided.

The transmitter can also be configured for sensor error detection. Output values are independently configurable between 3.5 and 23 mA for both shorted and open sensor conditions. Configuration selections are also provided for direct selection of NAMUR 43 low (3.5 mA) and NAMUR 43 high (23 mA), both independently selectable for either shorted or open sensor conditions. Shorted sensor detection not applicable for thermocouples.

TRANSMITTER DIAGNOSTICS

Standard available diagnostics include:

- ▶ Ambient operating temperature out of range detection
- ▶ Internal electronics diagnostic error detection
- ▶ Wiring error detection
- ▶ Sensor cable open circuit or short circuit detection
- ▶ Corrosion detection in sensor connection cables
- ▶ Low supply voltage detection
- ▶ Measurement over range and under range detection

OPERATING, TRANSPORTATION, AND STORAGE CONDITIONS

Influence (a)	Operative Limits (b) (c)	Transportation and Storage Limits (if different from Operative Limits)
Ambient Temperature (d) Transmitter and optional -L1 display	-40 and +85°C (-40 and +185°F) (b)	-50 and +100°C (-40 and 212°F)
Relative Humidity (e) Transmitter and optional -L1 display	Condensation according to IEC 60068-2-33 Max. rel. humidity: 95% according to IEC 60068-2-30	
Climate Class	Class C1 according to EN 60654-1	
Altitude	Up to 4000 m (13124 ft) above mean sea level as per IEC 61010-1, CAN/CSA C22.2 No. 61010-1	
Ingress Protection	IP 20	
Measuring Category	Category II as per IEC 61010-1. The measuring category is provided for measuring on power circuits that are directly connected electrically with the low-voltage network.	
Degree of Contamination	Pollution degree 2 as per IEC 61010-1.	
Supply Voltage for HART (f)	11 and 42 V dc	Not Applicable
Vibration	25 to 100 Hz for 4 “g” per GL guideline, section 2, issue 3B, paragraph 9 and IEC 60068-2-27 and IEC 60068-2-6	107 mm (42 in) drop in shipping container
Vibration: Housing and Sensor Mounting Codes CC, EE, GG, JJ, LL, NN, QQ, SS and WW	19 mm (0.75 in) Double Amplitude from 5 to 9 Hz, 0 to 30 m/s ² (0 to 3 “g”) from 9 to 500 Hz	
Vibration: Housing and Sensor Mounting Codes DD, FF, HH, KK, MM, PP, RR, TT, and YY	10 m/s ² (1 “g”) maximum	

- a. Applies to Basic Transmitter Module only (Housing and Sensor Mounting Code BB) unless otherwise indicated.
- b. SIL mode operation is limited to a high temperature of 70 C (158 F). Also refer to Electrical Safety Specifications section for a restriction in ambient temperature with certain agency approvals/certifications.
- c. Normal Operating Conditions and Operative Limits are defined per ANSI/ISA 51.1-1979 (R1993).
- d. To ensure proper operation, the ambient temperature limits at the housing should not be exceeded. This is particularly relevant when sensors/thermowells are directly connected to the housing and very high process temperatures are being measured. The transfer of heat from the process to the housing can be minimized by use of thermowell extensions, or in extreme cases, by using a remote housing installation.
- e. When mounted in available housings with covers on.
- f. Refer to Figure 4 for supply voltage vs. external loop load limitations graph.

ELECTROMAGNETIC COMPATIBILITY (EMC)

CE Compliance

Electromagnetic compatibility in accordance with all the relevant requirements of the EN 61326 series and NAMUR Recommendation EMC (NE21). For details refer to the Declaration of Conformity. All tests were passed both with and without ongoing digital HART® communication.

Table 1. Electromagnetic Compatibility (EMC) (a)

ESD (Electrostatic Charge)	EN/IEC 61000-4-2		6 kV cont., 8 kV air
Electromagnetic Fields	EN/IEC 61000-4-3	0.08 to 2.7 GHz	10 V/m
Burst (Fast Transients)	EN/IEC 61000-4-4		2 kV
Surge (Surge Voltage)	EN/IEC 61000-4-5		0.5 kV sym. 1 kV assym.
Conducted RF	EN/IEC 61000-4-6	0.01 to 80 MHz	10 V

a. Maximum measured error < 1% of the measuring range.

PERFORMANCE SPECIFICATIONS

In order to obtain the established values in °F, the results in °C must be multiplied by a factor of 1.8.

Response Time

The measured value update depends on the type of sensor and connection method and moves within the ranges shown in Table 2.

Table 2. Response Time

Resistance Thermometer (RTD)	0.9 to 0.13 s (depends on the connection method 2/3/4-wire)
Thermocouples (TC)	0.8 s
Reference Temperature	0.9 s

When recording step responses, it must be taken into account that the times for the measurement of the second channel and the internal reference measuring point are added to the specified times where applicable.

Reference Conditions

- ▶ Calibration temperature: +25°C±3 K
(+77°F±5.4°F)
- ▶ Supply voltage: 24 V dc
- ▶ 4-wire circuit for resistance adjustment

Maximum Measured Error and Repeatability

According to DIN EN 60770. The data concerning the various measured errors are typical values and correspond to a standard deviation of $\pm 2 s$ (Gaussian normal distribution).

Overall measured error of the device at current output = digital measured error + measured error D/A. See Table 3 and Table 4.

Table 3. Maximum Measured Error and Repeatability (RTD or Ω)

Resistance Thermometer (RTD) According to Standard	Designation	Measuring Range Limits	Measured Error (\pm)		Repeatability (\pm)	
			Digital (a)	D/A (b)	Digital (a)	D/A (c)
IEC 60751:2008	Pt100 (1)	-200 to +850°C (-328 to +1562°F)	≤ 0.14 K (0.25°F)	0.03%	≤ 0.05 K (0.09°F)	0.01% ($\triangleq 2 \mu\text{A}$)
	Pt200 (2)		≤ 0.86 K (1.55°F)		≤ 0.13 K (0.23°F)	
	Pt500 (3)	-200 to +500°C (-328 to +932°F)	≤ 0.30 K (0.54°F)		≤ 0.08 K (0.14°F)	
	Pt1000 (4)	-200 to +250°C (-328 to +482°F)	≤ 0.14 K (0.25°F)		≤ 0.05 K (0.09°F)	
JIS C1604:1984	Pt100 (5)	-200 to +510°C (-328 to +950°F)	≤ 0.12 K (0.22°F)		≤ 0.04 K (0.07°F)	
DIN 43760 IPTS-68	Ni100 (6)	-60 to +250°C (-76 to +482°F)	≤ 0.09 K (0.16°F)		≤ 0.03 K (0.05°F)	
	Ni120 (7)		≤ 0.07 K (0.13°F)			
GOST	Pt50 (8)	-185 to +1100°C (-301 to +2012°F)	≤ 0.30 K (0.54°F)		≤ 0.05 K (0.09°F)	
	Pt100 (9)	-200 to +850 °C (-328 to +1562°F)	≤ 0.14 K (0.25°F)		≤ 0.07 K (0.13°F)	
OIML R84: 2003, GOST 6651-2009	Cu50 (10)	-180 to +200°C (-292 to +392°F)	≤ 0.19 K (0.34°F)		≤ 0.04 K (0.07°F)	
	Cu100 (11)	-180 to +200°C (-292 to +392°F)	≤ 0.09 K (0.16°F)		≤ 0.03 K (0.05°F)	
	Ni100 (12)	-60 to +180°C (-76 to +356°F)	≤ 0.09 K (0.16°F)		≤ 0.07 K (0.13°F)	
	Ni120 (13)	-60 to +180°C (-76 to +356°F)				
OIML R84: 2003, GOST 6651-94	Cu50 (14)	-50 to +200°C (-58 to +392°F)	≤ 0.19 K (0.34°F)		15 m Ω ≤ 200 m Ω	
Resistance transmitters	Resistance Ω	10 to 400 Ω 10 to 2000 Ω	40 Ω 500 Ω	15 m Ω ≤ 200 m Ω		

- a. Using HART® transmitted measured value.
- b. Percentage data refer to the configured span of the analog output signal.
- c. Percentage data refer to the current range of the analog output signal (20 mA).

Table 4. Maximum Measured Error and Repeatability (TC or mV)

Thermocouples (TC) According to Standard	Designation	Measuring Range Limits (a)	Measured Error (±)		Repeatability (±)	
			Digital (b)	D/A (c)	Digital (b)	D/A (d)
IEC 60584, part 1	Type A (W5Re-W20Re) (30)	0 to 2500 °C (+32 to + 4532°F)	≤ 1.62 K (2.92°F)	0.03%	≤ 0.52 K (0.94°F)	0.01% (± 2µA)
	Type B (PtRh30-PtRh6) (31)	+500 to +1820°C (+932 to +3308°F)	≤ 2.02 K (3.64°F)		≤ 0.67 K (1.21°F)	
	Type E (NiCr-CuNi) (34)	-40 to +1000°C (-40 to +1832°F)	≤ 0.21 K (0.38°F)		≤ 0.07 K (0.13°F)	
	Type J (Fe-CuNi) (35)	-40 to +1200°C (-40 to +2192°F)	≤ 0.26 K (0.47°F)		≤ 0.08 K (0.14°F)	
	Type K (NiCr-Ni) (36)	-40 to +1200°C (-40 to +2192°F)	≤ 0.32 K (0.58°F)		≤ 0.11 K (0.20°F)	
	Type N (NiCrSi-NiSi) (37)	-40 to +1300°C (-40 to +2372°F)	≤ 0.43 K (0.77°F)		≤ 0.16 K (0.29°F)	
	Type R (PtRh13-Pt) (38)	0 to +1768°C (+32 to +3214°F)	≤ 1.92 K (3.46°F)		≤ 0.76 K (1.37°F)	
	Type S (PtRh10-Pt) (39)	0 to +1768°C (+32 to +3214°F)	≤ 1.9 K (3.42°F)		≤ 0.74 K (1.33°F)	
	Type T (Cu-CuNi) (40)	-40 to +400°C (-40 to +752°F)	≤ 0.32 K (0.58°F)		≤ 0.11 K (0.20°F)	
IEC 60584, part 1; ASTM E988-96	Type C (W5Re-W26Re) (32)	0 to +2000°C (+32 to +3632°F)	≤ 0.86 K (1.55°F)		≤ 0.33 K (0.59°F)	
ASTM E988-96	Type D (W3Re-W25Re) (33)	0 to +2000°C (+32 to +3632°F)	≤ 1.05 K (1.89°F)		≤ 0.41 K (0.74°F)	
DIN 43710	Type L (Fe-CuNi) (41)	+50 to +900°C (+122 to +1652°F)	≤ 0.26 K (0.47°F)		≤ 0.07 K (0.13°F)	
	Type U (Cu-CuNi) (42)	+50 to +600°C (+122 to +1112°F)	≤ 0.24 K (0.43°F)		≤ 0.10 K (0.18°F)	
GOST R8.8585-2001	Type L (NiCr-CuNi) (43)	-200 to +800°C (-328 to +1472°F)	≤ 2.27 K (4.09°F)		≤ 0.15 K (0.27°F)	
Voltage transmitters	Millivolt transmitter (mV)	-20 to 100 mV	10 µV		4 µV	

- a. Ranges over which stated Error and Repeatability apply. Input may be configured to wider range. See Table 11 for Configurable Measuring Range Limits.
- b. Using HART® transmitted measured value.
- c. Percentage data refer to the configured span of the analog output signal.
- d. Percentage data refer to the current range of the analog output signal (20 mA).

Sample Calculation

Table 5 shows a sample calculation with Pt100, measuring range 0 to +200°C (+32 to +392°F), ambient temperature 25°C (77°F), supply voltage 24 V.

Table 5. Sample Calculation

Measured Error Digital	0.14 K (0.25°F)
Repeatability Digital	0.05 K (0.09°F)
Measured error D/A = 0.03% of 200 K (360°F)	0.06 K (0.108°F)
Repeatability D/A = 0.01% of 200 K (360°F)	0.02 K (0.036°F)
Measured error digital value (HART): $\sqrt{\text{(Measured error digital}^2 + \text{repeatability}^2)}$	0.15 K (0.27°F)
Measured error analog value (current output): $\sqrt{\text{(Measured error digital}^2 + \text{repeatability}^2 + \text{Measured error D/A}^2)}$	0.16 K (0.29°F)

Table 6. Physical Input Measuring Range of Sensors

10 to 400 Ω	Cu50, Cu100, polynomial RTD, Pt50, Pt100, Ni100, Ni120
10 to 2000	Pt200, Pt500, Pt1000
-20 to 100 mV	Thermocouples type: A, B, C, D, E, J, K, L, N, R, S, T, U

In the SIL mode, other measured errors are applied.

Sensor Adjustment

Sensor Transmitter Matching

RTD sensors are one of the most linear temperature measuring elements. Nevertheless, the output must be linearized. To significantly improve temperature measurement accuracy, the device allows the use of two methods:

- ▶ Callendar-Van-Dusen coefficients (Pt100 resistance thermometer)
The Callendar-Van-Dusen equation is described as:

$$RT = R0[1+AT+BT^2+C(T-100)T^3]$$

The coefficients A, B and C are used to match the sensor (platinum) and transmitter in order to improve the accuracy of the measuring system. The coefficients for a standard sensor are specified in IEC 751. If no standard sensor is available or if greater accuracy is required, the coefficients for each sensor can be determined specifically with the aid of sensor calibration.

- ▶ Linearization for copper/nickel resistance thermometers (RTD)
The polynomial equation for copper/nickel is as follows:

$$RT = R0(1+AT+BT^2)$$

The coefficients A and B are used for the linearization of nickel or copper resistance thermometers (RTD). The exact values of the coefficients derive from the calibration data and are specific to each sensor. The sensor-specific coefficients are then sent to the transmitter.

Sensor transmitter matching using one of the methods explained above significantly improves the temperature measurement accuracy of the entire system. This is because the transmitter uses the specific data pertaining to the connected sensor to calculate the measured temperature, instead of using the standardized sensor curve data.

1-point adjustment (offset)

Shifts the sensor value

2-point adjustment (sensor trimming)

Correction (slope and offset) of the measured sensor value at transmitter input

Content Output Adjustment

Correction of the 4 or 20 mA current output value (not possible in the SIL mode).

Operational Influences

The data concerning the various measured errors are typical values and correspond to a standard deviation of $\pm 2 \text{ s}$ (Gaussian normal distribution). Over-all measured error of the device at current output = digital measured error + measured error D/A. See Table 7.

Considered operational influences:

- Long term drift
- Influence of ambient temperature
- Influence of the supply voltage

Table 7. Operational Influences (RTD or Ω)

Resistance Thermometer (RTD) According to Standard	Designation	Ambient Temperature: Effect (\pm) When Ambient Temperature Changes by 1°C (1.8 °F)		Supply Voltage: Effect (\pm) When Supply Voltage Changes by 1 V		Long Term Drift: Effect (\pm) Per Year			
		Digital (a)	D/A (b)	Digital (a)	D/A (b)	Digital (a)	D/A (b)		
2-, 3-, 4-wire RTD		Digital (a)	D/A (b)	Digital (a)	D/A (b)	Digital (a)	D/A (b)		
IEC 60751:2008	Pt100 (1)	≤ 0.02 K (0.04 °F)	0.001%	≤ 0.02 K (0.04°F)	0.001%	≤ 0.16 K (0.29°F)	0.017%		
	Pt200 (2)	≤ 0.03 K (0.05 °F)		≤ 0.03 K (0.05°F)		≤ 0.5 K (0.9°F)			
	Pt500 (3)	≤ 0.01 K (0.02°F)		≤ 0.01 K (0.02°F)		≤ 0.2 K (0.36°F)			
	Pt100 (4)					≤ 0.1 K (0.18°F)			
JIS C1604:1984	Pt100 (5)					≤ 0.14 K (0.25°F)			
DIN 43760 IPTS-68	Ni100 (6)					≤ 0.1 K (0.18°F)			
	Ni120 (7)								
GOST 6651-94	Pt50 (8)	≤ 0.03 K (0.05°F)				≤ 0.03 K (0.05°F)			≤ 0.4 K (0.72°F)
	Pt100 (9)	≤ 0.02 K (0.04°F)				≤ 0.02 K (0.04°F)			≤ 0.16 K (0.29°F)
OIML R84: 2003, GOST 6651-2009	Cu 50 (10)	≤ 0.01 K (0.02°F)				≤ 0.01 K (0.02°F)			≤ 0.23 K (0.41°F)
	Cu100 (11)								≤ 0.12 K (0.22°F)
	Ni100 (12)								≤ 0.12 K (0.22°F)
	Ni120 (13)								≤ 0.09 K (0.16°F)
OIML R84: 2003, GOST 6651-94	Cu50 (14)								≤ 0.23 K (0.41°F)
Resistance transmitters	10 to 400 Ω	≤ 6 m Ω		≤ 6 m Ω		48 m Ω			
	10 to 2000 Ω	≤ 30 m Ω		≤ 30 m Ω		290 m Ω			

- a. Using HART® transmitted measured value.
- b. Percentage data refer to the configured span of the analog output signal.

Table 8. Operational Influences (TC or mV)

Thermocouples (TC) According to Standard	Designation	Ambient Temperature: Effect (\pm) When Ambient Temperature Changes by 1°C (1.8 °F)		Supply Voltage: Effect (\pm) When Supply Voltage Changes by 1 V		Long Term Drift: Effect (\pm) Per Year	
		Digital (a)	D/A (b)	Digital (a)	D/A (b)	Digital (a)	D/A (b)
IEC 60584, part 1	Type A (W5Re-W20Re) (30)	≤ 0.13 K (0.23°F)	0.001%	≤ 0.13 K (0.23°F)	0.001%	≤ 1.3 K (2.34°F)	0.017%
	Type B (PtRh30-PtRh6) (31)	≤ 0.01 K (0.02°F)		≤ 0.01 K (0.02°F)		≤ 1.7 K (3.06°F)	
	Type E (NiCr-CuNi) (34)	≤ 0.03 K (0.05°F)		≤ 0.03 K (0.05°F)		≤ 0.2 K (0.36°F)	
	Type J (Fe-CuNi) (35)	≤ 0.04 K (0.07°F)		≤ 0.04 K (0.07°F)			
	Type K (NiCr-Ni) (36)	≤ 0.04 K (0.07°F)		≤ 0.04 K (0.07°F)		≤ 0.3 K (0.54°F)	
	Type N (NiCrSi-NiSi) (37)					≤ 0.4 K (0.72°F)	
	Type R (PtRh13-Pt) (38)	≤ 0.01 K (0.02°F)		≤ 0.05 K (0.09°F)		≤ 1.9 K (3.42°F)	
	Type S (PtRh10-Pt) (39)						
Type T (Cu-CuNi) (40)	≤ 0.01 K (0.02°F)		≤ 0.01 K (0.02°F)		≤ 0.3 K (0.54°F)		
IEC 60584, part 1; ASTM E988-96	Type C (W5Re-W26Re) (32)	≤ 0.08 K (0.14°F)		≤ 0.08 K (0.14°F)		≤ 0.8 K (1.44°F)	
ASTM E988-96	Type D (W3Re-W25Re) (33)					≤ 1 K (1.8°F)	
DIN 43710	Type L (Fe-CuNi) (41)	≤ 0.03 K (0.05°F)		≤ 0.03 K (0.05°F)		≤ 0.2 K (0.36°F)	
	Type U (Cu-CuNi) (42)	≤ 0.02 K (0.04°F)		≤ 0.02 K (0.04°F)		≤ 0.3 K (0.54°F)	
GOST R8.8585-2001	Type L (NiCr-CuNi) (43)	≤ 0.03 K (0.05°F)		≤ 0.03 K (0.05°F)		≤ 0.4 K (0.72°F)	
Voltage transmitters	Millivolt transmitter (mV)	$\leq 3\mu\text{V}$		$\leq 3\mu\text{V}$		$\leq 10\mu\text{V}$	

a. Using HART® transmitted measured value.

b. Percentage data refer to the configured span of the analog output signal.

Sample Calculation

Table 9 shows a sample calculation with Pt100, measuring range 0 to +200 °C (+32 to +392 °F), ambient temperature 35 °C (95 °F), supply voltage 30 V.

Table 9. Sample Calculation

Measured Error Digital	0.14 K (0.25°F)
Repeatability Digital	0.05 K (0.09°F)
Measured error D/A = 0.03% of 200 K (360°F)	0.06 K (0.108°F)
Repeatability D/A = 0.01% of 200 K (360°F)	0.02 K (0.036°F)
Influence of ambient temperature (digital), 0.02°C/K: (35°C - 25°C) x 0.02°C/K	0.2 K (0.36°F)
Influence of ambient temperature (D/A), 0.001%/K: (35°C - 25°C) x (0.001% of 200°C)	0.02 K (0.036°F)
Influence of supply voltage (digital), 0.02 K/V: (30 V - 24 V) x 0.02 K/V	0.12 K (0.216°F)
Influence of supply voltage (D/A), 0.001%/V: (30 V - 24 V) x (0.001% of 200°C)	0.012 K (0.0216°F)
Measured error digital value (HART): $\sqrt{(\text{Measured error digital}^2 + \text{repeatability}^2 + \text{influence of ambient temperature (digital)}^2 + \text{influence of supply voltage (digital)}^2)}$	0.28 K (0.50°F)
Measured error analog value (current output): $\sqrt{(\text{Measured error digital}^2 + \text{repeatability}^2 + \text{influence of ambient temperature (digital)}^2 + \text{influence of ambient temperature (D/A)}^2 + \text{influence of supply voltage (digital)}^2 + \text{influence of supply voltage (D/A)}^2)}$	0.29 K (0.52°F)

Influence of the Reference Junction (Internal Cold Junction)

Pt100 DIN IEC 60751 Cl. B (internal cold junction with thermocouples TC).

FUNCTIONAL SPECIFICATIONS

Table 10. Input Types, Ranges, and Limits (RTD or Ω)

Resistance Thermometer (RTD) as Per Standard	Designation	a	Measuring Range Limits	Min Span
IEC 60751:2008	Pt100 (1) Pt200 (2) Pt500 (3) Pt1000 (4)	0.003851	-200 to +850°C (-328 to +1562°F) -200 to +850°C (-328 to +1562°F) -200 to +500°C (-328 to +932°F) -200 to +250°C (-328 to +482°F)	10 K (18°F)
JIS C1604:1984	Pt100 (5)	0.003916	-200 to +510°C (-328 to +950°F)	10 K (18°F)
DIN 43760 IPTS-68	Ni100 (6) Ni120 (7)	0.006180	-60 to +250°C (-76 to +482°F) -60 to +250°C (-76 to +482°F)	10 K (18°F)
GOST 6651-94	Pt50 (8) Pt100 (9)	0.003910	-185 to +1100°C (-301 to +2012°F) -200 to +850°C (-328 to +1562°F)	10 K (18°F)
OIML R84: 2003, GOST 6651-2009	Cu50 (10) Cu100 (11)	0.004280	-180 to +200°C (-292 to +392°F) -180 to +200°C (-292 to +392°F)	10 K (18°F)
	Ni100 (12) Ni120 (13)	0.006170	-60 to +180°C (-76 to +356°F) -60 to +180°C (-76 to +356°F)	10 K (18°F)
OIML R84: 2003, GOST 6651-94	Cu50 (14)	0.004260	-50 to +200°C (-58 to +392°F)	10 K (18°F)
-	Pt100 (Callendar- van Dusen)	-	The measuring range limits are specified by entering the limit values that depend on the coefficients A to C and R0.	10 K (18°F)
-	Nickel Polynomial	-		
-	Copper Polynomial	-		
	<ul style="list-style-type: none"> ▶ Type of connection: 2-wire, 3-wire or 4-wire connection, sensor current: ≤ 0.3 mA ▶ With 2-wire circuit, compensation of wire resistance possible (0 to 30 Ω) ▶ With 3-wire and 4-wire connection, sensor wire resistance up to max. 50 Ω per wire 			
Resistance Transmitter	Resistance Ω		10 and 400 Ω 10 and 2000 Ω	10 Ω 10 Ω

Table 11. Input Types, Ranges, and Limits (TC or mV)

Thermocouples (TC) as Per Standard	Designation	Configurable Measuring Range Limits		Min Span
IEC 60584, Part 1	Type A (W5Re-W20Re)(30) Type B (PtRh30-PtRh6)(31) Type E (NiCr-CuNi) (34) Type J (Fe-CuNi) (35) Type K (NiCr-Ni) (36) Type N (NiCrSi-NiSi) (37) Type R (PtRh13-Pt) (38) Type S (PtRh10-Pt) (39) Type T (Cu-CuNi) (40)	0 to +2500°C (+32 to +4532°F) +40 to +1820°C (+104 to +3308°F) -270 to +1000°C (-454 to +1832°F) -210 to +1200°C (-346 to +2192°F) -270 to +1372°C (-454 to +2501°F) -270 to +1300°C (-454 to +2372°F) -50 to +1768°C (-58 to +3214°F) -50 to +1768°C (-58 to +3214°F) -260 to +400°C (-436 to +752°F)	Recommended temperature range: 0 to +2500°C (+32 to +4532°F) +100 to +1500°C (+212 to +2732°F) 0 to +750°C (+32 to +1382°F) +20 to +700°C (+68 to +1292°F) 0 to +1 100°C (+32 to +2012°F) 0 to +1 100°C (+32 to +2012°F) 0 to +1 400°C (+32 to +2552°F) 0 to +1 400°C (+32 to +2552°F) -185 to +350°C (-301 to +662°F)	50 K (90°F)
IEC 60584, Part 1; ASTM E988-96	Type C (W5Re-W26Re) (32)	0 to +2315°C (+32 to +4199°F)	0 to +2000°C (+32 to +3632°F)	50 K (90°F)
ASTM E988-96	Type D (W3Re-W25Re) (33)	0 to +2315°C (+32 to +4199°F)	0 to +2000°C (+32 to +3632°F)	50 K (90°F)
DIN 43710	Type L (Fe-CuNi) (41) Type U (Cu-CuNi) (42)	-200 to +900°C (-328 to +1652°F) -200 to +600°C (-328 to +1112°F)	0 to +750°C (+32 to +1382°F) -185 to +400°C (-301 to +752°F)	50 K (90°F)
GOST R8.8585-2001	Type L (NiCr-CuNi) (43)	Type L (NiCr-CuNi) (43) -200 to +800°C (-328 to +1472°F)	0 to +750°C (+32 to +1382°F)	50 K (90°F)
	<ul style="list-style-type: none"> ▶ Internal cold junction (Pt100) ▶ External cold junction: configurable value -40 to +85°C (-40 to +185°F) ▶ Max. sensor resistance k10 kΩ (if sensor resistance is greater than 10 kΩ, an error message as per NAMUR NE89 is output) 			
Voltage Transmitter (mV)	Millivolt Transmitter (mV)	-20 to 100 mV		5 mV

Table 12. Input Wiring Types

		Sensor Input 1			
		RTD or Resistance Transmitter, 2-wire	RTD or Resistance Transmitter, 3-wire	RTD or Resistance Transmitter, 4-wire	Thermocouple (TC), Voltage Transmitter
Sensor Input 2	RTD or Resistance Transmitter, 2-Wire	OK	OK	—	OK
	RTD or Resistance Transmitter, 3-Wire	OK	OK (a)	—	OK (a)
	RTD or Resistance Transmitter, 4-Wire	—	—	—	—
	Thermocouple (TC), Voltage Transmitter	OK	OK (a)	OK (a)	OK (a)

a. Wiring types are permitted in SIL mode.

Figure 2. Input Connections – Basic Transmitter and Universal Housing

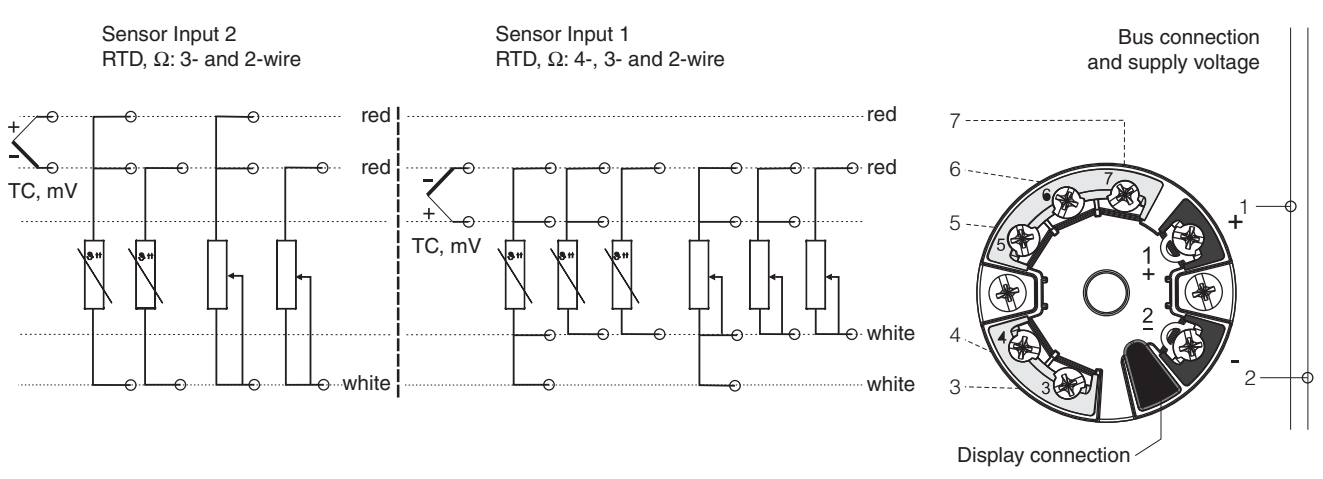


Figure 3. Dual Compartment Housing Wiring from the Terminal Block to the Module

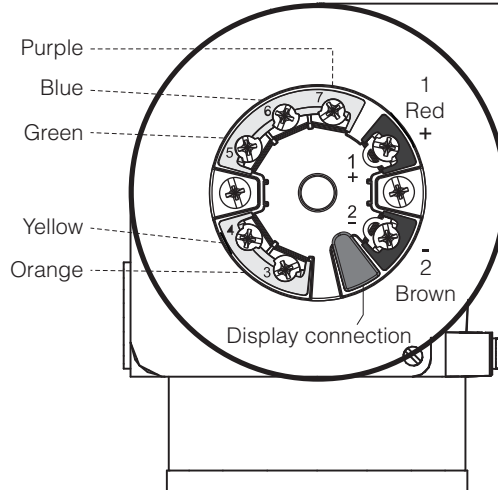


Table 13. Output Signal

Characteristic	Output
Analog Output	4 to 20 mA, 20 to 4 mA (can be inverted)
Signal Encoding	FSK \pm 0.5 mA via current signal
Data Transmission Rate	1200 baud
Galvanic Isolation	U = 2 kV AC (input/output)
Linearization/Transmission Behavior	Temperature-linear, resistance-linear, voltage-linear
Network Frequency Filter	50/60 Hz
Filter	1st Order Digital Filter: 0 to 120 s

HART Protocol Data

Protocol-Specific Data

HART Version	7
Device Address in the Multi-Drop Mode (a)	Software Setting Addresses 0 to 63
Device Description Files (DD)	Information and files are available free of charge at: www.hartcomm.org
Load (Communication Resistor)	min. 250 Ω

a. Not possible in the SIL mode.

Write Protection for Device Parameters

Hardware: Write protection for head transmitter on optional display using DIP switch

Software: Write protection using password

Switch-On Delay

- Until start of HART communication, approximately 10 s), with switch-on delay = $I_a \leq 3.8$ mA.
- Until the first valid measured value signal is present at the current output, approximately 28 s, with switch-on delay = $I_a \leq 3.8$ mA.

Supply Voltage Requirements and External Loop Load Limitations

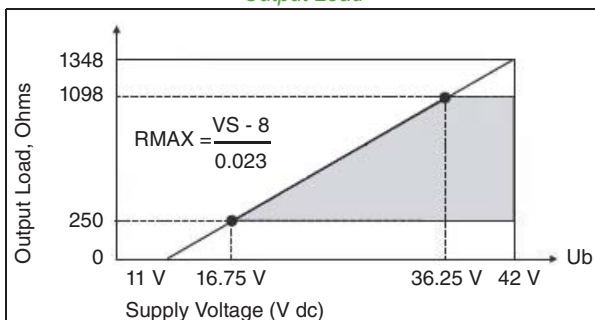
HART 4 to 20 mA Output with a Superimposed Digital Signal

Nominal Supply Voltage:

- ▶ Normal mode: 11 - 42 V dc
- ▶ SIL mode: 11 - 32 V dc

See Figure 4 for a plot of supply voltage vs output load.

Figure 4. HART 4 to 20 mA Output Supply Voltage vs. Output Load



NOTE

The transmitter will function with an output load less than 250 Ω provided that a HART Communicator or PC-based Configurator is not connected to it. Use of a HART Communicator or PC-based Configurator requires 250 Ω minimum load.

Sensor Types

Though all of the sensors listed under Input Types in Table 4 are supported, the following sensors can be ordered factory-mounted to the transmitter housing (see PSS 3-3e1 a).

- Thermocouple, Type E
- Thermocouple, Type J
- Thermocouple, Type K
- Thermocouple, Type N
- Thermocouple, Type T
- 3-wire RTD, 100 ohm platinum IEC 751 (ASTM-B standard accuracy)
- 4-wire RTD, 100 ohm platinum IEC 751 (ASTM-B standard accuracy)
- 3-wire RTD, 100 ohm platinum IEC 751 (ASTM-A high accuracy)
- 4-wire RTD, 100 ohm platinum IEC 751 (ASTM-A high accuracy)
- 3-wire RTD, Callendar-van Dusen

Thermocouple Cold Junction Compensation

- ▶ Internal cold junction (Pt100)
- ▶ External cold junction: configurable value – 40 to +85°C (–40 to +185°F)
- ▶ Max. sensor resistance 10 kΩ (if sensor resistance is greater than 10 kΩ, an error message as per NAMUR NE89 is output)

Sensor/Transmitter Matching

RTD sensors are one of the most linear temperature measuring elements. Nevertheless, the output must be linearized. To significantly improve temperature measurement accuracy, the device allows the use of two methods:

- Callendar-Van-Dusen coefficients (Pt100 resistance thermometer)

The Callendar-Van-Dusen equation is described as:

$$RT = R0[1+AT+BT^2+C(T-100)T^3]$$

The coefficients A, B and C are used to match the sensor (platinum) and transmitter in order to improve the accuracy of the measuring system. The coefficients for a standard sensor are specified in IEC 751. If no standard sensor is available or if greater accuracy is required, the coefficients for each sensor can be determined specifically with the aid of sensor calibration.

- Linearization for copper/nickel resistance thermometers (RTD)

The polynomial equation for copper/nickel is as follows:

$$RT = R0(1+AT+BT^2)$$

The coefficients A and B are used for the linearization of nickel or copper resistance thermometers (RTD). The exact values of the coefficients derive from the calibration data and are specific to each sensor. The sensor-specific coefficients are then sent to the transmitter.

Sensor transmitter matching using one of the methods explained above significantly improves the temperature measurement accuracy of the entire system. This is because the transmitter uses the specific data pertaining to the connected sensor to calculate the measured temperature, instead of using the standardized sensor curve data.

NOTE

When the factory-mounted Callendar-van Dusen sensor option is ordered with the RTT80, coefficients will be configured in the transmitter at the factory.

Multidrop Mode (Fixed Current)

This mode supports communications with up to 15 transmitters on a single pair of signal/power wires. The output signal is updated 4 times per second. A minimum loop load of 250 ohms is required.

Table 14. HART Communication Parameters

Parameter	HART	
	Analog Mode	Multidrop Mode
Remote Configurator	HART Communicator or PC-based Configurator	
Communication Rate	1200 baud	1200 baud
Communication Distance (Rated)	3050 m (10 000 ft)	1525 m (5000 ft)

Figure 5. HART 4 to 20 mA Output Block Diagram
(One Transmitter)

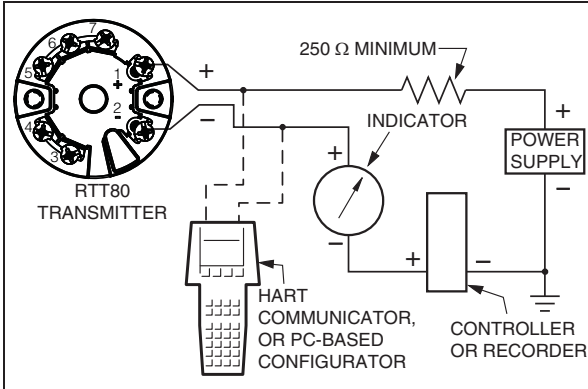


Figure 6. Typical W-Series and T-Series
Thermowells Shown



Thermowells

The thermowells listed in the Model Code are popular selections for industrial use. In addition, Invensys offers other high quality, polished thermowells in a variety of configurations, materials, and sizes. Most application requirements can be met by choosing from the wide selection offered.

Specify Thermowell Code TX and see PSS 3-3C1 A for Type W Thermowells, and PSS 3-3D1 A for Type T Thermowells, or contact Invensys. See Figure 6 for a small sample of thermowells available.

PHYSICAL SPECIFICATIONS

Transmitter Housings

Housing Code	Material and Finish	IEC/NEMA Rating	Explosion-proof and Flameproof	Mounting Configuration	Field Wiring Entrances on Housing
Basic Module					
BB	Encapsulated plastic	IP20 (a)	No	Basic Transmitter Module (b) (DIN Form B package)	None
Universal Housing					
LL	Low copper aluminum alloy; epoxy coated	IP66/67 NEMA 4X	Yes	Universal housing with integral sensor and thermowell	1/2 NPT (c)
MM	Stainless steel	IP66/67 NEMA 4X	Yes	Universal housing with integral sensor and thermowell	1/2 NPT (c)
SS	Low copper aluminum alloy; epoxy coated	IP66/67 NEMA 4X	Yes	Universal housing for surface or pipe mounting, remote sensor (d)	1/2 NPT (c)
TT	Stainless steel	IP66/67 NEMA 4X	Yes	Universal housing for surface or pipe mounting, remote sensor (d)	1/2 NPT (c)
WW	Low copper aluminum alloy; epoxy coated	IP66/67 NEMA 4X	Yes	Universal housing with integral bare sensor	1/2 NPT (c)
YY	Stainless steel	IP66/67 NEMA 4X	Yes	Universal housing with integral bare sensor	1/2 NPT (c)
Dual Compartment Housing					
CC	Low copper aluminum alloy; epoxy coated	IP66/67 NEMA 4X	Yes	Dual-compartment housing with integral bare sensor	M20
DD	Stainless steel	IP66/67 NEMA 4X	Yes	Dual-compartment housing with integral bare sensor	M20
EE	Low copper aluminum alloy; epoxy coated	IP66/67 NEMA 4X	Yes	Dual-compartment housing with integral sensor and thermowell	M20
FF	Stainless steel	IP66/67 NEMA 4X	Yes	Dual-compartment housing with integral sensor and thermowell	M20
GG	Low copper aluminum alloy; epoxy coated	IP66/67 NEMA 4X	Yes	Dual-compartment housing for surface or pipe mounting, remote sensor (d)	M20
HH	Stainless steel	IP66/67 NEMA 4X	Yes	Dual-compartment housing for surface or pipe mounting, remote sensor (d)	M20
JJ	Low copper aluminum alloy; epoxy coated	IP66/67 NEMA 4X	Yes	Dual-compartment housing with integral bare sensor	1/2 NPT
KK	Stainless steel	IP66/67 NEMA 4X	Yes	Dual-compartment housing with integral bare sensor	1/2 NPT
NN	Low copper aluminum alloy; epoxy coated	IP66/67 NEMA 4X	Yes	Dual-compartment housing with integral sensor and thermowell	1/2 NPT
PP	Stainless steel	IP66/67 NEMA 4X	Yes	Dual-compartment housing with integral sensor and thermowell	1/2 NPT

Transmitter Housings (Continued)

Housing Code	Material and Finish	IEC/NEMA Rating	Explosion-proof and Flameproof	Mounting Configuration	Field Wiring Entrances on Housing
QQ	Low copper aluminum alloy; epoxy coated	IP66/67 NEMA 4X	Yes	Dual-compartment housing for surface or pipe mounting, remote sensor (d)	1/2 NPT
RR	Stainless steel	IP66/67 NEMA 4X	Yes	Dual-compartment housing for surface or pipe mounting, remote sensor (d)	1/2 NPT

- a. The basic module, although encapsulated, has exposed terminals not protected from the environment.
- b. The basic module is typically used for replacement and spares purposes; it can also be mounted to a surface or to a DIN rail using a clip (Option -D1).
- c. Optional conduit threads available; see Model Code.
- d. Surface or pipe mounted using mounting set options -M1 or -M2.

Mounting

The basic transmitter module can be mounted to a DIN rail using the optional mounting clip and self-tapping screw provided by Invensys. The basic module can also be mounted to a surface using user-supplied hardware. See “DIMENSIONS – NOMINAL” on page 28.

The transmitter enclosed in the universal or dual compartment housing (without integral sensors) can be remote mounted to a surface or nominal DN 50 or 2-inch pipe using an optional mounting bracket.

Dimensions

Refer to “DIMENSIONS – NOMINAL” on page 28 and to the Dimensional Print DP 020-580.

Approximate Transmitter Mass

Housing Codes	Housing Material	Direct or Remote Mounting	Approximate Mass			
			Standard		With Optional Display	
			kg	lb	kg	lb
Basic Transmitter Module						
BB	N/A	N/A	0.05	0.11	0.01	0.02
Universal Housing						
LL (a)	Aluminum	Direct	1.4	3.1	1.4	3.1
WW (b)		Remote				
SS (c)						
MM (a)	316 ss	Direct	3.2	7.1	3.2	7.1
YY (b)		Remote				
TT (c)						
Dual Compartment Housing						
EE and NN (a) CC and JJ (b)	Aluminum	Direct	1.3	2.8	1.3	2.8
GG and QQ (c)		Remote	1.3	2.8	1.3	2.9
FF and PP (a) DD and KK (b)	316 ss	Direct	2.9	6.4	2.9	6.5
HH and RR (c)		Remote	2.9	6.5	3.0	6.6

- a. Includes module, but sensor and thermowell mass and connecting hardware not included.
- b. Includes module, but bare sensor mass and connecting hardware not included.
- c. Surface or pipe mount housing; remote sensor.

ELECTRICAL SAFETY SPECIFICATIONS

The transmitter has been designed to meet the Electrical Safety descriptions listed in the table below. Contact Global Customer Support for information on status of testing laboratory approvals or certifications. Refer to the Instruction Manual for application conditions and connectivity requirements.

Testing Laboratory, Type of Protection, and Area Classification	Model Code Option
Non-hazardous area	ZZ
CSA IS, I/1+2/ABCD	CA
CSA NI, 1/2/ABCD	CN
CSA Explosionproof, Class I, Division 1, BCD; Dust-ignitionproof, Class II, Division 1, EFG, Class III, Division 1. Also zone certified, Cl I, Zone 1, Ex d IIC (a)	CD
ATEX II 1G Ex ia IIC T4/T5/T6	AA
ATEX II 2 G Ex d T6 Gb Ta = -40°C to 70°C II 2 D Ex tb T85C Db (a)	AD
IECEX Ex ia IIC T4/T5/T6	EA
IECEX Ex d T6 Gb Ta = -40°C to 70°C Ex tb T85C Db (a)	ED
FM IS, I/1+2/ABCD	FA
FM NI, 1/2/ABCD	FN
FM Explosionproof, Class I, Division 1, Groups B, C, and D; Dust-ignitionproof, Class II, Division 1, Groups E, F, and G, Class III Division 1 (a)	FD

a. Not available with the basic module (Housing and Sensor Mounting Code BB).

MODEL CODE

<u>Description</u>	<u>Model</u>
I/A Series Temperature Transmitter	RTT80
<u>Communications</u>	
4 to 20 mA with HART digital communications	-T
<u>Input/Output Configuration</u>	
Configured for Single Sensor Input	1
Configured for Dual Sensor Input – PV is Sensor 1 (a)	2
Configured for Dual Sensor Input – PV is average of Sensor 1 and Sensor 2 (a)	3
Configured for Dual Sensor Input – PV is difference between Sensor 1 and Sensor 2 (a)	4
Configured for Dual Sensor Input – Sensor 2 is hot backup for Sensor 1 (a)	5
Configured for Dual Sensor Input – PV is average with sensor backup (a)	6
<u>Housing and Sensor Mounting</u>	
Basic Module for DIN Rail or Surface Mounting or Replacement	BB
Dual compartment aluminum housing, 1/2 NPT conduit with sensor (b)	JJ
Dual compartment ss housing, 1/2 NPT conduit with sensor (b)	KK
Dual compartment aluminum housing, 1/2 NPT conduit with sensor and thermowell mounting (b)	NN
Dual compartment ss housing, 1/2 NPT conduit with sensor and thermowell mounting (b)	PP
Dual compartment aluminum housing, 1/2 NPT conduit for use with remote sensor (c)	QQ
Dual compartment ss housing, 1/2 NPT conduit for use with remote sensor (c)	RR
Dual compartment aluminum housing, M20 conduit with sensor (b)	CC
Dual compartment ss housing, M20 conduit with sensor (b)	DD
Dual compartment aluminum housing, M20 conduit with sensor and thermowell mounting (b)	EE
Dual compartment ss housing, M20 conduit with sensor and thermowell mounting (b)	FF
Dual compartment aluminum housing, M20 conduit for use with remote sensor (c)	GG
Dual compartment ss housing, M20 conduit for use with remote sensor (c)	HH
Universal aluminum housing for use with remote sensor (c)	SS
Universal ss housing for use with remote sensor (c)	TT
Universal aluminum housing with bare sensor (b)	WW
Universal ss housing with bare sensor (b)	YY
Universal aluminum housing with sensor and thermowell mounting (b)	LL
Universal ss housing with sensor and thermowell mounting (b)	MM

MODEL CODE (CONTINUED)

Description	Model
Input Measurement Type (d)	
Thermocouple, Type B (e)	B
Thermocouple, Type C (e)	C
Thermocouple, Type D (e)	D
Thermocouple, Type E	E
Thermocouple, Type J	J
Thermocouple, Type K	K
Thermocouple, Type L (e)	L
Thermocouple, Type N	N
Thermocouple, Type R (e)	R
Thermocouple, Type S (e)	S
Thermocouple, Type T	T
Thermocouple, Type U (e)	U
2-wire RTD, 100 ohm platinum IEC 751 (ASTM-B Standard Accuracy) (e)	2
3-wire RTD, 100 ohm platinum IEC 751 (ASTM-B Standard Accuracy)	Q
4-wire RTD, 100 ohm platinum IEC 751 (ASTM-B Standard Accuracy) (f)	4
3-wire RTD, 100 ohm platinum IEC 751 (ASTM-A High Accuracy)	A
4-wire RTD, 100 ohm platinum IEC 751 (ASTM-A High Accuracy) (f)	6
3-wire RTD, 100 ohm nickel DIN 43760 (e)	F
Ohms input	P
Millivolt input	M
3-wire RTD Platinum (Callendar-van Dusen)	W
Other (factory configuration for an Input Measurement Type not listed above) (g)	Z
Thermowell Assembled to Housing	
No Thermowell or Thermowell is supplied separately (h)	NA
Thermowell Series "T" assembled to housing; specify child thermowell (i)	TK
Thermowell Series "W-" assembled to housing; specify "W-" model code (j)	TX
Hazardous Area Certifications (k)	
Non-hazardous area	ZZ
CSA IS, I/1+2/ABCD	CA
CSA NI, 1/2/ABCD	CN
CSA Explosionproof, Class I, Division 1, BCD; Dust-ignitionproof, Class II, Division 1, EFG, Class III, Division 1. Also zone certified, CL I, Zone 1, EX d IIC (l)	CD
ATEX II 1G Ex ia IIC T4/T5/T6	AA
ATEX II 2 G Ex d T6 Gb (l)	AD
IECEX Ex ia IIC T4/T5/T6 (l)	EA
IECEX Ex d T6 Gb (l)	ED
FM IS, I/1+2/ABCD	FA
FM NI, I/2/ABCD	FN
FM Explosionproof, Class I, Division 1, Groups B, C, and D; Dust-ignitionproof, Class II, Division 1, Groups E, F, and G, Class III Division 1 (l)	FD
Optional Selections	
Housing Features	
Custody Transfer Lock and Seal (l)	-A1
Metric M20 Conduit Adapter (1/2 NPT by M20x1.5) (m)	-A3
Housing Connection to Thermowell	
Stainless Steel Union and Fittings (n)	-S3

MODEL CODE (CONTINUED)

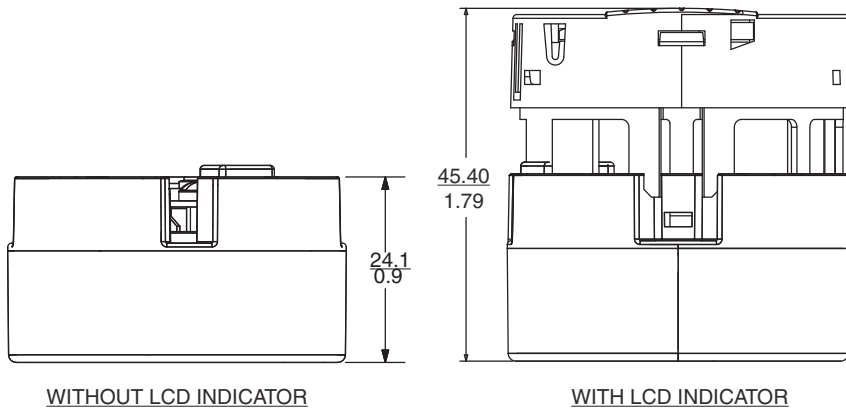
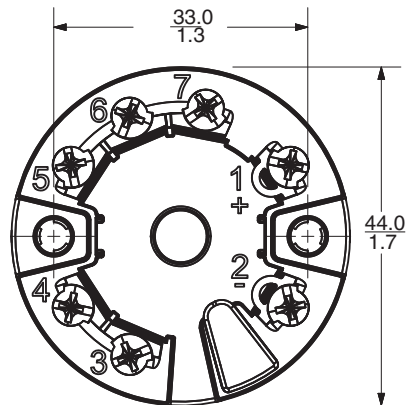
Description	Model
Mounting Sets	
Mounting Set for Universal Housing – Painted Steel (m)	-M1
Mounting Set for Universal Housing – Stainless Steel (m)	-M2
Mounting Set for Dual Compartment Housing – Painted Steel (o)	-M3
Mounting Set for Dual Compartment Housing – Stainless Steel (o)	-M4
Mounting Set for Dual Compartment Housing – Rugged Painted Steel (p)	-M5
Mounting Set for Dual Compartment Housing – Rugged Stainless Steel (p)	-M6
Clip for DIN rail mounting of the basic module	-D1
Other Optional Features	
SIL Certification (q)	-S2
Custom Database Configuration	-C2
Omit FoxDoc DVD-ROM	-K1
With Local Indicator	-L1
Cleaned and Prepared for Oxygen Service (l)	-C5
Wake Frequency Calculations (r)	-WF
NACE Compliant Thermowell (r) (s)	-N1

- a. Input measurement must be the same for both sensors. Dual 4-wire RTD is not permitted. Only Input 1 can be configured for 4-wire RTD.
- b. This option initiates the PRMTA configurable sensor model code. If you are ordering a PRMTA configurable sensor, be sure that the RTT80 Input Measurement Type ordered matches the PRMTA Configurable Sensor Input Measurement Type.
- c. Sensor ordered separately.
- d. Transmitter is factory configured for the measurement type specified whether the sensor is included or not. You can change the configuration to a different type using appropriate configuration software for the selected protocol, or specify -C2 Option for custom factory configuration. On dual sensor input (Sensor Input = 2), both inputs are configured the same, unless specified via the -C2 configuration form.
- e. Only available with the basic module or a module for use with a remote sensor (Housing and Sensor Mounting Codes BB, QQ, RR, GG, HH, SS, TT).
- f. Only available with single sensor input (Input/Output Configuration Code 1).
- g. This option requires selection of the Custom Database Configuration (Model Code Option -C2) under "Other Optional Features".
- h. This option is required for all housing options that are not configured for thermowells (Housing and Sensor Mounting Codes BB, JJ, KK, QQ, RR, CC, DD, GG, HH, SS, TT, WW, and YY).
- i. This option allows you to select a PRMTA configurable sensor with TT, TF, TS, or TW thermowell codes.
- j. Refer to PSS 3-3C1 A for available W Series thermowells.
- k. Transmitter has been designed to meet the Electrical Safety descriptions listed in this table. Contact Invensys for information and status of testing laboratory approvals or certifications
- l. Not available with the basic module (Housing and Sensor Mounting Code BB).
- m. Only available with universal housings (Housing and Sensor Mounting Codes SS, TT, WW, YY, LL, MM).
- n. Optionally available with aluminum housings configured for sensor and thermowell mounting (Housing and Sensor Mounting Codes NN, EE, and LL). Standard on ss housings configured for sensor and thermowell mounting (Housing and Sensor Mounting Codes PP, FF, and MM).
- o. Only available with aluminum dual compartment housings (Housing and Sensor Mounting Codes CC, EE, GG, JJ, NN, QQ).
- p. Required for ss dual compartment housings (Housing and Sensor Mounting Codes KK, PP, RR, and DD) if a mounting set is desired. Also available with aluminum dual compartment housings (Housing and Sensor Mounting Codes JJ, NN, QQ, and CC) if a mounting set is desired.
- q. SIL available only with HART Communications option (-T).
- r. Requires universal or dual compartment housings with sensor and thermowell mounting options (Housing and Sensor Mounting Codes NN, PP, EE, FF, LL, or MM).
- s. Only available with Thermowell Option Code TK ("T" thermowell assembled to housing).

DIMENSIONS – NOMINAL

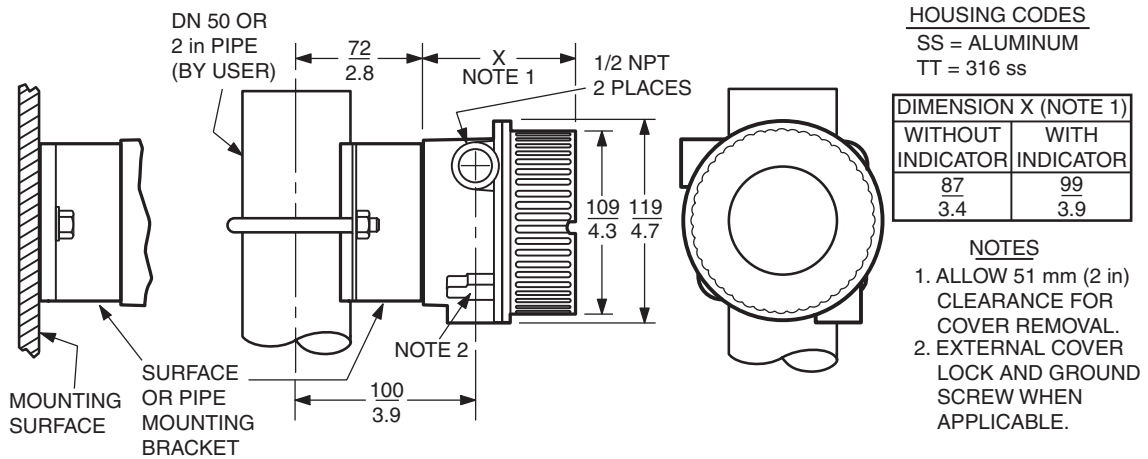
mm
in

BASIC TRANSMITTER
HOUSING CODE BB

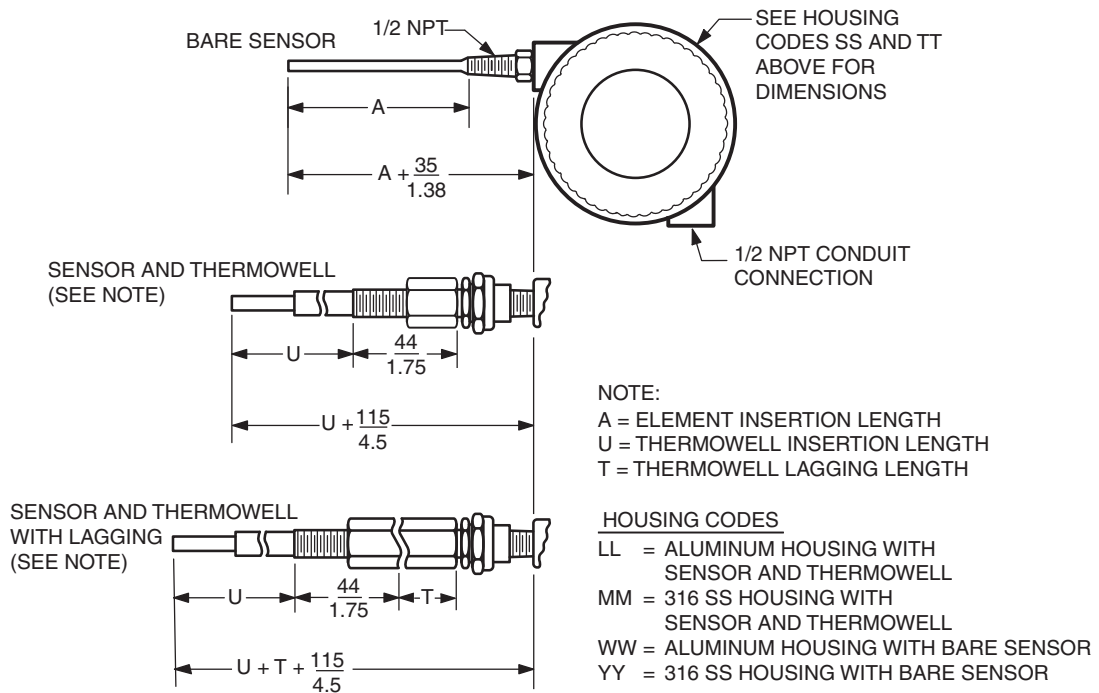


mm
in

UNIVERSAL HOUSING FOR SURFACE OR PIPE MOUNT WITH REMOTE SENSOR
HOUSING CODES SS AND TT

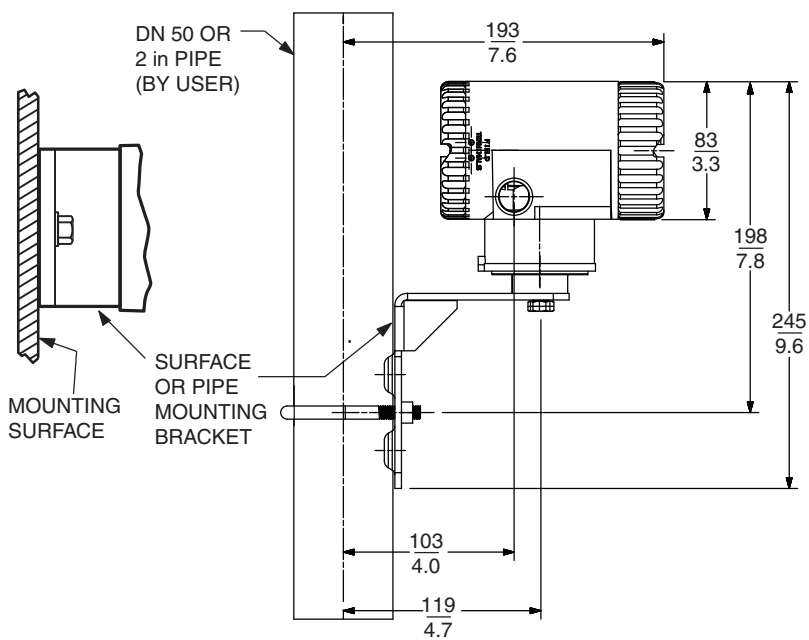


UNIVERSAL HOUSING WITH INTEGRAL SENSOR AND/OR SENSOR AND THERMOWELL
HOUSING CODES LL, MM, WW, AND YY



mm
in

DUAL COMPARTMENT HOUSING FOR SURFACE OR PIPE MOUNT WITH REMOTE SENSOR
HOUSING CODES GG, HH, QQ, AND RR



HOUSING CODES

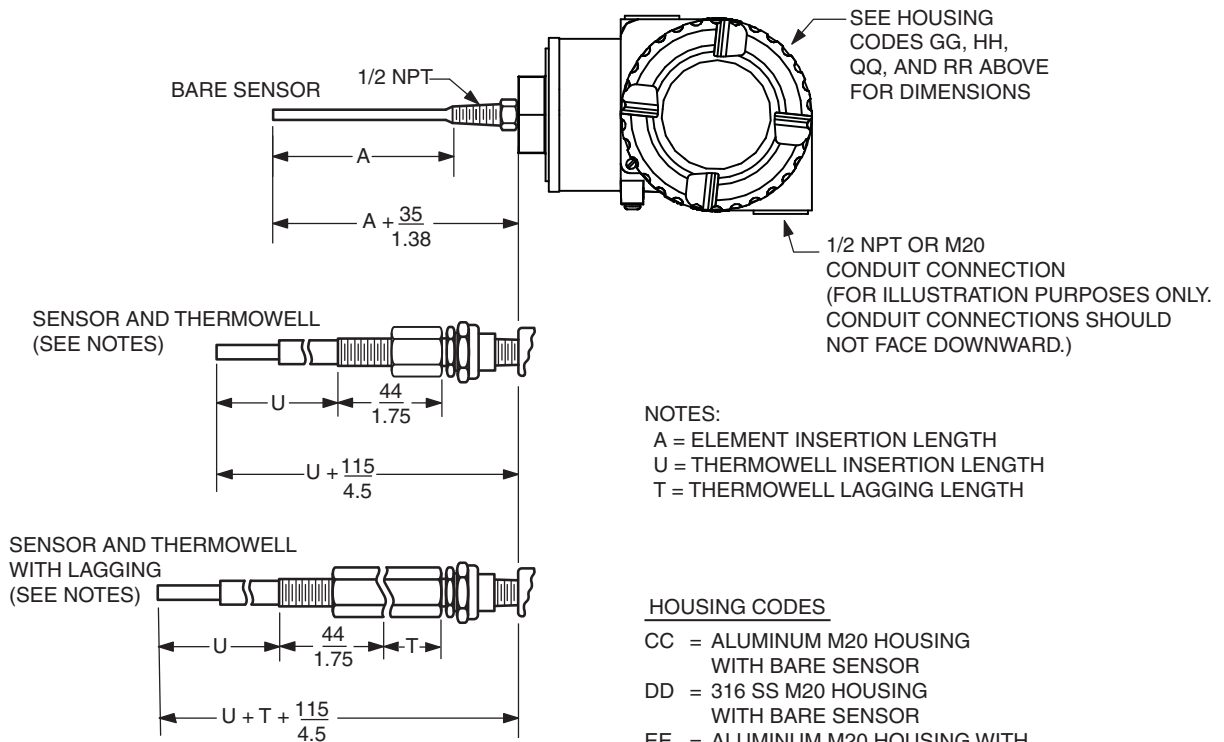
- GG = ALUMINUM M20 HOUSING FOR REMOTE SENSOR
- HH = 316 SS M20 HOUSING FOR REMOTE SENSOR
- QQ = ALUMINUM 1/2 NPT HOUSING FOR REMOTE SENSOR
- RR = 316 SS 1/2 NPT HOUSING FOR REMOTE SENSOR

NOTES

1. ALLOW 51 mm (2 in) CLEARANCE FOR COVER REMOVAL.
2. EXTERNAL COVER LOCK AND GROUND SCREW WHEN APPLICABLE.

mm
in

DUAL COMPARTMENT HOUSING WITH INTEGRAL SENSOR AND/OR SENSOR AND THERMOWELL
HOUSING CODES CC, DD, EE, FF, JJ, KK, NN, AND PP



NOTES:
A = ELEMENT INSERTION LENGTH
U = THERMOWELL INSERTION LENGTH
T = THERMOWELL LAGGING LENGTH

HOUSING CODES

- CC = ALUMINUM M20 HOUSING WITH BARE SENSOR
- DD = 316 SS M20 HOUSING WITH BARE SENSOR
- EE = ALUMINUM M20 HOUSING WITH SENSOR AND THERMOWELL
- FF = 316 SS M20 HOUSING WITH SENSOR AND THERMOWELL
- JJ = ALUMINUM 1/2 NPT HOUSING WITH BARE SENSOR
- KK = 316 SS 1/2 NPT HOUSING WITH BARE SENSOR
- NN = ALUMINUM 1/2 NPT HOUSING WITH SENSOR AND THERMOWELL
- PP = 316 SS 1/2 NPT HOUSING WITH SENSOR AND THERMOWELL

ORDERING INSTRUCTIONS

1. Model Number
2. Configured Range
3. Tag Number

OTHER FOXBORO PRODUCTS

The Foxboro product lines offer a broad range of measurement and instrument products, including solutions for pressure, flow, analytical, temperature, positioning, controlling, and recording.

For a list of these offerings, visit our web site at:

www.fielddevices.foxboro.com