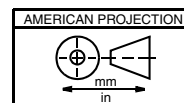
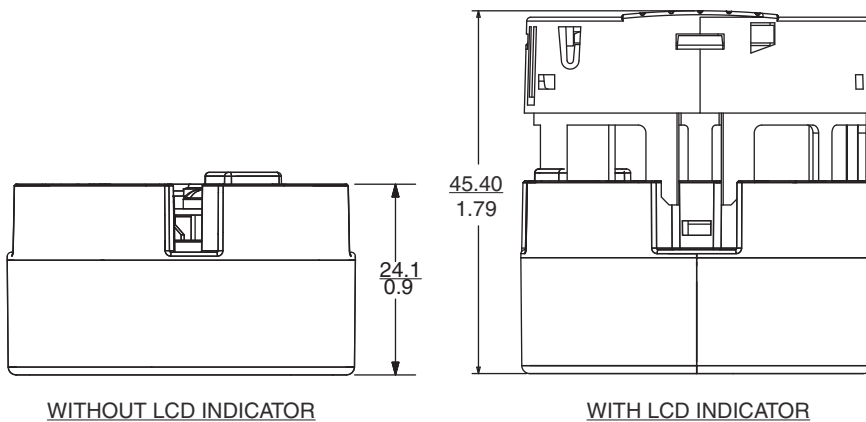
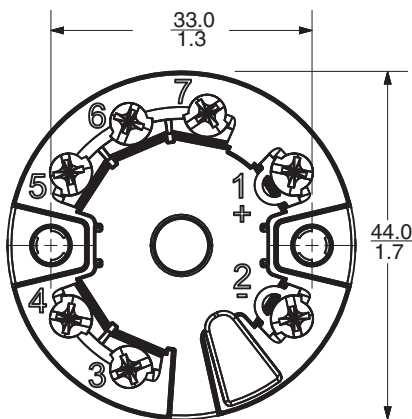


Model RTT80

I/A Series[®] Temperature Transmitters

mm
in

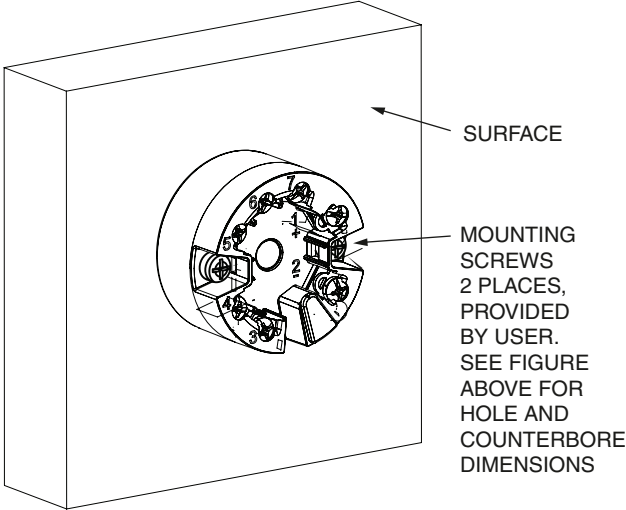
BASIC TRANSMITTER
HOUSING CODE BB



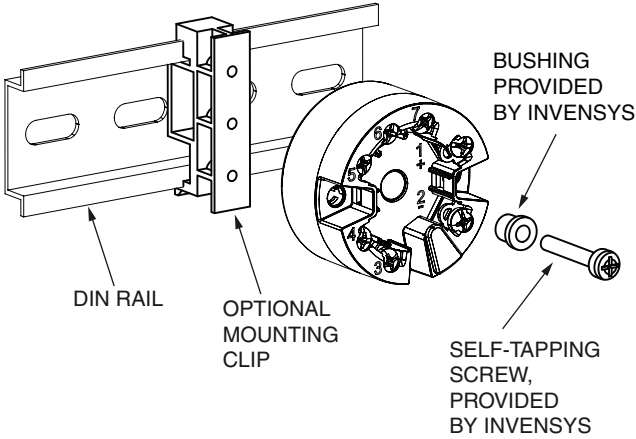
For dimensional information specific to your sales order, refer to Certified Dimensional Prints (CDPs) which can be ordered from your Invensys Sales Office or authorized factory representative.

BASIC TRANSMITTER MODULE MOUNTED TO SURFACE OR DIN RAIL

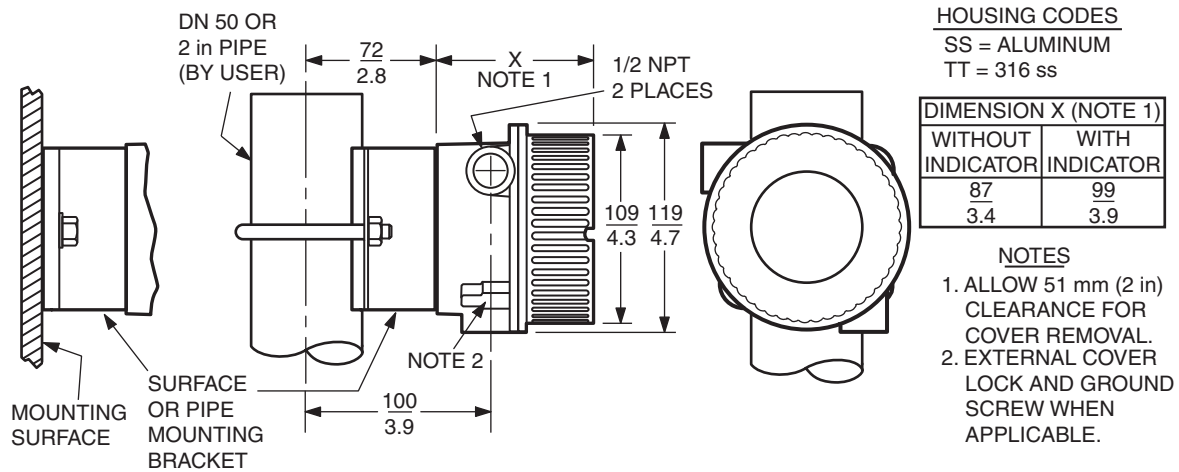
SURFACE MOUNT



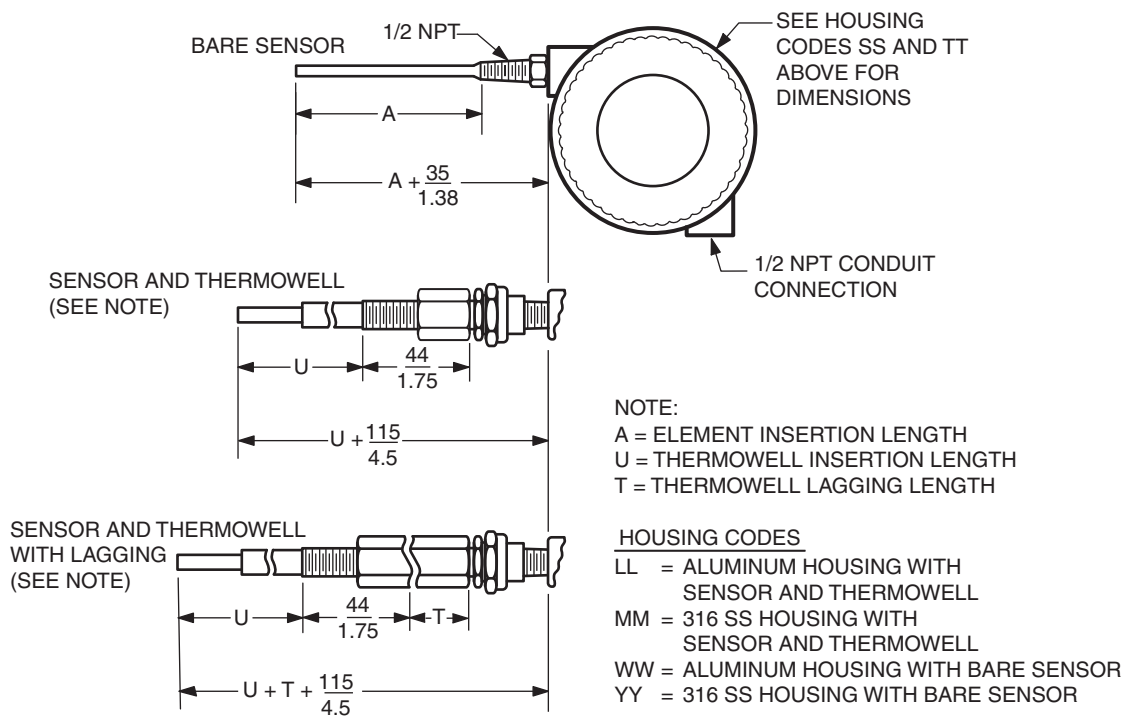
DIN RAIL MOUNT



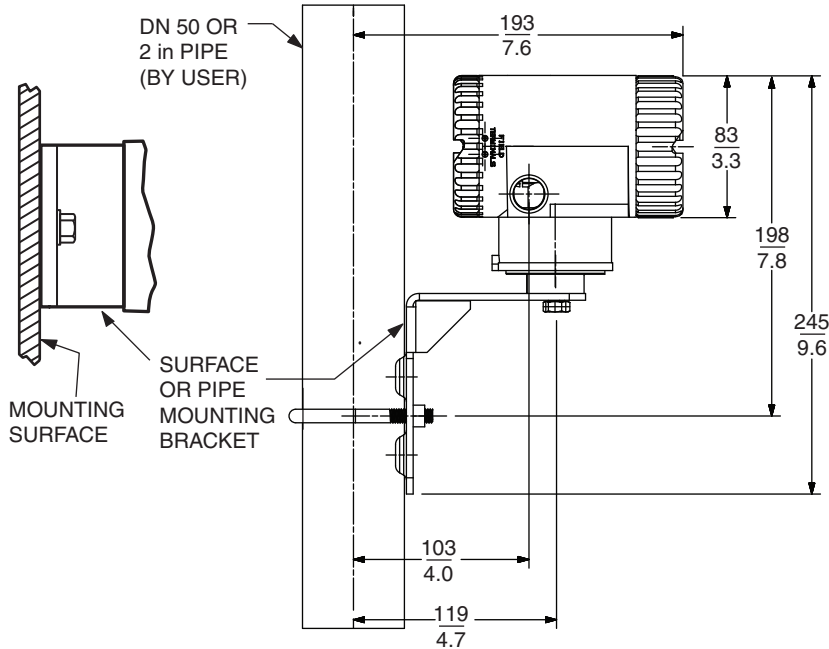
UNIVERSAL HOUSING FOR SURFACE OR PIPE MOUNT WITH REMOTE SENSOR
HOUSING CODES SS AND TT



UNIVERSAL HOUSING WITH INTEGRAL SENSOR AND/OR SENSOR AND THERMOWELL
HOUSING CODES LL, MM, WW, AND YY



DUAL COMPARTMENT HOUSING FOR SURFACE OR PIPE MOUNT WITH REMOTE SENSOR
HOUSING CODES GG, HH, QQ, AND RR



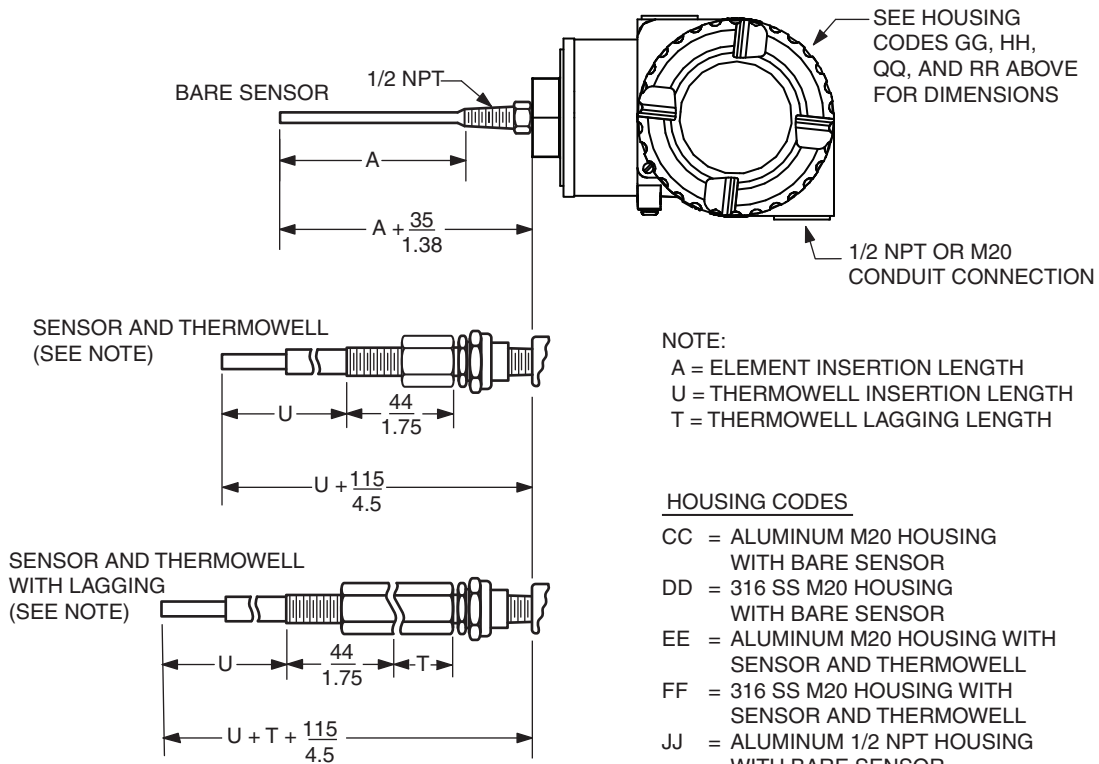
HOUSING CODES

- GG = ALUMINUM M20 HOUSING FOR REMOTE SENSOR
- HH = 316 SS M20 HOUSING FOR REMOTE SENSOR
- QQ = ALUMINUM 1/2 NPT HOUSING FOR REMOTE SENSOR
- RR = 316 SS 1/2 NPT HOUSING FOR REMOTE SENSOR

NOTES

1. ALLOW 51 mm (2 in) CLEARANCE FOR COVER REMOVAL.
2. EXTERNAL COVER LOCK AND GROUND SCREW WHEN APPLICABLE.

DUAL COMPARTMENT HOUSING WITH INTEGRAL SENSOR AND/OR SENSOR AND THERMOWELL
HOUSING CODES CC, DD, EE, FF, JJ, KK, NN, AND PP



NOTE:

- A = ELEMENT INSERTION LENGTH
- U = THERMOWELL INSERTION LENGTH
- T = THERMOWELL LAGGING LENGTH

HOUSING CODES

- CC = ALUMINUM M20 HOUSING WITH BARE SENSOR
- DD = 316 SS M20 HOUSING WITH BARE SENSOR
- EE = ALUMINUM M20 HOUSING WITH SENSOR AND THERMOWELL
- FF = 316 SS M20 HOUSING WITH SENSOR AND THERMOWELL
- JJ = ALUMINUM 1/2 NPT HOUSING WITH BARE SENSOR
- KK = 316 SS 1/2 NPT HOUSING WITH BARE SENSOR

Invensys
10900 Equity Drive
Houston, TX 77041
United States of America
<http://iom.invensys.com>

Global Customer Support
Inside U.S.: 1-866-746-6477
Outside U.S.: 1-508-549-2424 or contact
your local Invensys representative.
Website: <http://support.ips.invensys.com>

Invensys, Foxboro, and I/A Series are trademarks of
Invensys plc, its subsidiaries, and affiliates.
All other brand names may be trademarks of their respective
owners.

Copyright 2012-2013 Invensys Systems, Inc.
All rights reserved

MB 010