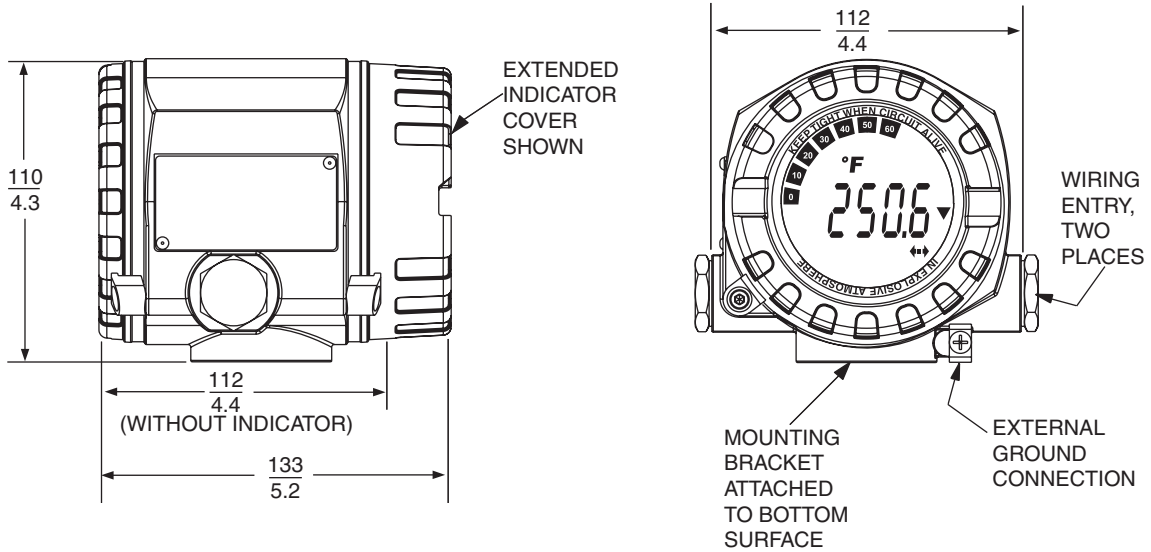
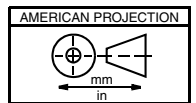
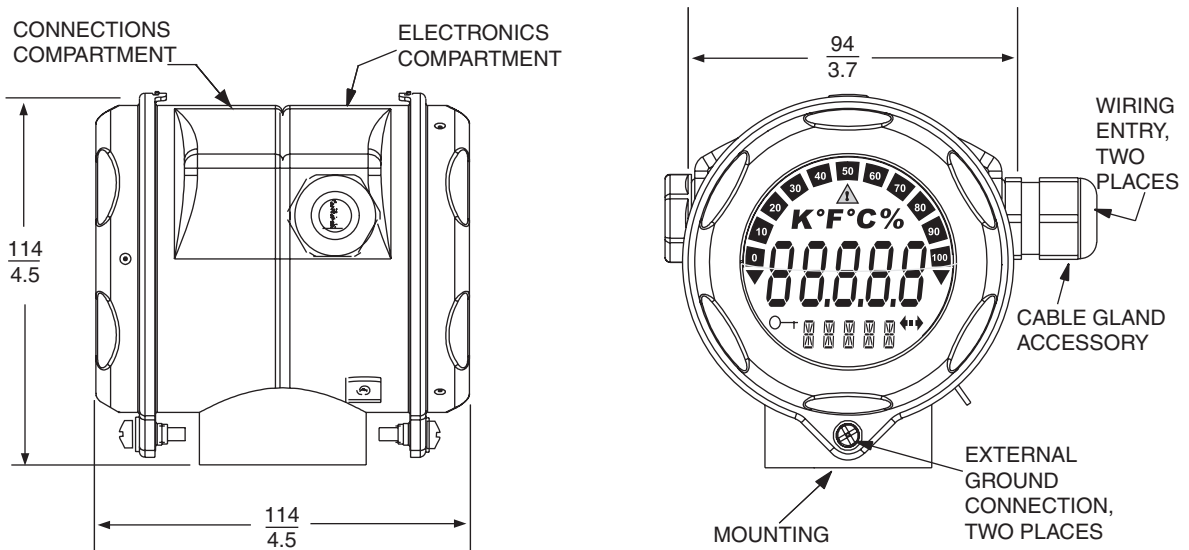


Model RTT30 I/A Series[®] Temperature Transmitter

ALUMINUM HOUSING

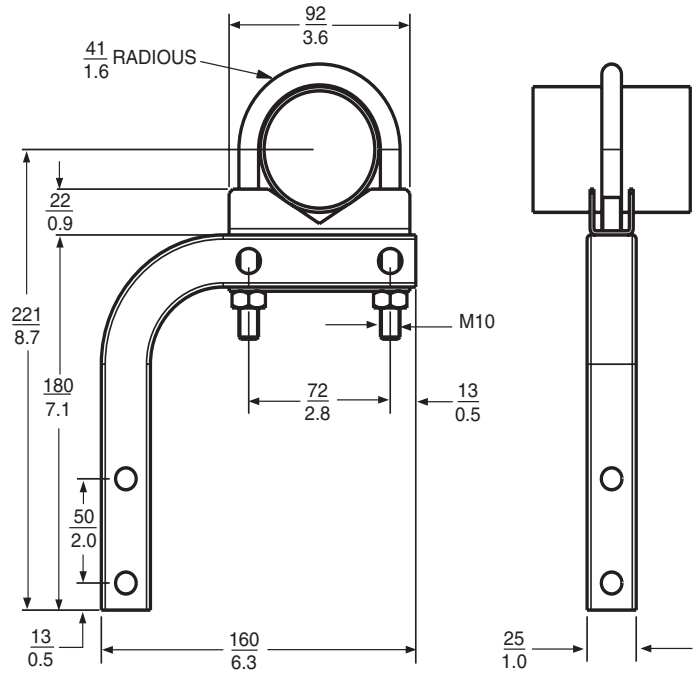


STAINLESS STEEL HOUSING

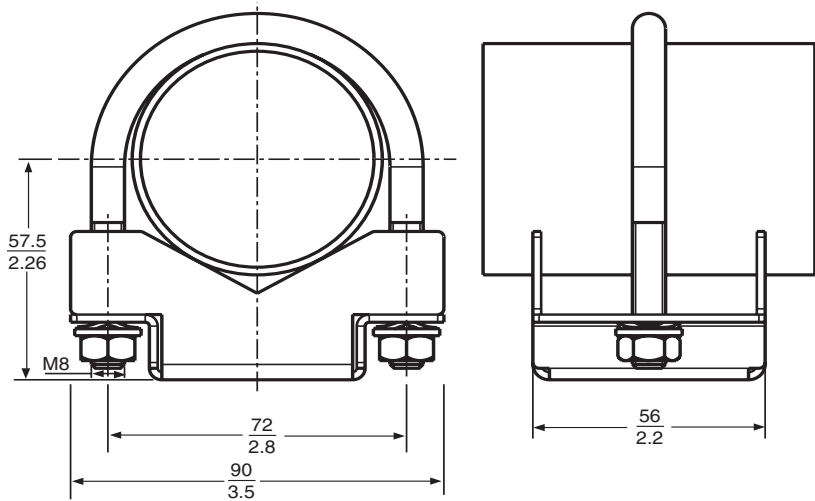


For dimensional information specific to your sales order, refer to Certified Dimensional Prints (CDPs) which can be ordered from your Foxboro Sales Office or authorized factory representative.

L-SHAPED MOUNTING BRACKET



U-SHAPED MOUNTING BRACKET



Invensys Operations Management
 5601 Granite Parkway Suite 1000
 Plano, TX 75024
www.iom.invensys.com

Invensys Global Client Support
 Inside U.S.: 1-866-746-6477
 Outside U.S.: 1-508-549-2424 or
 contact your local Foxboro
 representative.
 Facsimile: 1-508-549-4999

Invensys, Foxboro, and I/A Series are trademarks of Invensys plc,
 its subsidiaries, and affiliates.
 All other brand names may be trademarks of their respective
 owners.

Copyright 2010 Invensys Systems, Inc.
 All rights reserved