



Instruction

MI 020-461

May 1996

I/A Series[®] Model RTT20 Temperature Transmitter Menu Flowchart for 1-Line LCD Indicator/Configurator



A Siebe Group Company

Description

The optional 1-line LCD Indicator/Configurator for the RTT20 Temperature Transmitter has a 4-digit numeric display and two pushbuttons labeled NEXT/NO and ENTER/YES. By using these two buttons, you can reconfigure the sensor type and engineering units, rerange an existing sensor, select failsafe conditions, trim the 4 and 20 mA output points and many other configurable parameters. Changing a transmitter configuration with the LCD Indicator/Configurator push buttons is similar to setting the time on a digital watch. Whenever the buttons are being used to reconfigure a transmitter, if neither of the buttons is pushed within a 2-minute time period, the transmitter returns to normal operation. Also, if power is interrupted for more than 10 seconds in the configuration mode, the transmitter returns to normal operation.

Press the NEXT/NO button to move to the “next” item in the menu structure or to answer “No” to a prompt question. Press the ENTER/YES button to accept or enter an item or to answer “Yes” to a prompt question.

Note that the menu flowchart shows both text and numeric codes in each box. The text shown is the message that would be displayed on the 3-line indicator option — the 4-digit number is displayed on the 1-line indicator. The flowchart on the back of this page can be used to determine the meaning of each code.

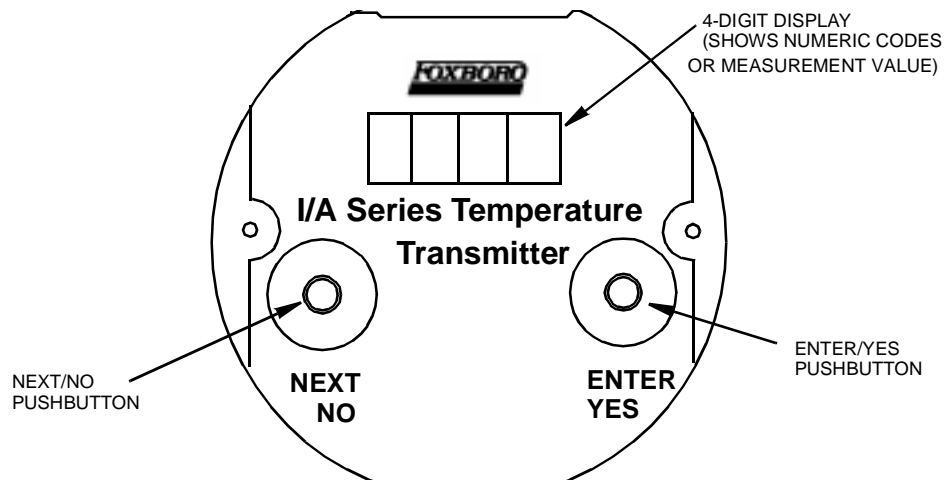


Figure 1. RTT20 One-Line Indicator

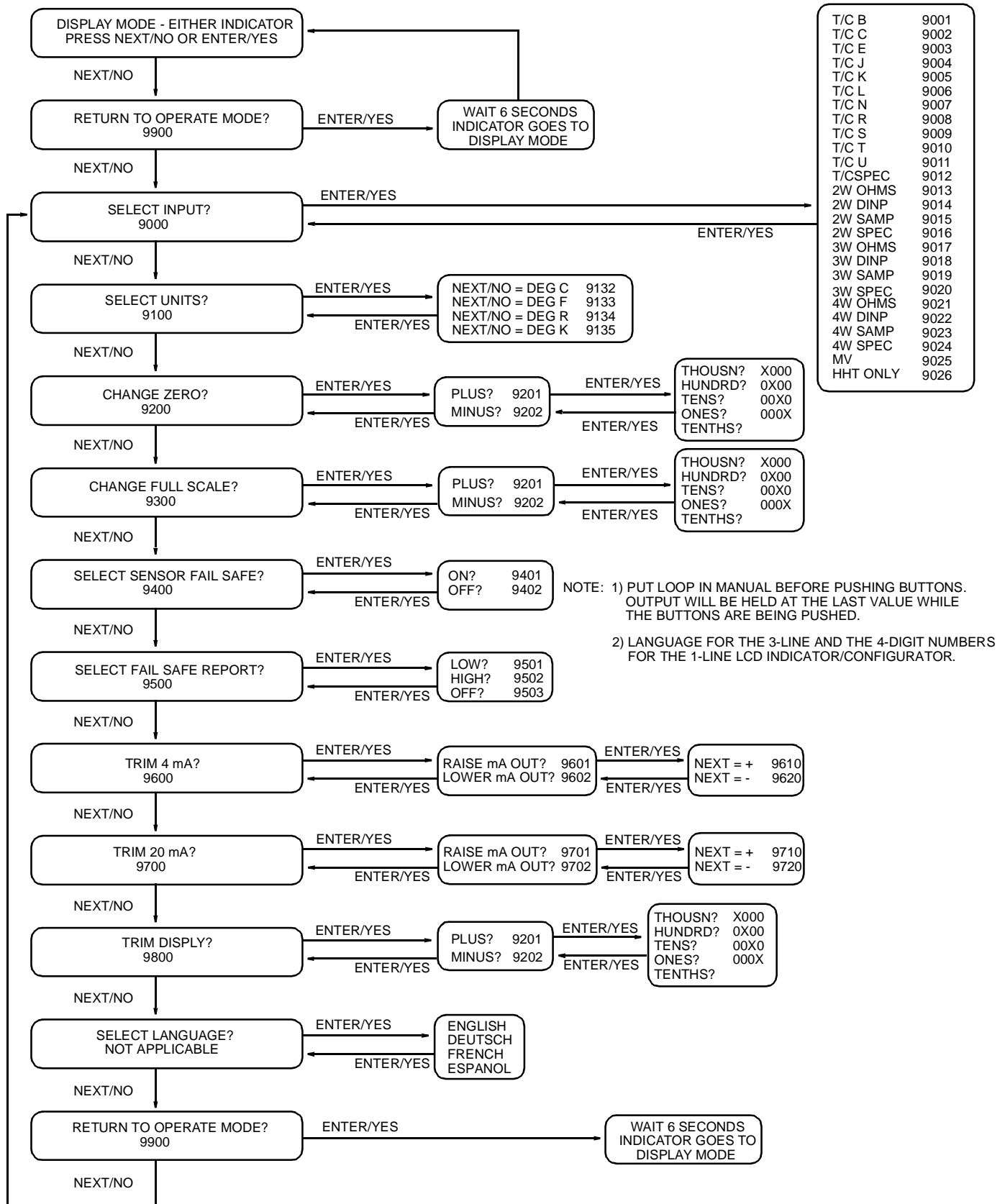


Figure 2. LCD Indicator/Configurator Flowchart Model RTT20 with Revision A Software

The Foxboro Company
33 Commercial Street
Foxboro, MA 02035-2099
United States of America
<http://www.foxboro.com>
Inside U.S.: 1-888-FOXBORO
(1-888-369-2676)
Outside U.S.: Contact your
local Foxboro Representative.
Facsimile: (508) 549-4992

Foxboro and I/A Series are registered trademarks of The Foxboro Company.
Siebe is a registered trademark of Siebe, plc.

Copyright 1996 by The Foxboro Company
All rights reserved