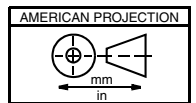
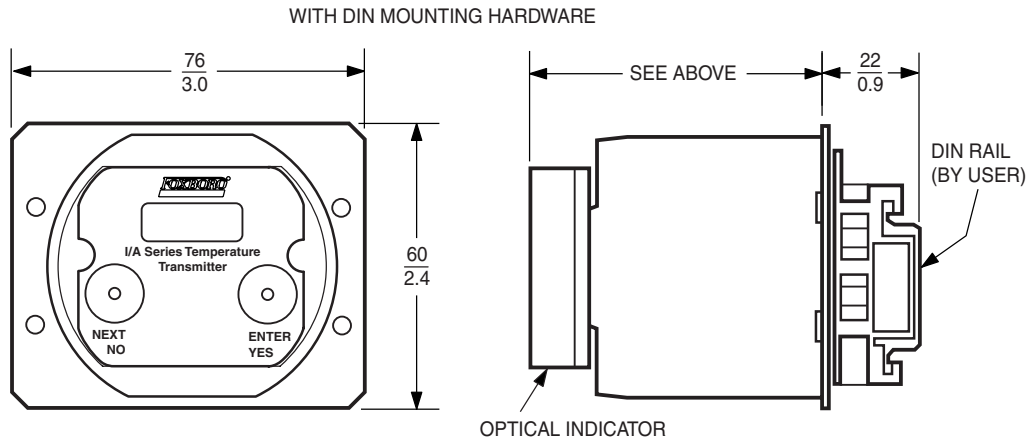
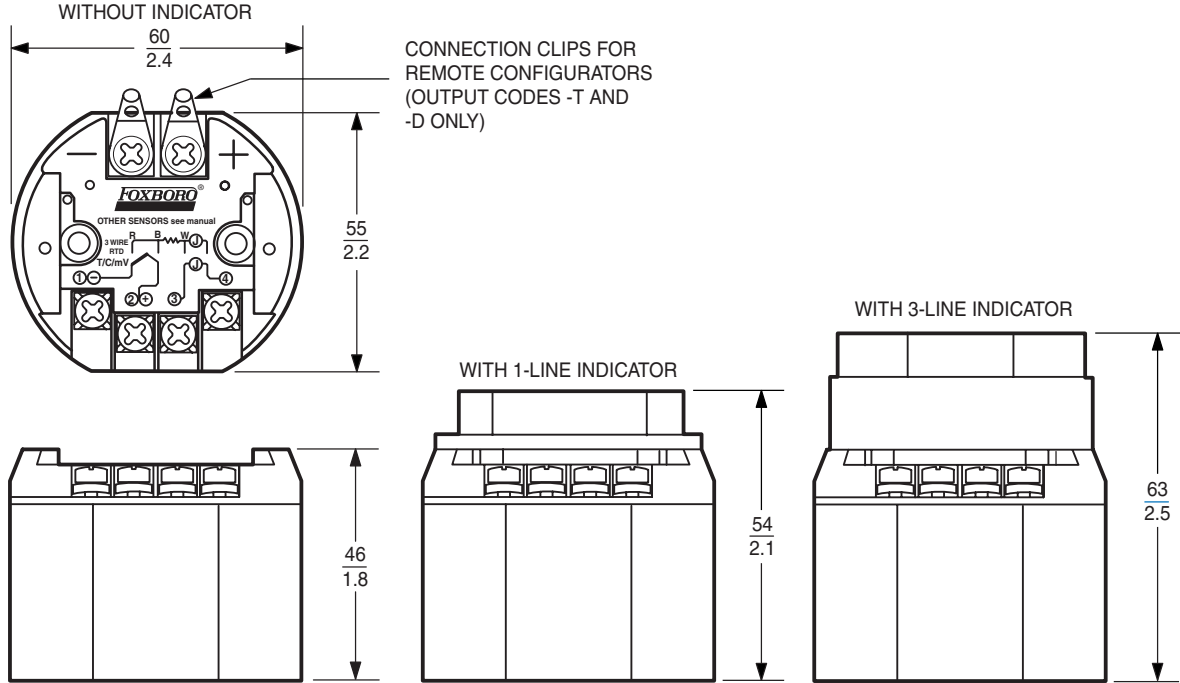


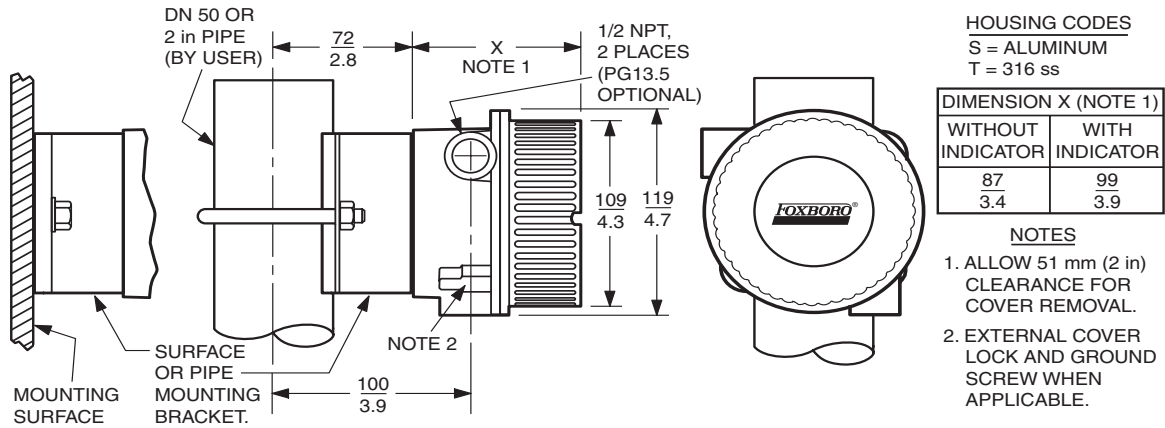
I/A Series[®] Temperature Transmitters Model RTT20

BASIC TRANSMITTER PACKAGE (CODE B)



For dimensional information specific to your sales order, refer to Certified Dimensional Prints (CDPs) which can be ordered from your Foxboro Sales Office or authorized factory representative.

SURFACE OR PIPE MOUNT TRANSMITTER WITH REMOTE SENSOR (CODE S OR T)



TRANSMITTER WITH INTEGRAL SENSOR (CODES L, M, W, AND Y)

