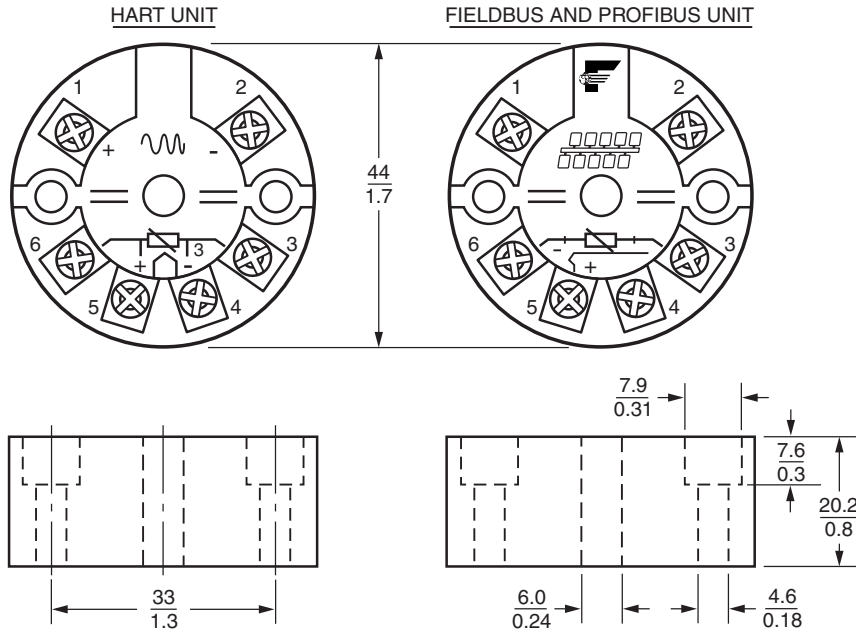


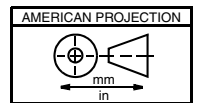
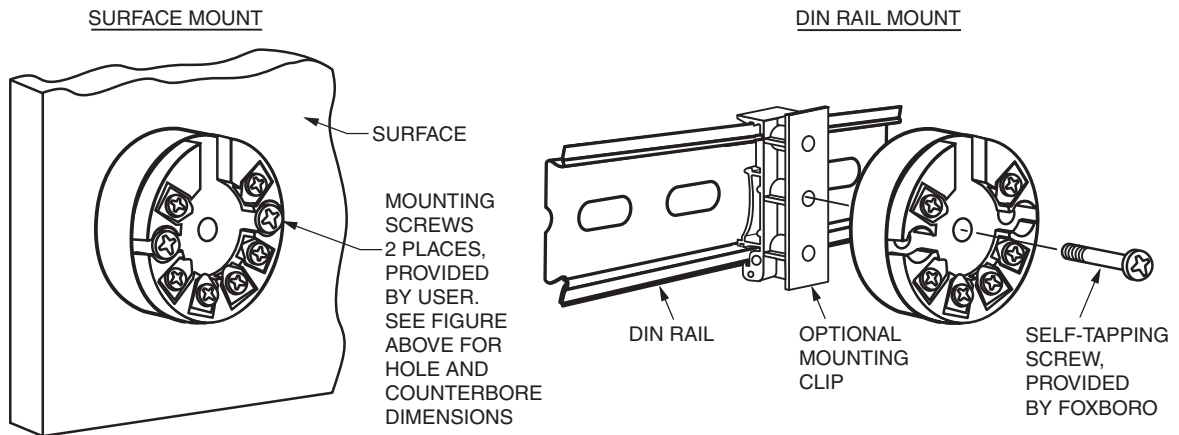
Model RTT15

I/A Series[®] Temperature Transmitters

BASIC TRANSMITTER MODULE - HOUSING CODE B

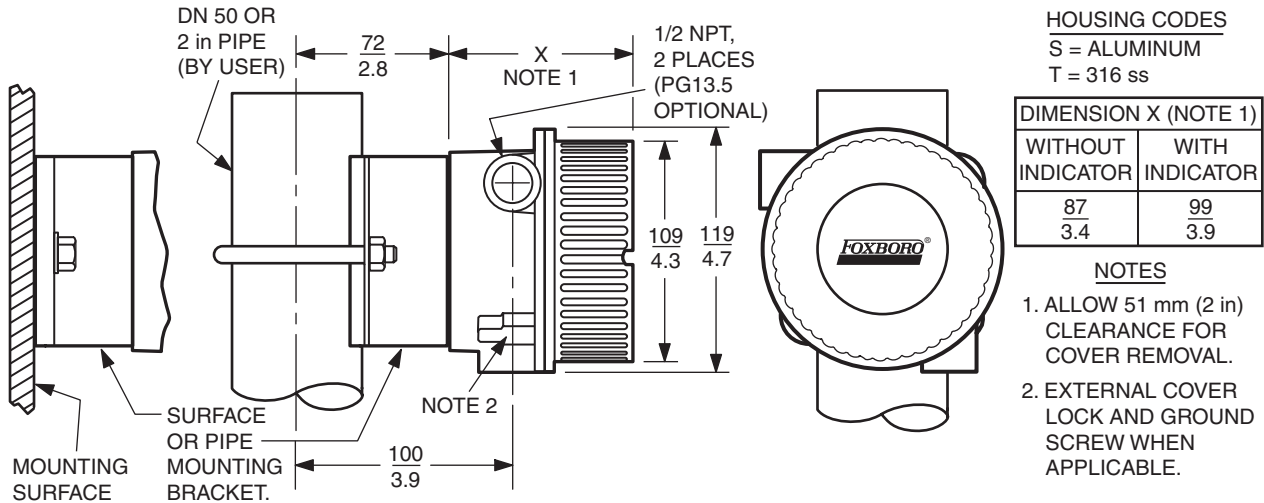


BASIC TRANSMITTER MODULE MOUNTED TO SURFACE OR DIN RAIL

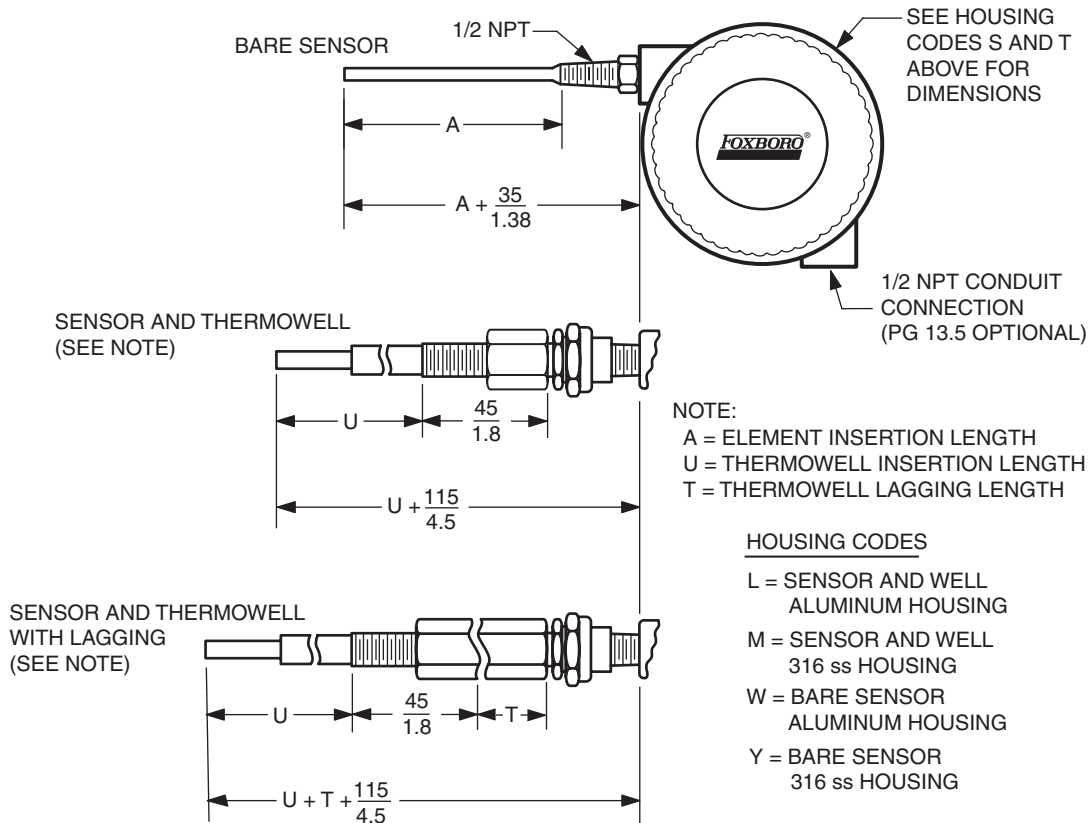


For dimensional information specific to your sales order, refer to Certified Dimensional Prints (CDPs) which can be ordered from your Foxboro Sales Office or authorized factory representative.

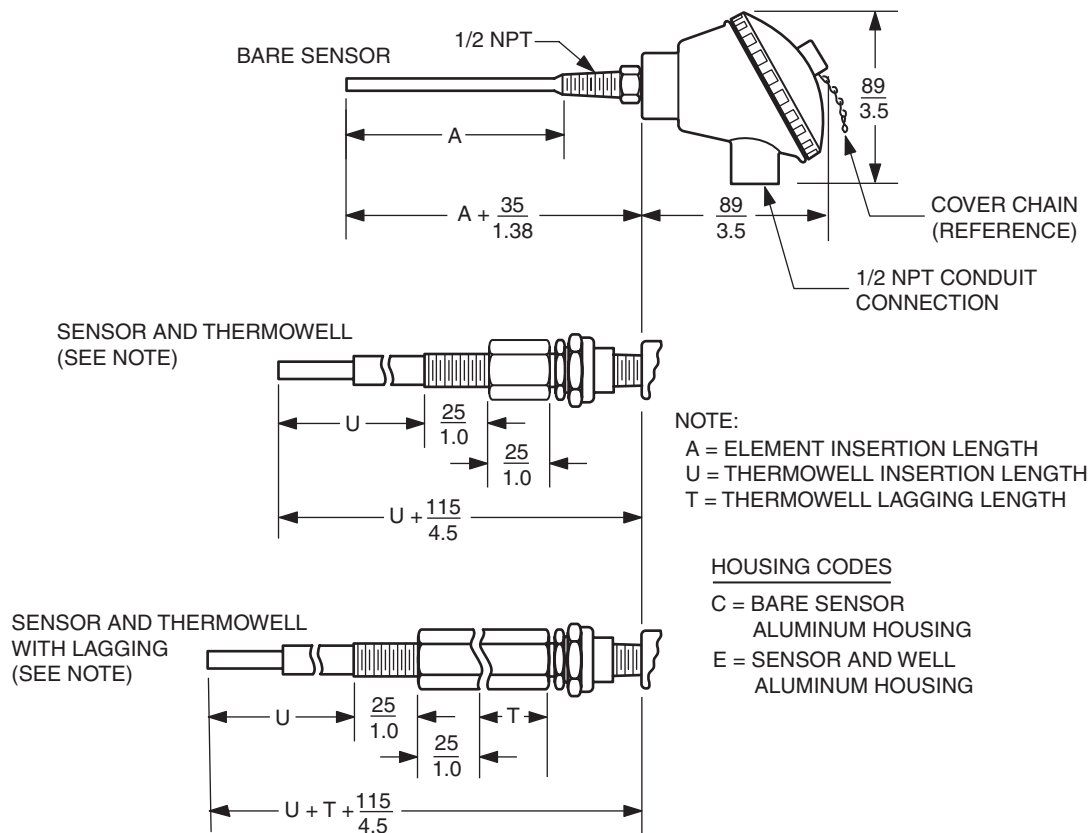
UNIVERSAL HOUSING FOR SURFACE OR PIPE MOUNT WITH REMOTE SENSOR
HOUSING CODES S AND T



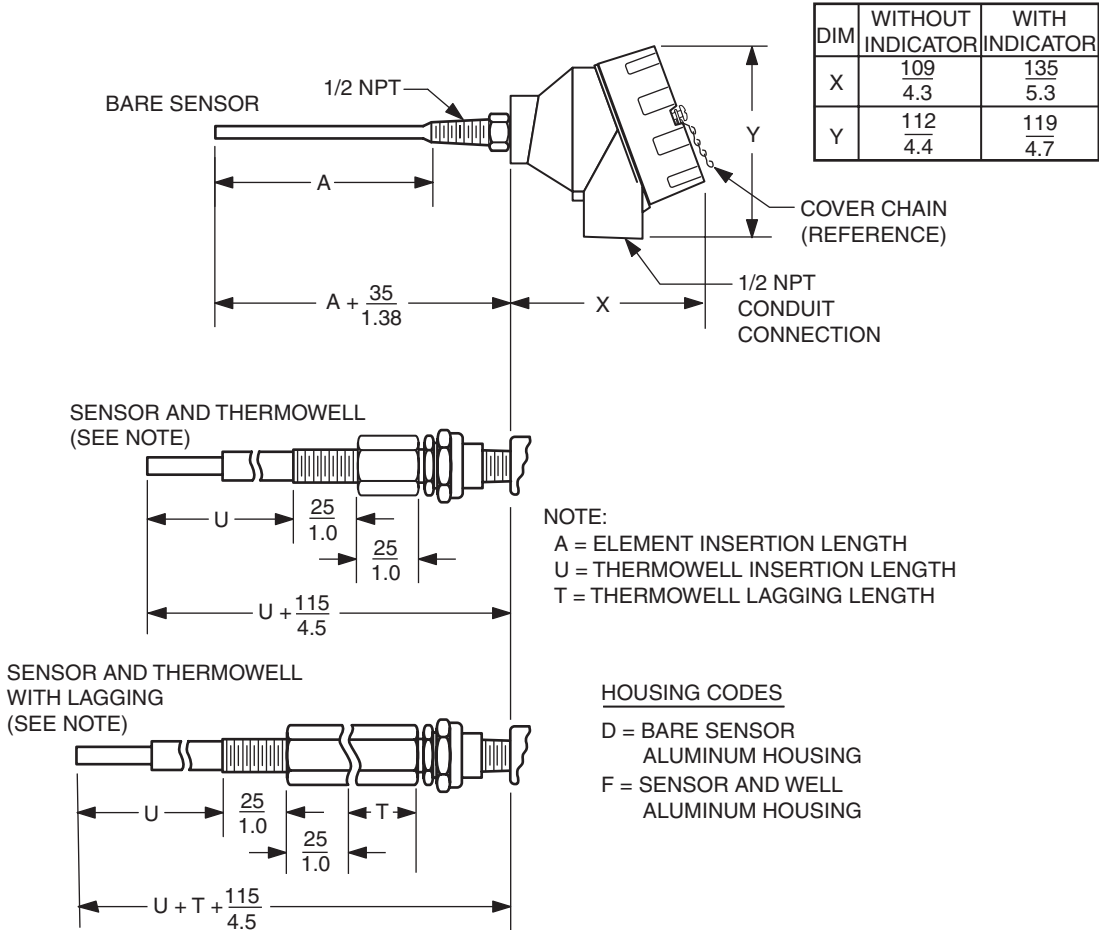
UNIVERSAL HOUSING WITH INTEGRAL SENSOR
HOUSING CODES L, M, W, OR Y



WEATHERPROOF CONNECTION HEAD WITH INTEGRAL SENSOR
HOUSING CODES C AND E



EXPLOSIONPROOF CONNECTION HEAD WITH INTEGRAL SENSOR
HOUSING CODES D AND F



33 Commercial Street
Foxboro, MA 02035-2099
United States of America
www.foxboro.com
Inside U.S.: 1-866-746-6477
Outside U.S.: 1-508-549-2424
or contact your local Foxboro representative.
Facsimile: 1-508-549-4999

Invensys, Foxboro, and I/A Series are trademarks of Invensys plc, its subsidiaries, and affiliates. All other brand names may be trademarks of their respective owners.

Copyright 2004-2008 Invensys Systems, Inc.
All rights reserved

MB 190

Printed in U.S.A

0108