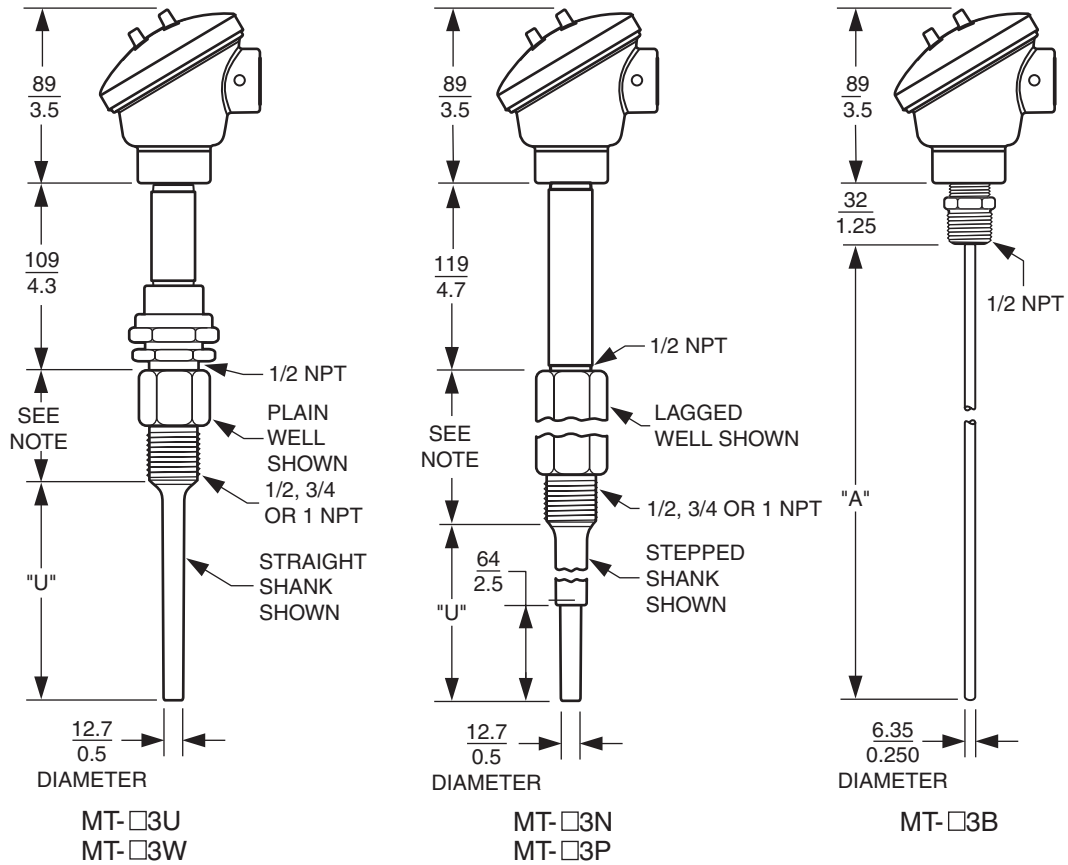


MT Series MINOX™ Thermocouples

GENERAL PURPOSE HEAD

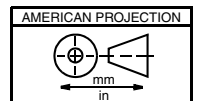


NOTE: T+44 mm (T+1.75 in) FOR THREADED AND WELD-IN THERMOWELLS
T+57 mm (T+2.25 in) FOR FLANGED AND SANITARY THERMOWELLS

INSERTION LENGTH "U" = _____

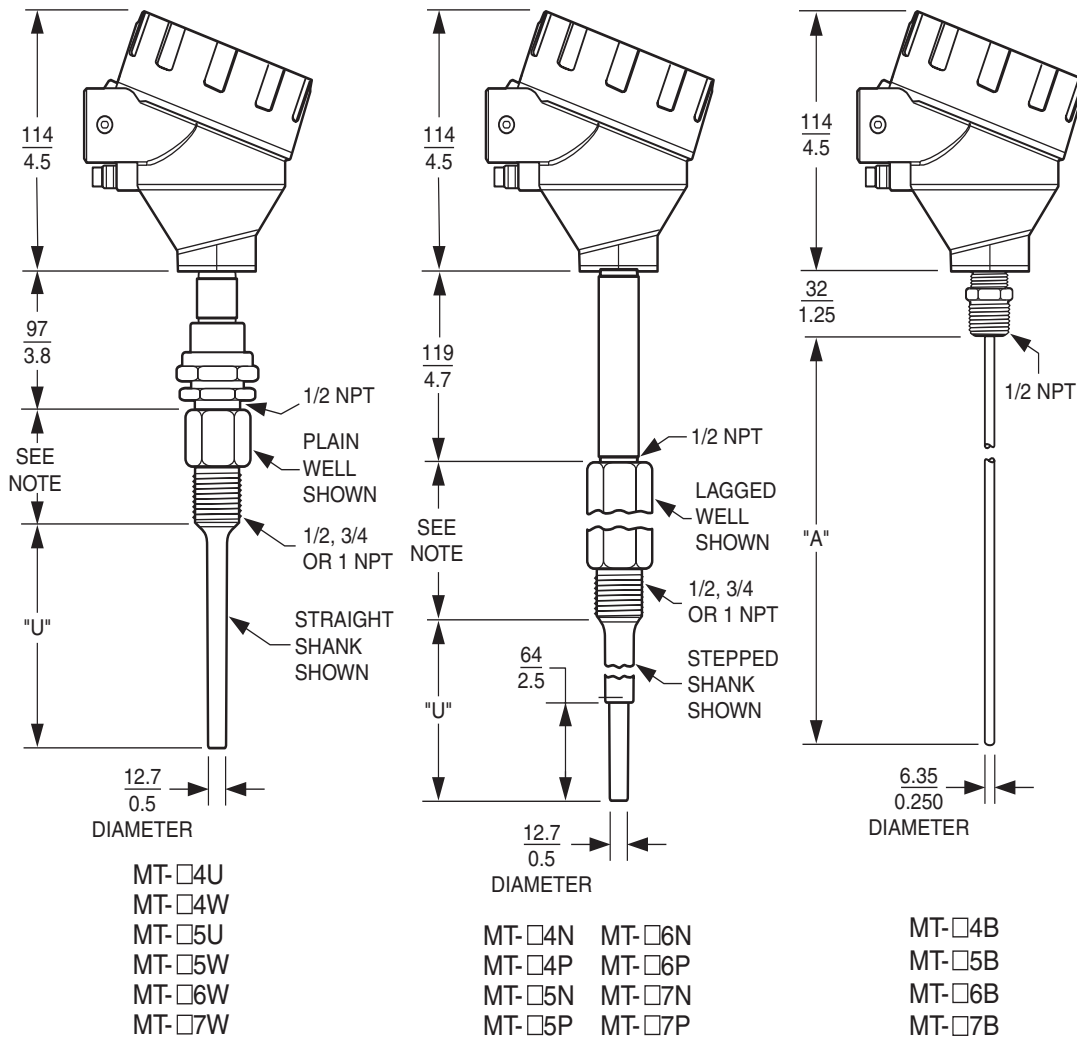
LAGGING EXTENSION "T" = _____

BARE SENSOR LENGTH "A" = _____



For dimensional information specific to your sales order, refer to Certified Dimensional Prints (CDPs) which can be ordered from your Foxboro Sales Office or authorized factory representative.

EXPLOSIONPROOF HEAD



NOTE: T+44 mm (T+1.75 in) FOR THREADED AND WELD-IN THERMOWELLS
 T+57 mm (T+2.25 in) FOR FLANGED AND SANITARY THERMOWELLS

INSERTION LENGTH "U" = _____

LAGGING EXTENSION "T" = _____

BARE SENSOR LENGTH "A" = _____

33 Commercial Street
 Foxboro, MA 02035-2099
 United States of America
 www.foxboro.com
 Inside U.S.: 1-866-746-6477
 Outside U.S.: 1-508-549-2424
 or contact your local Foxboro
 representative.
 Facsimile: 1-508-549-4999

Invensys, Foxboro, and MINOX are trademarks of Invensys plc, its subsidiaries, and affiliates.
 All other brand names may be trademarks of their respective owners.

Copyright 1988- 2007 Invensys Systems, Inc.
 All rights reserved