

Model RTT15S Optical Temperature Transmitter OTTPlus

Installation, Startup, Troubleshooting, and Maintenance

Contents

Figures	5
Tables	7
1. Introduction	9
General Description	9
Reference Documents	10
Transmitter Identification.....	10
Standard Specifications.....	11
Input Specifications.....	11
RTD Input Specifications.....	11
Thermocouple Input Specifications	12
Millivolt Input Specifications	12
Ohms Resistance Input Specifications	12
Output Specifications.....	13
Accuracy	13
Variable Assignments.....	14
Block Diagram	14
Electrical Safety Specifications.....	15
2. Installation	21
Mounting.....	23
Wiring	26
Connections	26
Loop Wiring.....	27
Assembly and Disassembly	30
Multidrop Communication.....	32
3. Configuration and Operation	33
Calibration.....	33
Using the Optional Display.....	33
Using the Optical Buttons.....	33
Display Views.....	34
Device and Sensor Status Indication	36
Configuring the RTT15S.....	37
Changing the HART Protocol Version	39

Using the Optical Configurator.....	39
Basic Configuration.....	41
Advanced Configuration	43
Help Text Overview.....	50
Available Units	54
Using a HART Communicator	56
4 to 20 mA Output Trim.....	56
Rerange	57
Configuration.....	57
Configuration Notes.....	57
HART Online Menu.....	59
4. Troubleshooting and Maintenance	65
Troubleshooting.....	65
Replacing the Transmitter Module	68

Figures

1	Marking - Transmitter with Housing.....	10
2	Marking - Transmitter without Housing	10
3	Block Diagram for RTT15S.....	14
4	Protection Degree.....	22
5	Surface Mounting	23
6	Pipe Mounting.....	23
7	Mounting Bracket Assembly	24
8	Basic Module Mount.....	24
9	Thermowell Mount.....	25
10	Connections.....	26
11	Supply Voltage and Loop Load.....	27
12	Loop Wire Connections.....	28
13	Transmitter Loop Wiring	29
14	Wiring Several Transmitters to a Common Power Supply.....	29
15	Locking Screw.....	30
16	Locking Tabs.....	30
17	Removing the Display Unit.....	31
18	Repositioning the Display	31
19	Typical Multidrop Network.....	32
20	Monitoring View.....	35
21	Programming View	35
22	Diagnostics View.....	36
23	Programming with a HART Modem.....	38
24	Programming with a HART Communicator	38
25	Accessing the Configurator Menus.....	40
26	Basic Configuration Menu (1 of 2).....	41
27	Basic Configuration Menu (2 of 2).....	42
28	Display Menu	43
29	Tags Menu	43
30	Calibration Menu.....	45
31	Simulation Menu	46
32	Sensor Menu	47
33	HART Menu	48
34	Password Menu	48
35	Language Menu	49
36	HART Revision Menu	49
37	RTT15S Online Menu, HART 5 (1 of 2)	59
38	RTT15S Online Menu, HART 5 (2 of 2)	60
39	RTT15S Online Menu, HART 7 (1 of 4)	61
40	RTT15S Online Menu, HART 7 (2 of 4)	62
41	RTT15S Online Menu, HART 7 (3 of 4)	63
42	RTT15S Online Menu, HART 7 (4 of 4)	64
43	Troubleshooting.....	67

44 Connector Pins68

Tables

1	Reference Documents	10
2	RTD Range Limits and Span	11
3	Thermocouple Range Limits and Span.....	12
4	Millivolt Input Range Limits and Span	12
5	Ohms Resistance Input Range Limits and Span	12
6	General Values	13
7	Basic Values.....	13
8	Suggested HART Variable Assignments.....	14
9	Electrical Safety Specifications - Transmitter with Housing	15
10	Electrical Safety Specifications - Transmitter Module without Housing	19
11	Earth Terminal and Protection Terminal.....	25
12	Display Buttons	34
13	Symbols Bar	34
14	Sensor Status	36
15	Sensor Errors.....	36
16	Device Status.....	37
17	Device Errors	37
18	Help Messages.....	50
19	Available Units	54
20	Recommended Troubleshooting Steps Before Replacing Module.....	65

1. Introduction

⚠ WARNING

Only technicians who are familiar with the technical terms, warnings, and instructions in the manual and who are able to follow these should connect the device. Should there be any doubt as to the correct handling of the device, please contact your local distributor or Global Customer Support.

Mounting and connection of the device should comply with national legislation for mounting of electric materials.

The transmitter module (inside the housing) is completely sealed and cannot be repaired. Any attempt to open the transmitter module voids the warranty.

Do not remove the transmitter cover in explosive atmospheres when the circuit is alive.

The transmitter cover must be fully engaged to meet the explosion proof requirements.

If installed under high-vibration conditions, the transmitter may require supplementary support.

For installation in hazardous area the corresponding installation drawing must be followed in detail.

Take care not to generate mechanical sparking when accessing the instrument and peripheral devices in a hazardous location.

General Description

The RTT15S Temperature Transmitter is a microprocessor-based temperature transmitter that receives input signals from thermocouples, RTDs, resistance (ohms), or millivolt sources. It communicates with HART[®] protocol versions 5 and 7.

The transmitter is available as an intrinsically safe basic module, or in an explosion-proof housing. For transmitters with a housing, two integral LCD displays are offered. One option has optical buttons that allow local configuration of the instrument through the glass cover of the housing. The second option serves as a display only, without configuration buttons.

Reference Documents

For additional and related information, refer to the documents listed in Table 1.

Table 1. Reference Documents

Document	Description
DP 020-470	Dimensional Print – Temperature Transmitter Model RTT15S
PL 008-663	Parts List – Temperature Transmitter Model RTT15S
MI 020-524	Safety Information - Temperature Transmitter Model RTT15S
MAN 4250	HART Communicator Product Manual (supplied with the communicator)

Transmitter Identification

See Figure 1 for a typical agency data label. For transmitters enclosed in a housing, the basic unit agency label is located on the basic unit and the applicable agency and data labels are externally mounted on the transmitter housing.

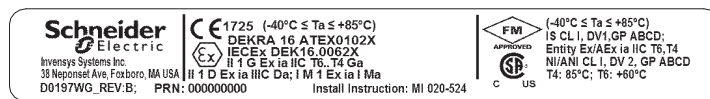
NOTE

The year of manufacture is the last two digits in the production number in the lower left corner of the label.

Figure 1. Marking - Transmitter with Housing



Figure 2. Marking - Transmitter without Housing



CAUTION

The ambient temperature range depends on T rating, type of protection and sealing materials. Refer to installation drawings in MI 020-524.

Standard Specifications

Ambient temperature limits:

-40 and +85°C (-40 and +185°F) for no housing, or housing with silicone o-ring

-20 and +85°C (-4 and +185°F) for housing with FKM o-ring

Reduced LCD performance below -20°C and above +70°C (-4°F and +158°F)

Storage temperature: -40 to +85°C (-40 to +185°F)

Calibration temperature: 20 to 28°C (68 to 82°F)

Relative humidity limits:

0 and 100% RH (condensing) with housing

< 95% RH (non-condensing) without housing

Protection degree: IP54/IP66/IP68/type 4X

Vibration: IEC 60068-2-6:2007

1.6 mm from 2 to 25 Hz

4 g from 25 to 100 Hz

Supply voltage:

With housing: 10 to 30 V dc (12 to 30 V dc with optional display) when certified as intrinsically safe, otherwise 10 to 35 V dc (12 to 35 V dc with optional display)

Without housing: 8 to 30 V dc

Long-term stability: 0.1% of span/year

Input Specifications

RTD Input Specifications

Cable resistance per wire (max): 5 Ω (up to 50 Ω per wire is possible with reduced measurement accuracy)

Sensor current: Nom. 0.2 mA

Table 2. RTD Range Limits and Span

RTD Type	Range Limits	Min. Span	Standard
Pt100	-200 and +850°C -328 and +1,562°F	10°C (18°F)	IEC 60751:2008
Ni100	-60 and +250°C -76 and +482°F	10°C (18°F)	DIN 43760 IPTS-68

Thermocouple Input Specifications

Cold junction compensation: Constant, internal, or external via a Pt100 or Ni100 sensor

Table 3. Thermocouple Range Limits and Span

TC Type	Range Limits	Min. Span	Standard
B	0 and 1,820°C (32 and 3,308°F)	100°C (180°F)	IEC584
E	-100 and +1,000°C (-148 and +1,832°F)	50°C (90°F)	IEC584
J	-100 and +1,200°C (-148 and +2,192°F)	50°C (90°F)	IEC584
K	-180 and +1,372°C (-292 and +2,502°F)	50°C (90°F)	IEC584
L	-200 and +900°C (-328 and +1,652°F)	50°C (90°F)	DIN 43710
N	-180 and +1,300°C (-292 and +2,372°F)	50°C (90°F)	IEC584
R	-50 and +1,760°C (-58 and +3,200°F)	100°C (180°F)	IEC584
S	-50 and +1,760°C (-58 and +3,200°F)	100°C (180°F)	IEC584
T	-200 and +400°C (-328 and +752°F)	50°C (90°F)	IEC584
U	-200 and +600°C (-328 and 1,112°F)	50°C (90°F)	DIN 43710
W3	0 and 2,300°C (32 and 4,172°F)	100°C (180°F)	ASTM E988-90
W5	0 and 2,300°C (32 and 4,172°F)	100°C (180°F)	ASTM E988-90

Millivolt Input Specifications

Table 4. Millivolt Input Range Limits and Span

Range Limits	Min. Span	Input Resistance
-800 and +800 mV	2.5 mV	10 M Ω

Ohms Resistance Input Specifications

Table 5. Ohms Resistance Input Range Limits and Span

Range Limits	Min. Span
0 and 7,000 Ω	25 Ω

Output Specifications

Signal range: 4 to 20 mA

Min. signal range: 16 mA

Updating time: 440 ms

Load resistance: $\leq (V_{\text{supply}} - 10) / 0.023$ [Ω]

with backlight: $\leq (V_{\text{supply}} - 12) / 0.023$ [Ω]

Sensor error detection, programmable: 3.5 to 23 mA

(shorted sensor error detection is ignored at TC and mV input)

NAMUR NE43 upscale: 23 mA

NAMUR NE43 downscale: 3.5 mA

Accuracy

Accuracy is the larger value from Table 6 or Table 7.

Table 6. General Values

Input Type	Absolute Accuracy	Temperature Coefficient
All	$\leq \pm 0.05\%$ of span	$\leq \pm 0.005\%$ of span/ $^{\circ}\text{C}$

Table 7. Basic Values

Input Type	Basic Accuracy	Temperature Coefficient
Pt100	$\leq \pm 0.1^{\circ}\text{C}$	$\leq \pm 0.005^{\circ}\text{C}/^{\circ}\text{C}$
Ni100	$\leq \pm 0.2^{\circ}\text{C}$	$\leq \pm 0.005^{\circ}\text{C}/^{\circ}\text{C}$
Resistance	$\leq \pm 0.1 \Omega$	$\leq \pm 5 \text{ m}\Omega/^{\circ}\text{C}$
Volt	$\leq \pm 10 \mu\text{V}$	$\leq \pm 0.5 \mu\text{V}/^{\circ}\text{C}$
TC type E, J, K, L, N, T, U	$\leq \pm 0.5^{\circ}\text{C}$	$\leq \pm 0.025^{\circ}\text{C}/^{\circ}\text{C}$
TC type B ¹ , R, S, W3, W5	$\leq \pm 1^{\circ}\text{C}$	$\leq \pm 0.1^{\circ}\text{C}/^{\circ}\text{C}$
TC type B ²	$\leq \pm 3^{\circ}\text{C}$	$\leq \pm 0.3^{\circ}\text{C}/^{\circ}\text{C}$
TC type B ³	$\leq \pm 8^{\circ}\text{C}$	$\leq \pm 0.8^{\circ}\text{C}/^{\circ}\text{C}$
TC type B ⁴	not specified	not specified

TC B¹ accuracy specification range: $> 400^{\circ}\text{C}$

TC B² accuracy specification range: $> 160^{\circ}\text{C} < 400^{\circ}\text{C}$

TC B³ accuracy specification range: $> 85^{\circ}\text{C} < 160^{\circ}\text{C}$

TC B⁴ accuracy specification range: $< 85^{\circ}\text{C}$

TC cold junction compensation: $< \pm 1.0^{\circ}\text{C}$

Max. offset on input signal: 50% of selec. max. value

EMC - immunity influence: $< \pm 0.1\%$ of span

Extended EMC immunity: NAMUR NE 21, A criterion, burst $< \pm 1\%$ of span

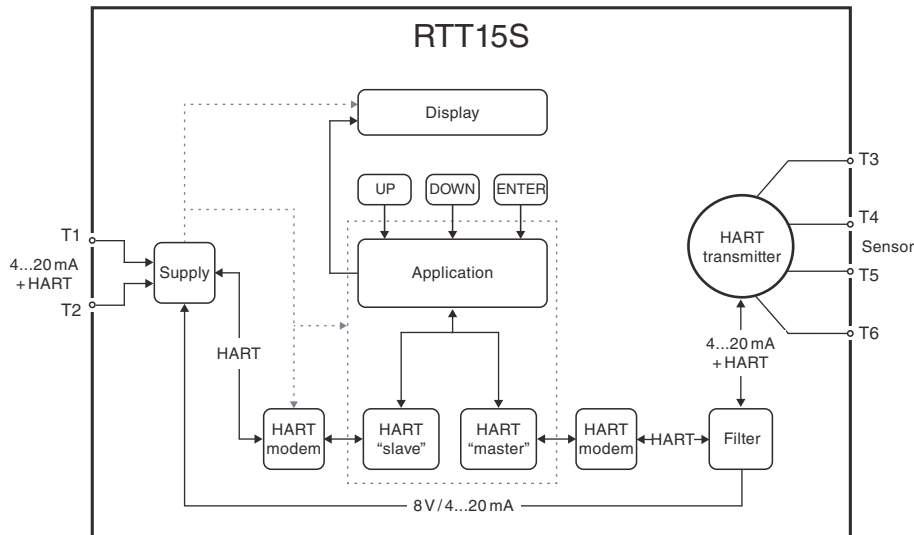
Variable Assignments

Table 8. Suggested HART Variable Assignments

Setup	Primary	Secondary	Tertiary	Fourth
RTD 2-, 3-, 4-wire	RTD			Electronic Temp
Differential RTD 2-wire	RTD Diff	RTD 1	RTD 2	Electronic Temp
Average RTD 2-wire	RTD Avg	RTD 1	RTD 2	Electronic Temp
TC with Internal or Constant CJC	TC			CJC Temp
TC with External CJC	TC			CJC Temp
Differential TC with Internal or Constant CJC	TC Diff	TC 1	TC 2	CJC Temp
Average TC with Internal or Constant CJC	TC Avg	TC 1	TC 2	CJC Temp
Differential TC with External CJC	TC Diff	TC 1	TC 2	CJC Temp
Average TC with External CJC	TC Avg	TC 1	TC 2	CJC Temp
mV	mV			Electronic Temp
Differential mV	mV Diff	mV 1	mV 2	Electronic Temp
Average mV	mV Avg	mV 1	mV 2	Electronic Temp

Block Diagram

Figure 3. Block Diagram for RTT15S



Electrical Safety Specifications

These transmitters have been designed to meet the electrical safety descriptions listed in the tables below when installed in accordance with MI 020-524. For detailed information or status of testing laboratory approvals/certifications, contact Global Customer Support.

Table 9. Electrical Safety Specifications - Transmitter with Housing

Agency Certification, Type of Protection, and Area Classification	Application Conditions	Electrical Safety Design Code
ATEX intrinsic safe II 1 G Ex ia IIC T6...T4 Ga II 1 D Ex ia IIIC T100°C Da	T4: $-40 \leq T_a \leq 85^\circ\text{C}$ T100°C (RTT15S-T...1, RTT15S-T...2) T4: $-40 \leq T_a \leq 80^\circ\text{C}$ T100°C (RTT15S-T...3, RTT15S-T...4) T5: $-40 \leq T_a \leq 60^\circ\text{C}$ T75°C T6: $-40 \leq T_a \leq 45^\circ\text{C}$ T60°C	AA
ATEX non sparking II 3 G Ex nA IIC T6...T4 Gc II 3 G Ex ic IIC T6...T4 Gc II 3 D Ex ic IIIC T100°C Dc Zone 2, 22	For Ex nA: O-Ring Sealing: Silicone T4: $-40 \leq T_a \leq 85^\circ\text{C}$ T4 (RTT15S-T...1, RTT15S-T...2) T4: $-40 \leq T_a \leq 80^\circ\text{C}$ T4 (RTT15S-T...3, RTT15S-T...4) T6: $-40 \leq T_a \leq 60^\circ\text{C}$ T6 O-Ring Sealing: FKM T4: $-20 \leq T_a \leq 85^\circ\text{C}$ (RTT15S-T...1, RTT15S-T...2) T4: $-20 \leq T_a \leq 80^\circ\text{C}$ (RTT15S-T...3, RTT15S-T...4) T6: $-20 \leq T_a \leq 60^\circ\text{C}$ For Ex ic: T4: $-40 \leq T_a \leq 85^\circ\text{C}$ T100°C (RTT15S-T...1, RTT15S-T...2) T4: $-40 \leq T_a \leq 80^\circ\text{C}$ T100°C (RTT15S-T...3, RTT15S-T...4) T6: $-40 \leq T_a \leq 60^\circ\text{C}$ T85°C	AN
ATEX Ex d (flameproof) II 2 G Ex d IIC T6...T4 Gb II 2 D Ex tb IIIC T100°C Db Zone 1, 2, 21, 22	For Ex d: T4, T5: $-40 \leq T_a \leq 85^\circ\text{C}$ (RTT15S-T...1, RTT15S-T...2) T4, T5: $-40 \leq T_a \leq 80^\circ\text{C}$ (RTT15S-T...3, RTT15S-T...4) T6: $-40 \leq T_a \leq 70^\circ\text{C}$ For Ex tb: O-Ring Sealing: Silicone $-40 \leq T_a \leq 85^\circ\text{C}$ T100°C (RTT15S-T...1, RTT15S-T...2) $-40 \leq T_a \leq 80^\circ\text{C}$ T100°C (RTT15S-T...3, RTT15S-T...4) $-40 \leq T_a \leq 70^\circ\text{C}$ T85°C O-Ring Sealing: FKM $-20 \leq T_a \leq 85^\circ\text{C}$ T100°C (RTT15S-T...1, RTT15S-T...2) $-20 \leq T_a \leq 80^\circ\text{C}$ T100°C (RTT15S-T...3, RTT15S-T...4) $-20 \leq T_a \leq 70^\circ\text{C}$ T85°C	AD
CSA intrinsic safe Class I, Division 1, Groups ABCD; Class II, Group EFG; Class III, Division 1. Class I, Zone 0, IIC Ex/AEx ia IIC Ga	T4: $-40 \leq T_a \leq 85^\circ\text{C}$ T100°C (RTT15S-T...1, RTT15S-T...2) T4: $-40 \leq T_a \leq 80^\circ\text{C}$ T100°C (RTT15S-T...3, RTT15S-T...4) T5: $-40 \leq T_a \leq 60^\circ\text{C}$ T75°C T6: $-40 \leq T_a \leq 45^\circ\text{C}$ T60°C	CA
CSA explosion proof Class I, Division 1, Groups ABCD; Class II, Division 1, Groups EFG; Class III Ex d IIC, Class I, Zone 1 (a)	T4, T5: $-20/-40 \leq T_a \leq 85^\circ\text{C}$ T100°C T6: $-20/-40 \leq T_a \leq 70^\circ\text{C}$ T85°C Silicone o-ring: $-40^\circ\text{C} \leq T_a \leq +85^\circ\text{C}$ FKM o-ring: $-20^\circ\text{C} \leq T_a \leq +85^\circ\text{C}$	CD
EAC intrinsic safe, Ex ia, Ex ic	Contact Global Customer Support	RA
EAC non sparking, Ex nA	Contact Global Customer Support	RN
EAC Ex d (flameproof)	Contact Global Customer Support	RD

Table 9. Electrical Safety Specifications - Transmitter with Housing (Continued)

Agency Certification, Type of Protection, and Area Classification	Application Conditions	Electrical Safety Design Code
FM intrinsic safe Class I, II, III, Division 1, Groups ABCDEFG Class 1, Zone 0, IIC, Zone 20	T4: $-40 \leq Ta \leq 85^{\circ}\text{C}$ T5: $-40 \leq Ta \leq 60^{\circ}\text{C}$ T6: $-40 \leq Ta \leq 40^{\circ}\text{C}$ Zone 20 Temperature Class: T4: $-40 \leq Ta \leq 85^{\circ}\text{C}$ T100°C T5: $-40 \leq Ta \leq 60^{\circ}\text{C}$ T75°C T6: $-40 \leq Ta \leq 40^{\circ}\text{C}$ T60°C	FA
FM nonincendive Class I, II, III, Division 2, Groups ABCDFG Class I, Zone 2, IIC	T4: $-20/-40 \leq Ta \leq 85^{\circ}\text{C}$ T6: $-20/-40 \leq Ta \leq 60^{\circ}\text{C}$ T60°C Silicone o-ring: $-40^{\circ}\text{C} \leq Ta \leq +85^{\circ}\text{C}$ FKM o-ring: $-20^{\circ}\text{C} \leq Ta \leq +85^{\circ}\text{C}$	FN
FM explosion proof, dust ignition proof Class I, II, III, Division 1, Groups ABCDEFG Class I Zone 1, Ex/AEx d IIC T6	T6: $-20/-40 \leq Ta \leq 70^{\circ}\text{C}$ T5, T4: $-20/-40 \leq Ta \leq 85^{\circ}\text{C}$ Silicone o-ring: $-40^{\circ}\text{C} \leq Ta \leq +85^{\circ}\text{C}$ FKM o-ring: $-20^{\circ}\text{C} \leq Ta \leq +85^{\circ}\text{C}$	FD
IECEx intrinsic safe Ex ia IIC T6...T4 Ga, Ex ia IIIC T100°C Da,	T4: $-40 \leq Ta \leq 85^{\circ}\text{C}$ T100°C (RTT15S-T...1, RTT15S-T...2) T4: $-40 \leq Ta \leq 80^{\circ}\text{C}$ T100°C (RTT15S-T...3, RTT15S-T...4) T5: $-40 \leq Ta \leq 60^{\circ}\text{C}$ T75°C T6: $-40 \leq Ta \leq 45^{\circ}\text{C}$ T60°C	EA
IECEx non sparking Ex nA IIC T6...T4 Gc Ex ic IIC T6...T4 Gc Ex ic IIIC T100°C Dc Zone 2, 22	For Ex nA: O-Ring Sealing: Silicone T4: $-40 \leq Ta \leq 85^{\circ}\text{C}$ T4 (RTT15S-T...1, RTT15S-T...2) T4: $-40 \leq Ta \leq 80^{\circ}\text{C}$ T4 (RTT15S-T...3, RTT15S-T...4) T6: $-40 \leq Ta \leq 60^{\circ}\text{C}$ T6 O-Ring Sealing: FKM T4: $-20 \leq Ta \leq 85^{\circ}\text{C}$ (RTT15S-T...1, RTT15S-T...2) T4: $-20 \leq Ta \leq 80^{\circ}\text{C}$ (RTT15S-T...3, RTT15S-T...4) T6: $-20 \leq Ta \leq 60^{\circ}\text{C}$ For Ex ic: T4: $-40 \leq Ta \leq 85^{\circ}\text{C}$ T100°C (RTT15S-T...1, RTT15S-T...2) T4: $-40 \leq Ta \leq 80^{\circ}\text{C}$ T100°C (RTT15S-T...3, RTT15S-T...4) T6: $-40 \leq Ta \leq 60^{\circ}\text{C}$ T85°C	EN
IECEx Ex d (flameproof) Ex d IIC T6...T4 Gb Ex tb IIIC T100°C Db Zone 1, 2, 21, 22	For Ex d: T4, T5: $-40 \leq Ta \leq 85^{\circ}\text{C}$ (RTT15S-T...1, RTT15S-T...2) T4, T5: $-40 \leq Ta \leq 80^{\circ}\text{C}$ (RTT15S-T...3, RTT15S-T...4) T6: $-40 \leq Ta \leq 70^{\circ}\text{C}$ For Ex tb: O-Ring Sealing: Silicone $-40 \leq Ta \leq 85^{\circ}\text{C}$ T100°C (RTT15S-T...1, RTT15S-T...2) $-40 \leq Ta \leq 80^{\circ}\text{C}$ T100°C (RTT15S-T...3, RTT15S-T...4) $-40 \leq Ta \leq 70^{\circ}\text{C}$ T85°C O-Ring Sealing: FKM $-20 \leq Ta \leq 85^{\circ}\text{C}$ T100°C (RTT15S-T...1, RTT15S-T...2) $-20 \leq Ta \leq 80^{\circ}\text{C}$ T100°C (RTT15S-T...3, RTT15S-T...4) $-20 \leq Ta \leq 70^{\circ}\text{C}$ T85°C	ED

Table 9. Electrical Safety Specifications - Transmitter with Housing (Continued)

Agency Certification, Type of Protection, and Area Classification	Application Conditions	Electrical Safety Design Code
INMETRO intrinsic safe Ex ia IIC T6...T4 Ga Ex ia IIIC T100°C Da	T4: $-40 \leq Ta \leq 85^{\circ}\text{C}$ T100°C (RTT15S-T...1, RTT15S-T...2) T4: $-40 \leq Ta \leq 80^{\circ}\text{C}$ T100°C (RTT15S-T...3, RTT15S-T...4) T5: $-40 \leq Ta \leq 60^{\circ}\text{C}$ T100°C T6: $-40 \leq Ta \leq 45^{\circ}\text{C}$ T100°C	BA
INMETRO non sparking Ex nA IIC T6...T4 Gc Ex ic IIC T6...T4 Gc Zone 2	For Ex nA: O-Ring Sealing: Silicone T4: $-40 \leq Ta \leq 85^{\circ}\text{C}$ T4 (RTT15S-T...1, RTT15S-T...2) T4: $-40 \leq Ta \leq 80^{\circ}\text{C}$ T4 (RTT15S-T...3, RTT15S-T...4) T6: $-40 \leq Ta \leq 60^{\circ}\text{C}$ T6 O-Ring Sealing: FKM T4: $-20 \leq Ta \leq 85^{\circ}\text{C}$ (RTT15S-T...1, RTT15S-T...2) T4: $-20 \leq Ta \leq 80^{\circ}\text{C}$ (RTT15S-T...3, RTT15S-T...4) T6: $-20 \leq Ta \leq 60^{\circ}\text{C}$ For Ex ic: T4: $-40 \leq Ta \leq 85^{\circ}\text{C}$ (RTT15S-T...1, RTT15S-T...2) T4: $-40 \leq Ta \leq 80^{\circ}\text{C}$ (RTT15S-T...3, RTT15S-T...4) T6: $-40 \leq Ta \leq 60^{\circ}\text{C}$	BN
INMETRO Ex d (flameproof) Ex d IIC T6...T4 Gb Ex tb IIIC T100°C Db Zone 1, 2, 21, 22	For Ex d: T4, T5: $-40 \leq Ta \leq 85^{\circ}\text{C}$ (RTT15S-T...1, RTT15S-T...2) T4, T5: $-40 \leq Ta \leq 80^{\circ}\text{C}$ (RTT15S-T...3, RTT15S-T...4) T6: $-40 \leq Ta \leq 70^{\circ}\text{C}$ For Ex tb: O-Ring Sealing: Silicone $-40 \leq Ta \leq 85^{\circ}\text{C}$ T100°C (RTT15S-T...1, RTT15S-T...2) $-40 \leq Ta \leq 80^{\circ}\text{C}$ T100°C (RTT15S-T...3, RTT15S-T...4) $-40 \leq Ta \leq 70^{\circ}\text{C}$ T100°C O-Ring Sealing: FKM $-20 \leq Ta \leq 85^{\circ}\text{C}$ T100°C (RTT15S-T...1, RTT15S-T...2) $-20 \leq Ta \leq 80^{\circ}\text{C}$ T100°C (RTT15S-T...3, RTT15S-T...4) $-20 \leq Ta \leq 70^{\circ}\text{C}$ T100°C	BD
NEPSI intrinsic safe Ex ia IIC T6...T4 Ga, Ex ia IIIC T100°C Da,	T6: $-20/-40 \leq Ta \leq 70^{\circ}\text{C}$ T5,T4: $-20/-40 \leq Ta \leq 85^{\circ}\text{C}$ Silicone o-ring: $-40^{\circ}\text{C} \leq Ta \leq +85^{\circ}\text{C}$ FKM o-ring: $-20^{\circ}\text{C} \leq Ta \leq +85^{\circ}\text{C}$	NA
NEPSI non sparking Ex nA IIC T6...T4 Gc Ex ic IIC T6...T4 Gc Ex ic IIIC T100°C Dc Zone 2, 22	T4: $-40 \leq Ta \leq 85^{\circ}\text{C}$ T100°C (RTT15S-T...1, RTT15S-T...2) T4: $-40 \leq Ta \leq 80^{\circ}\text{C}$ T100°C (RTT15S-T...3, RTT15S-T...4) T5: $-40 \leq Ta \leq 60^{\circ}\text{C}$ T75°C T6: $-40 \leq Ta \leq 45^{\circ}\text{C}$ T60°C	NN

Table 10. Electrical Safety Specifications - Transmitter Module without Housing

Agency Certification, Type of Protection, and Area Classification	Application Conditions	Electrical Safety Design Code
ATEX intrinsic safe II 1 G Ex ia IIC T6...T4 Ga II 1 D Ex ia IIIC Da	T4: $-40 \leq Ta \leq 85^{\circ}\text{C}$ T6: $-40 \leq Ta \leq 45^{\circ}\text{C}$	AA
CSA intrinsic safe Ex/AEx ia IIC Ga Class I, Division 1, Groups ABCD;	T4: $-40 \leq Ta \leq 85^{\circ}\text{C}$ T6: $-40 \leq Ta \leq 60^{\circ}\text{C}$	CA
EAC intrinsic safe, Ex ia, Ex ic	Contact Global Customer Support	RA
FM intrinsic safe Class I, Division 1, Groups ABCD Class I, Zone 0, IIC	T4: $-40 \leq Ta \leq 85^{\circ}\text{C}$ T6: $-40 \leq Ta \leq 60^{\circ}\text{C}$	FA
FM nonincendive Class I, Division 2, Groups ABCD Class I, Zone 2, IIC	T4: $-40 \leq Ta \leq 85^{\circ}\text{C}$ T6: $-40 \leq Ta \leq 60^{\circ}\text{C}$	FN
IECEX intrinsic safe Ex ia IIC T6...T4 Ga Ex ia IIIC Da	T4: $-40 \leq Ta \leq 85^{\circ}\text{C}$ T6: $-40 \leq Ta \leq 45^{\circ}\text{C}$	EA
NEPSI intrinsic safe Ex ia IIC T6...T4 Ga Ex ia IIIC Da	T4: $-40 \leq Ta \leq 85^{\circ}\text{C}$ T6: $-40 \leq Ta \leq 45^{\circ}\text{C}$	NA

2. Installation

The following material provides information and procedures for installing the RTT15S transmitter. For dimensional information, refer to DP 020-470.

Installation shall be carried out in accordance with the applicable code of practice (typically IEC 60079-14) by suitably-trained personnel.

There are no special checking or maintenance conditions. All explosion-protected equipment should be periodically inspected in accordance with the applicable code of practice (typically IEC 60079-17). The interval between inspections should not normally exceed 3 years, unless justification for a longer interval is given.

With regard to explosion safety, it is not necessary to check for correct operation.

— **NOTE** —

Use a suitable thread sealant on all connections.

⚠ WARNING

For all RTT15S Transmitters with an aluminum housing: When used in a potentially explosive atmosphere requiring apparatus of equipment category 1 G, the transmitter must be installed so that, even in the event of rare instances, an ignition source due to impact or friction between the enclosure and iron/steel is excluded. This shall be considered during installation, particularly if the equipment is installed in a Zone 0 location.

NOTICE

When screwing the cover on or off, make sure the thread surface is free of dust, grit, or other impurities. These can cause the cover to seize or damage the threads.

Never use force to screw on the cover.

Should it be necessary to open the connection head cover after operation at maximum temperature, be aware that the cover may not give when you attempt to open it by hand. If this happens, keep the cover under tension with your hand and hit the cover gently with a rubber mallet.

⚠ CAUTION

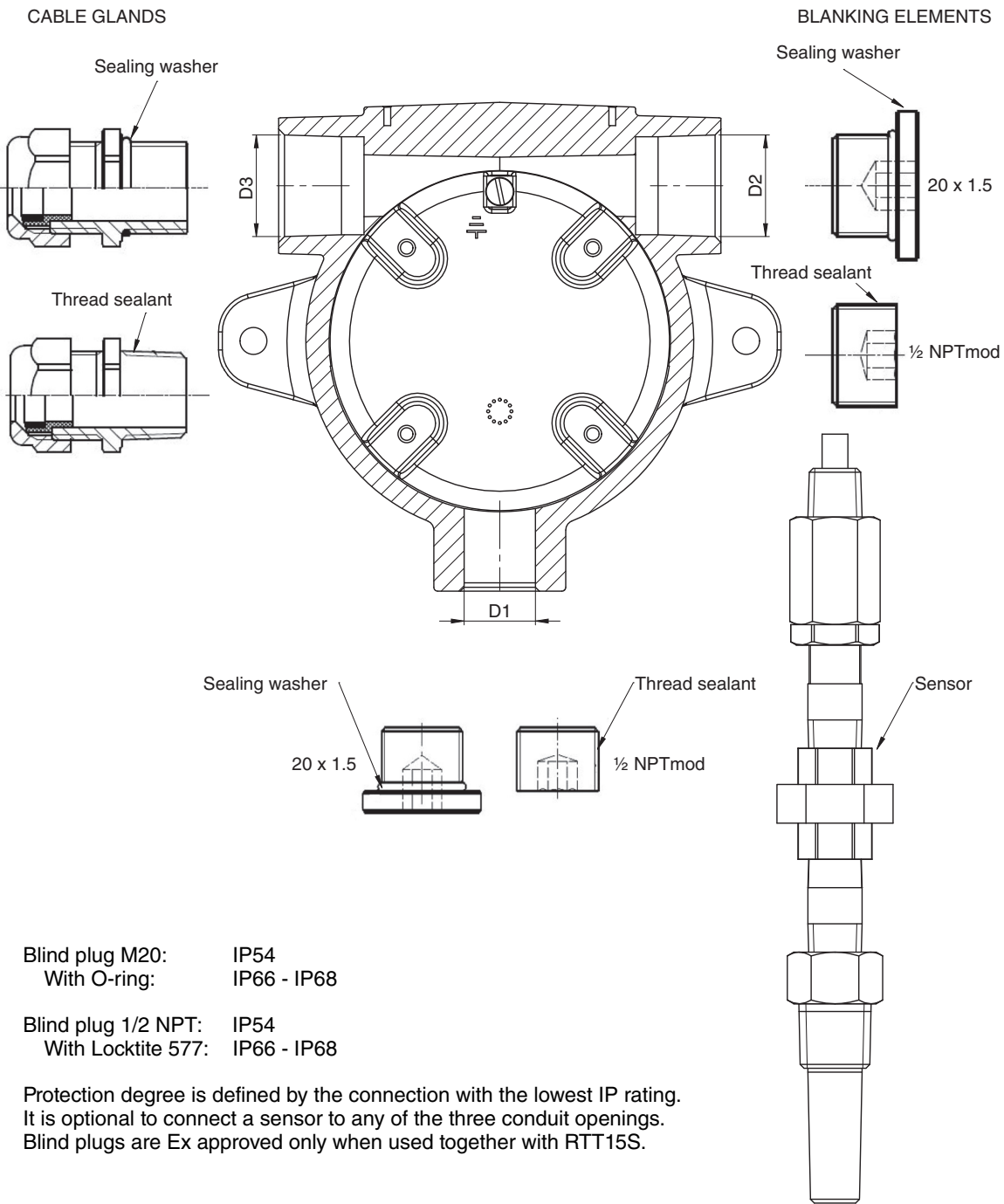
Bare sensor or thermowell mounting to the 316 ss housing should not be used in high vibration areas.

The RTT15S is only certified for use in ambient temperatures marked on the equipment and should not be used outside this range.

CAUTION

The maximum process pressure indicated on the marking must not be exceeded.
 The maximum permitted ambient temperature of the RTT15S transmitter is 85°C.
 To avoid the effects of process temperature and other thermal effects, ensure that the electronics housing temperature does not exceed an ambient temperature of 85°C.

Figure 4. Protection Degree



Mounting

The basic transmitter can be mounted on a DIN rail or to a flat surface. The transmitter in a field housing can be pipe mounted, surface mounted, mounted directly to a bare sensor, or thermowell mounted. See Figures 5 through 9. For extremely high process temperatures, a remote mounted sensor is recommended. Also, the mounting stability can influence how the sensor is attached to the transmitter. If the process vessel is highly insulated and the thermowell has considerable lagging, a remote mounted transmitter attached to a 50 mm (2 inch) pipe is recommended. When mounting the transmitter, take into account the necessary room to remove the cover.

Figure 5. Surface Mounting

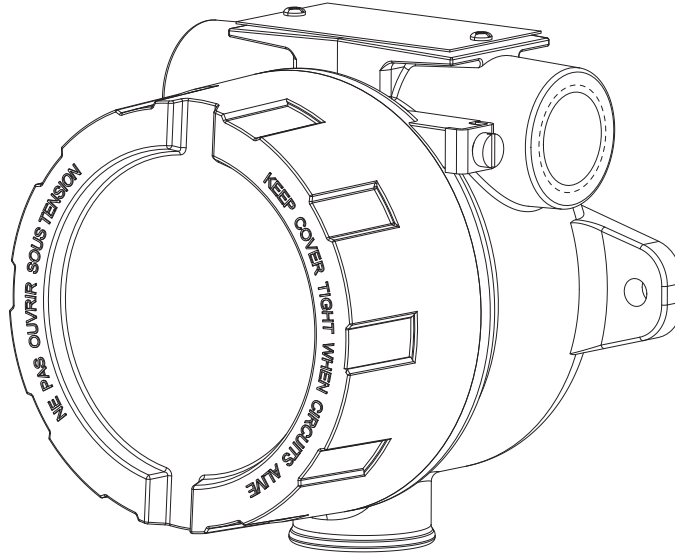


Figure 6. Pipe Mounting

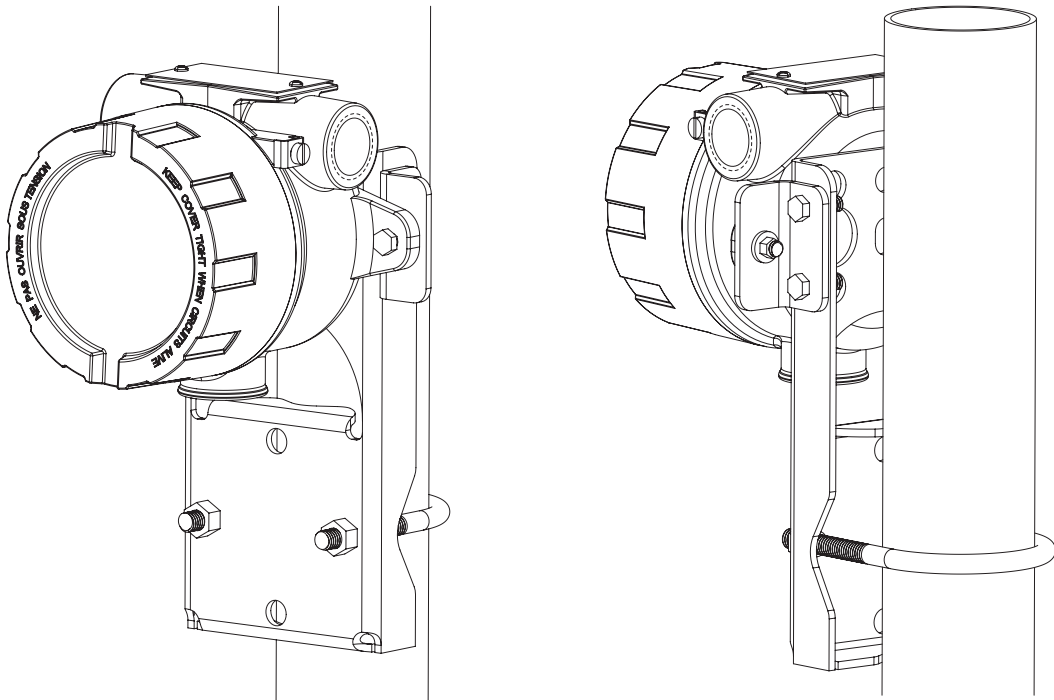


Figure 7. Mounting Bracket Assembly

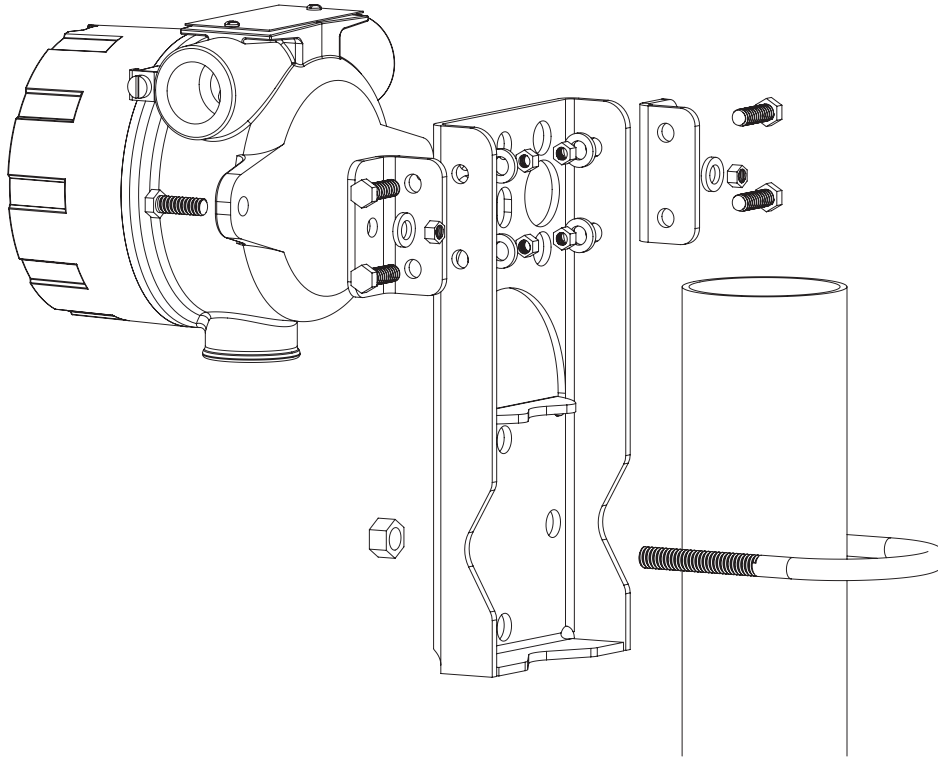


Figure 8. Basic Module Mount

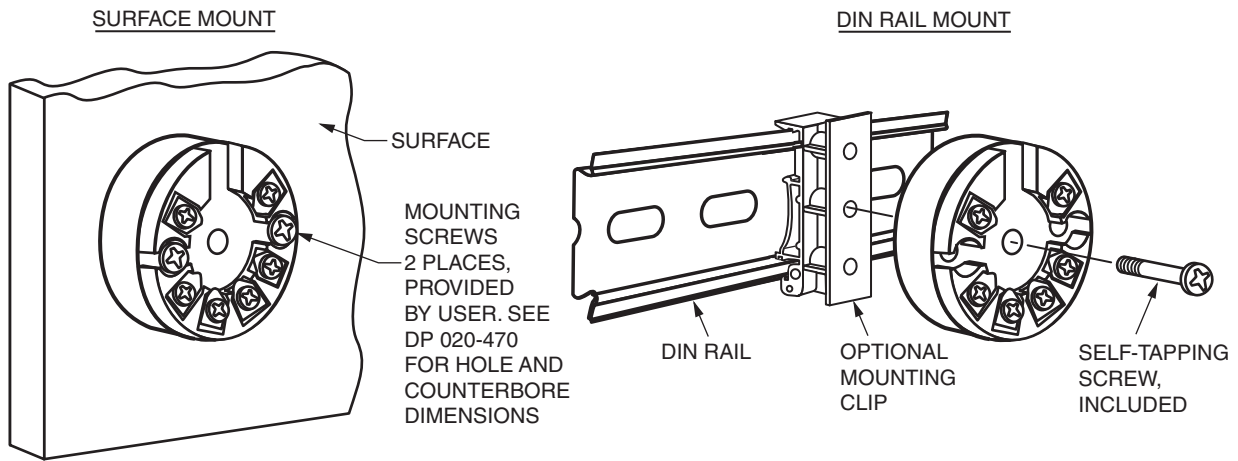


Figure 9. Thermowell Mount

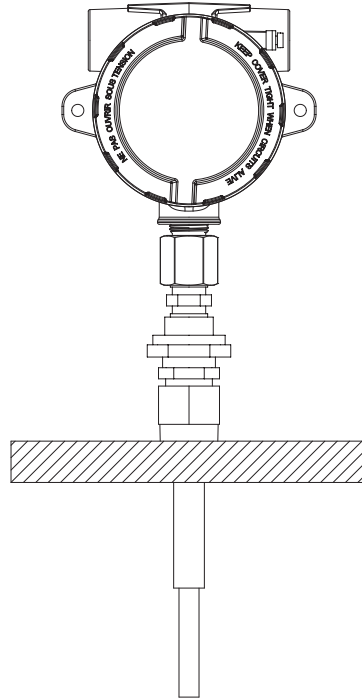


Table 11. Earth Terminal and Protection Terminal

Placement	Type	Cable Cross Section (mm ²)	
		Stranded Wire	Solid Wire
Inside	Protection terminal	1.5	2.5
Outside	Earth terminal	4.0	6.0

Wiring

Your transmitter must be installed to meet all local installation regulations, such as hazardous location requirements and electrical wiring codes. Persons involved in the installation must be trained in these code requirements. To maintain agency certification, your transmitter must also be installed in accordance with the agency requirements.

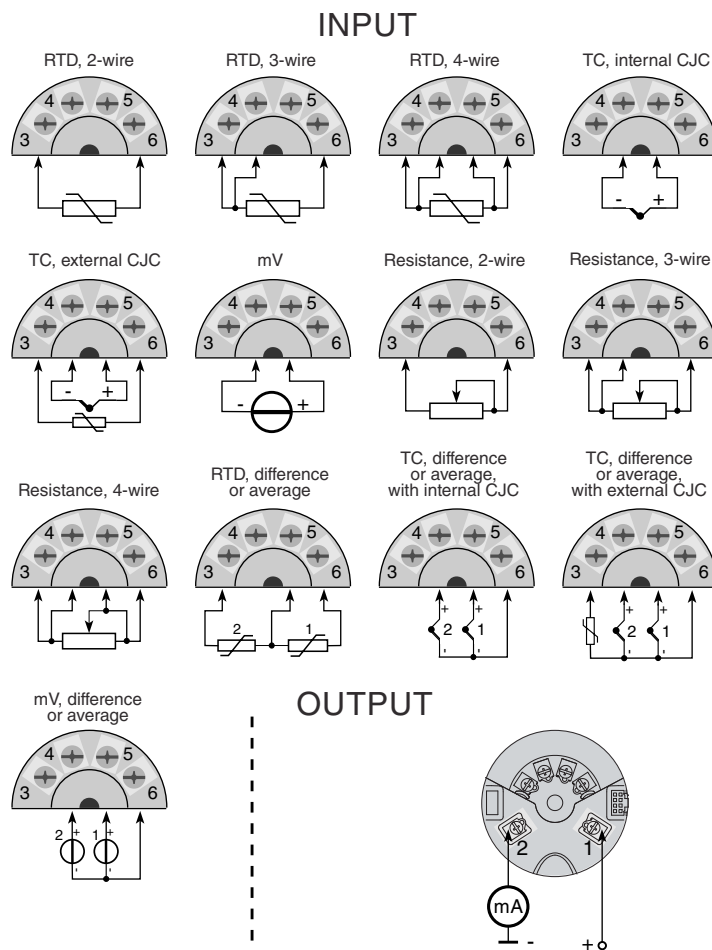
NOTE

The use of transient/surge protection is recommended in installations prone to high levels of electrical transients and surges.

Connections

There are six terminals on the basic module for input and output connections. Terminals 1 and 2 are for measurement output and terminals 3 through 6 are for RTD, TC, ohm, or mV sensor inputs. Dual inputs for average and difference measurement must be of the same linearization type (for example, a thermocouple cannot be used with an RTD).

Figure 10. Connections



Loop Wiring

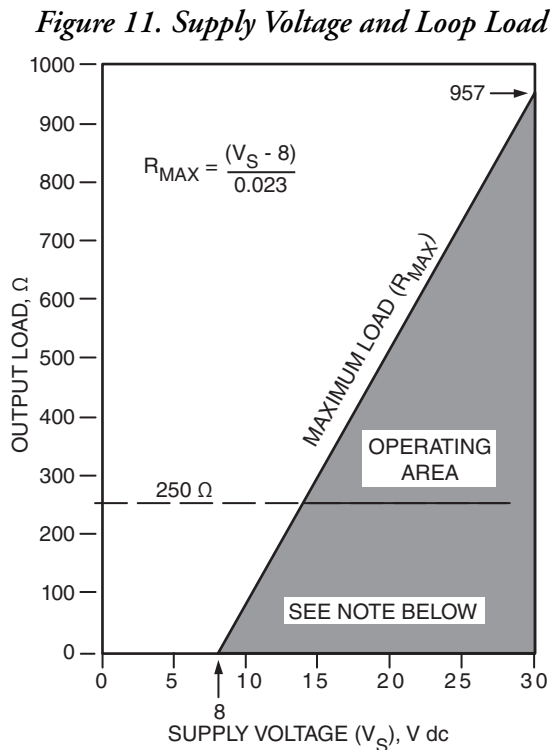
When wiring the transmitter, the supply voltage and loop load must be within specified limits. The supply output load vs. voltage relationship is:

$$R_{\max} = (V - 8) / 0.023 \text{ and is shown in Figure 11.}$$

Any combination of supply voltage and loop load resistance in the shaded area can be used. To determine the loop load resistance (transmitter output load), add the series resistance of each component in the loop, excluding the transmitter. The power supply must be capable of supplying 23 mA of loop current.

— NOTE

The maximum voltage is 28 V dc for transmitters certified as intrinsically safe.



NOTE

The transmitter will function with an output load less than 250Ω provided that a HART Communicator or PC-based Configurator is not connected to it. Use of a HART Communicator or PC-based Configurator requires 250Ω minimum load.

Examples:

- ◆ For a loop load resistance of 500Ω the supply voltage can be any value from 21.7 to 30 V dc.
- ◆ For a supply voltage of 24 V dc, the loop load resistance can be any value from 250 to 696Ω (zero to 696Ω without a HART communicator connected to the transmitter).

To wire one or more transmitters to a power supply, proceed with the following steps.

1. Remove the cover from the transmitter field terminals compartment.
2. Run signal wires (0.50 mm² or 20 AWG, typical) to the transmitter. Use twisted single pair to protect the 4 to 20 mA output and/or remote communications from electrical noise. Maximum recommended length for signal wires is:
 - ◆ 3050 m (10,000 ft) **using single pair cable** and adhering to requirements of HART physical layer implementation defined in HART Document HCF_SPEC-53. Use CN=1 when calculating max. lengths.
 - ◆ 1525 m (5000 ft) in a multidrop mode (15 devices recommended maximum). Screened (shielded) cable could be required in some locations.

— **NOTE** —

Do not run transmitter wires in same conduit as mains (ac power) wires.

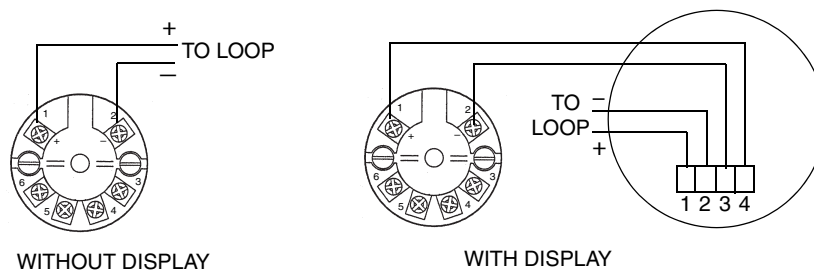
3. If shielded cable is used, earth (ground) the shield at the power supply **only**. Do not ground the shield at the transmitter.
4. If housing is used, plug any unused conduit connection with a metal plug.
5. Connect an earth (ground) wire to the earth terminal in accordance with local practice.

CAUTION

If the signal circuit must be earthed (grounded), it is preferable to do so at the negative terminal of the dc power supply. To avoid errors resulting from earth loops or the possibility of short-circuiting groups of instruments in a loop, there should be only one earth in a loop.

6. Referring to Figure 12, connect the power supply and receiver loop wires to
 - ◆ The “+” and “-” terminal connections on the transmitter (with no display)
 - ◆ The “1” and “2” terminals on the display (if applicable).

Figure 12. Loop Wire Connections



7. Connect receivers (such as controllers, recorders, indicators) in series with power supply and transmitter as shown in Figure 13.
8. If a housing is used, install the cover onto the housing.

9. If wiring additional transmitters to the same power supply, repeat Steps 1 through 8 for each additional transmitter. The setup with multiple transmitters connected to a single power supply is shown in Figure 14.
10. The HART communicator can be connected in the loop between the transmitter and the power supply as shown in Figure 13 and Figure 14. Note that a minimum of 250 Ω must separate the power supply from the HART communicator.

Figure 13. Transmitter Loop Wiring

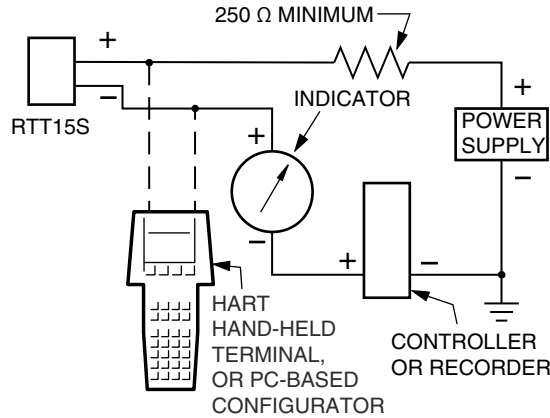
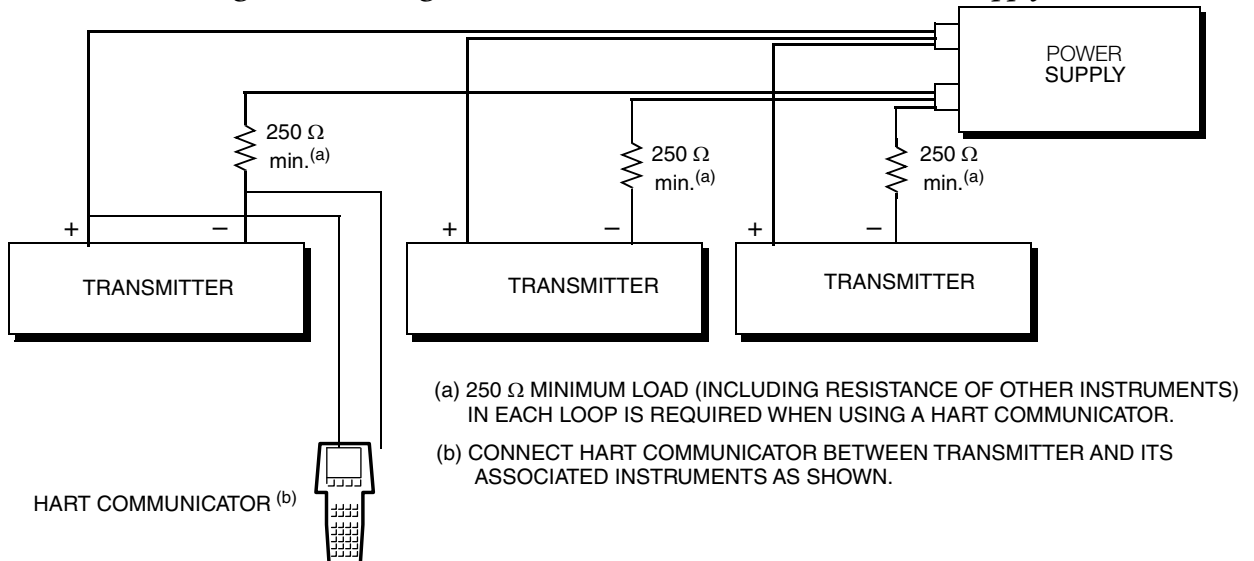


Figure 14. Wiring Several Transmitters to a Common Power Supply



Assembly and Disassembly

To connect sensor wires to the RTT15S or change the orientation of the display, the housing must be disassembled, and the optional display unit (if present) must be extracted. Refer to the following diagrams.

⚠ WARNING

Disconnect power to the device before disassembly.

1. Using a 2 mm hex key, release the locking screw on the housing. See Figure 15.
2. Unscrew the housing lid by turning it counterclockwise.
3. If the device has an optional display, press and hold the two locking tabs located on either side of the display unit. See Figure 16. Hold the tabs and pull the display unit outwards to remove it. See Figure 17. You can now rotate the display in increments of 90 degrees for the best viewing angle.

Figure 15. Locking Screw

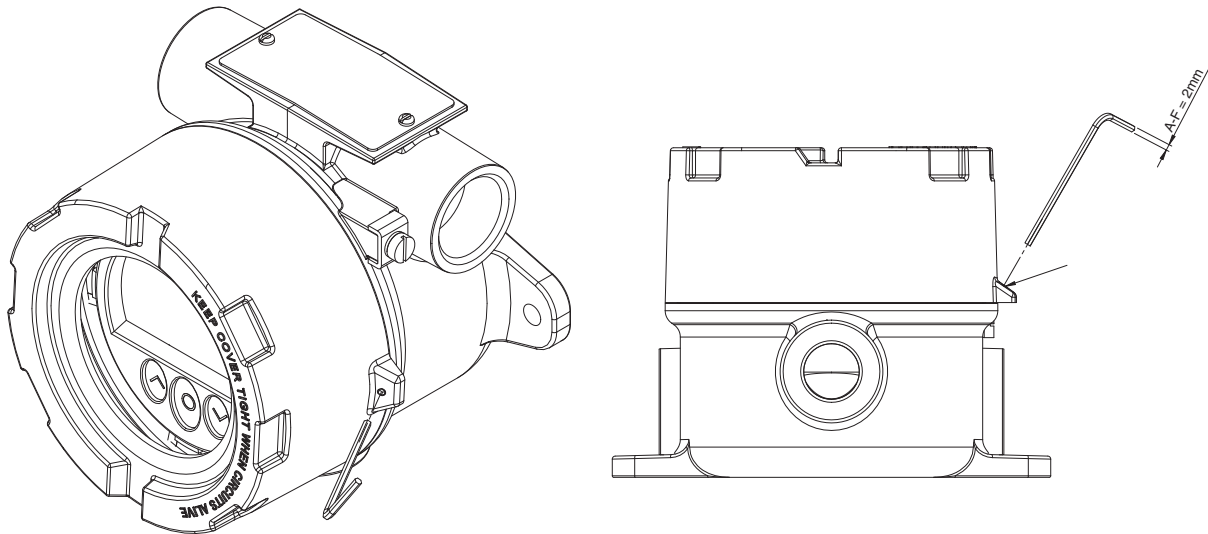


Figure 16. Locking Tabs

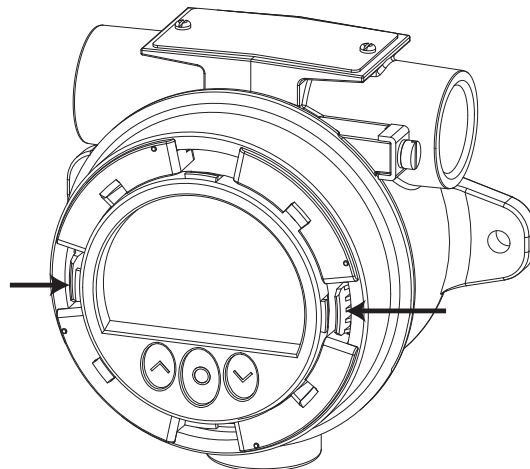
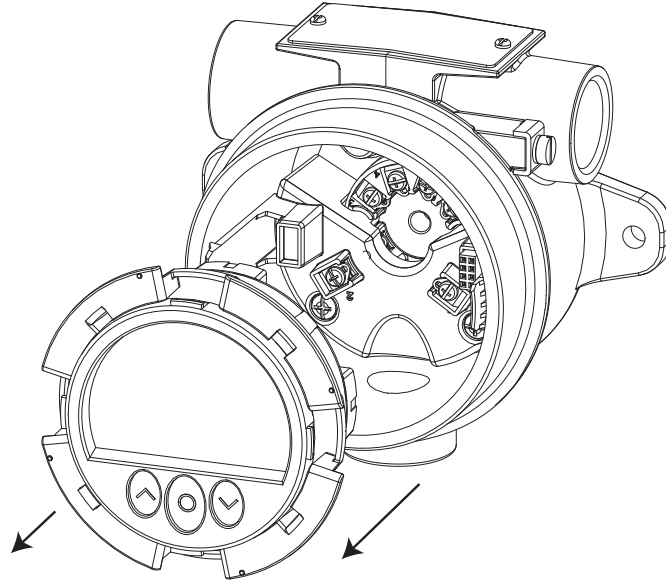
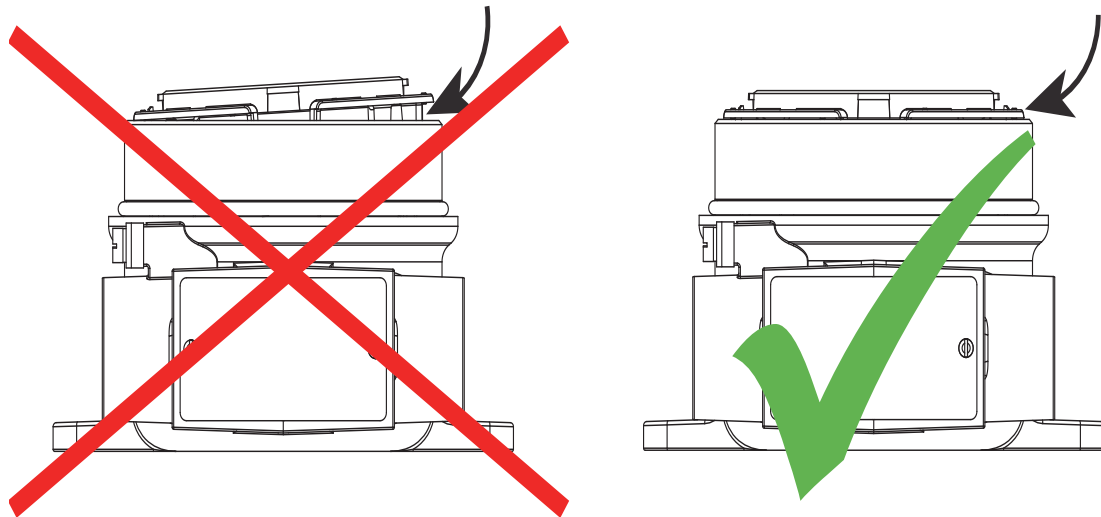


Figure 17. Removing the Display Unit

To re-assemble the RTT15S, reverse the disassembly steps, taking the following precautions when reinstalling the optional display unit:

- ◆ Before inserting the display, note the location of the female 8-pin connector in the housing.
- ◆ Insert the display unit straight into the housing. Take care not to insert it at an angle.
- ◆ Press down on the locking tab that is on the same side as the female 8-pin connector. It should click into place. Then press the locking tab on the opposite side.
- ◆ Ensure that the display unit is flush, as shown in Figure 18.

Figure 18. Repositioning the Display

Multidrop Communication

“Multidrop” refers to the connection of several transmitters to a single communications transmission line. Communications between the host computer and the transmitters takes place digitally with the analog output of the transmitter deactivated. With the HART communications protocol, multiple transmitters can be connected on a single twisted pair of wires or over leased telephone lines.

The application of a multidrop installation requires consideration of the update rate necessary from each transmitter, the combination of transmitter models, and the length of the transmission line. Multidrop installations are not recommended where Intrinsic Safety is a requirement.

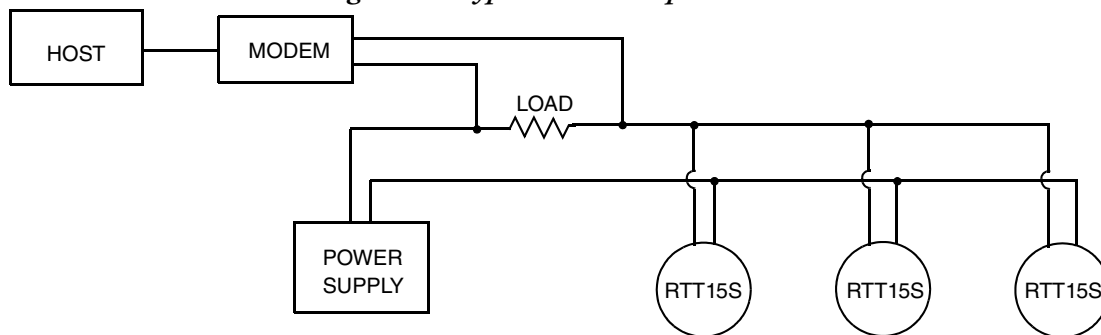
The outputs of up to 63 transmitters can be connected in parallel for a digital HART 7 communication on 2-wire connections. For HART 5, the outputs of up to 15 transmitters can be connected in the same way.

Before they are connected, each transmitter must be configured with a unique polling address ranging from 1 to 63 (HART 7) or 1 to 15 (HART 5). If two transmitters are configured with the same address, both will be excluded. The transmitter must be configured for multidrop mode with a fixed output signal of 4 mA. The maximum current in the loop is therefore 252 mA (HART 7) or 60 mA (HART 5).

Communication occurs with either a HART communicator or a HART modem. The configuration software can configure the individual transmitter for multidrop mode and provide it with a unique polling address.

Figure 19 shows a typical multidrop networks. Do not use these figures as installation diagrams. Refer to the HART Communications Foundation (<http://www.hartcomm.org/>) for specific requirements for multidrop applications.

Figure 19. Typical Multidrop Network



3. Configuration and Operation

Calibration

Your RTT15S temperature transmitter is a highly stable transmitter that was calibrated at the factory. There is no need to recalibrate the digital value of the measurement. Therefore, no calibration feature is provided.

Using the Optional Display

The 96 x 64 pixel display can be rotated in 90-degree increments for easy vertical or horizontal viewing. The adjustable backlight enables you to view process values in all lighting conditions without an external light source, and it flashes if an error occurs. Both the optional backlight and the flashing error backlight can be selected as red or white, or turned off completely. (See “Display Menu” on page 43.)

Using the Optical Buttons

The user interface of the optical configurator features three optical buttons. (See Table 12.) The buttons can be operated either with or without gloves.

— NOTE —

Dark-colored gloves can cause reduced sensitivity.

The buttons are immune to interference from ambient light sources and other panel meters, including other RTT15S devices mounted in close proximity. Additionally, the optical buttons are adaptive, meaning that they adapt to wear and smudges left on the surface. The buttons work both with and without a front cover mounted.

The buttons can actuate when a finger is held very close to a button, even if it is not touching the button or glass. To avoid inadvertent button-presses, do not allow fingers to “hover” over the buttons.

If a rapid increase in optical reflection occurs, as from mounting the cover or from dust/dirt on the glass, the buttons may activate. If a key-press is detected for a period of more than 70 seconds, it is assumed to be an erroneous key-press, and the adaptive functionality re-initializes in order to restore correct keypad functionality. This re-initialization can also be done by repowering the device.

Table 12. Display Buttons

Button Press	Function
^	In monitor view: Switch to the next process variable. In the optional configurator: Increase the value of the selected parameter (unless device is write-protected).
∨	In monitor view: Switch to the previous process variable. In the optional configurator: Decrease the value of the selected parameter (unless device is write-protected).
○	Accept the chosen value and/or proceed to the next parameter.
Hold ^	Progressively increase (scroll) the numeric value (unless device is write-protected).
Hold ∨	Progressively decrease (scroll) the numeric value (unless device is write-protected).
Hold ○	Exit; ignore the chosen value and return to the previous parameter.
Hold ^ + ∨	Unlock the monitor view and enter the configuration menu. (a)

a. If the error color (set in the Display Menu) is set to red or white and the display backlight is flashing, the first key press cancels the flashing backlight.

Key presses are reflected in the symbols bar. See Table 13.

Display Views

The appearance of the display changes to reflect the state of the device. This allows for intuitive operation and status indication, and guides you in configuring the device.

The symbols bar provides information on the state of the device.

Table 13. Symbols Bar

Icon	Meaning
↑	Up button is pressed
↓	Down button is pressed
⊙	Enter button is pressed
⏴	Saving configuration to internal memory
🔒	Device is locked or write-protected
↑↓	Current process value tendency indicators
⚡	External HART communication indicator
⚡	Internal communication indicator
✖	External HART communication error

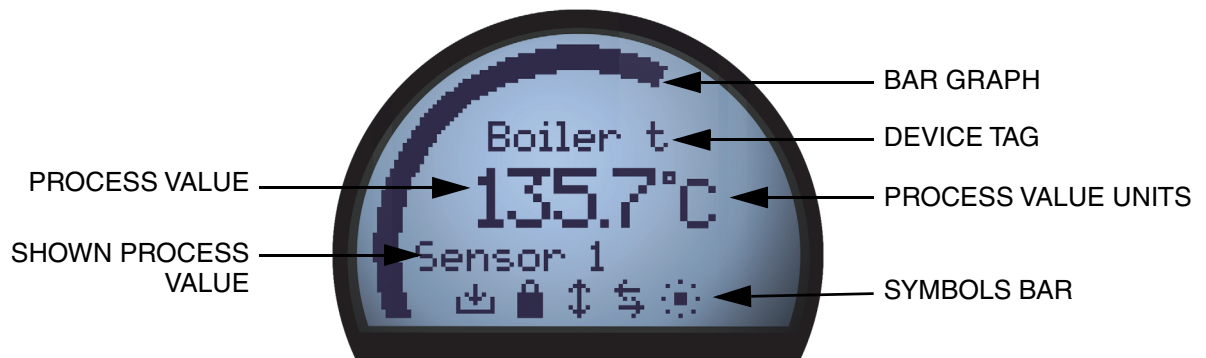
Monitoring View

Through the housing glass, you can easily monitor the process value in the configured units. A bar graph indicates the process magnitude at a glance. The device tag is shown at the top of the display.

The device tag makes it easy to identify the displayed process value. Change it by pressing either the \wedge or \vee optical button.

At the bottom of the display, the symbols present information on the current state of the device. (See Table 13.)

Figure 20. Monitoring View

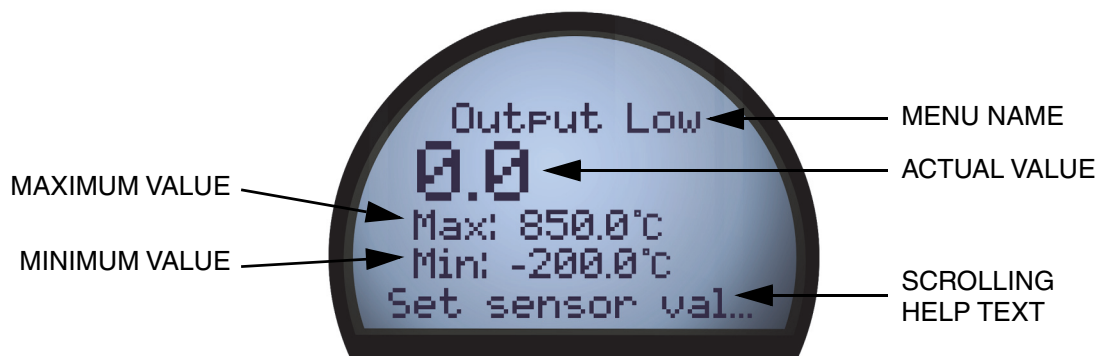


Programming View

To enter the programming view, press and hold both the \wedge and \vee optical buttons. The programming views guide you in setting up the device. The name of the selected parameter is shown at the top of the display, with the selected value just below. Change the value by pressing the \wedge or \vee optical button.

Where applicable, information on legal range and currently configured units is also displayed. At the bottom, scrolling text provides help on the parameter you are modifying.

Figure 21. Programming View

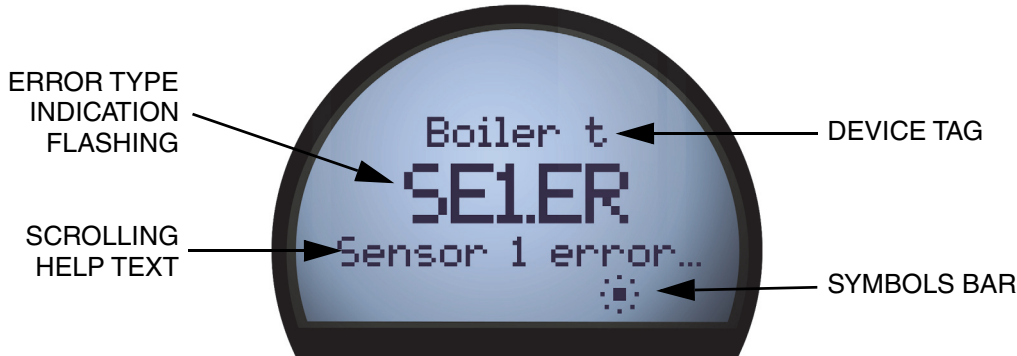


Diagnostics View

The display can be configured to flash in red or white backlight if a sensor or device error occurs. The display shows the status or error message in large letters, and scrolling text provides further information. The device tag is shown at the top of the display, and the symbols bar at the bottom indicates the state of the device.

For a detailed description of the different types of diagnostics messages, see “Device and Sensor Status Indication”.

Figure 22. Diagnostics View



Device and Sensor Status Indication

The RTT15S is capable of displaying diagnostics information for the sensors and the device. These diagnostics can be divided into four categories: Sensor status, sensor errors, device status, and device errors.

Table 14. Sensor Status (a)

Condition	Display Text
Sensor 1 exceeds upper sensor limit	IN.HI
Sensor 2 exceeds upper sensor limit	
CJC sensor exceeds upper CJC sensor limit	
Sensor 1 exceeds lower sensor limit	IN.LO
Sensor 2 exceeds lower sensor limit	
CJC sensor exceeds lower CJC sensor limit	

a. The scrolling help text identifies the affected sensor.

Table 15. Sensor Errors (a)

Condition	Display Text
Sensor 1 error	SE1.ER
Sensor 2 error	SE2.ER
CJC sensor error	CJC.ER
Internal temperature sensor error	

a. Check wiring and replace sensor if necessary.

Table 16. Device Status

Condition	Display Text
Configuration is being re-synchronized	SYNC.DEV (a)
New device attached and configuration is being updated	NEW.DEV (a)
Last process calibration failed	CA.ER (b)

- a. This message will disappear after a few seconds and the display will enter monitoring view.
- b. Perform a new process calibration or reset the calibration to cancel this error. See the section “Using the Optional Display” on page 33.

Table 17. Device Errors (a)

Condition	Display Text
A/D converter error	ADC.ER
EEPROM memory error	EE.ER
RAM memory error	RA.ER
Flash memory error	FL.ER
Exception error during code execution	SW.ER
Internal communication error	COM.ER

- a. A device malfunction has occurred. To clear this error, repower the device or reconfigure using the display. If the error is persistent, it will reappear and the device may have to be replaced.

Configuring the RTT15S

The RTT15S can be configured in one of the following ways:

- ◆ Via the optical buttons and the display; see “Using the Optical Configurator” on page 39.
- ◆ With a HART modem; see Figure 23.
- ◆ With a HART-compliant handheld communicator equipped with the RTT15S DD driver; see Figure 24.

Figure 23. Programming with a HART Modem

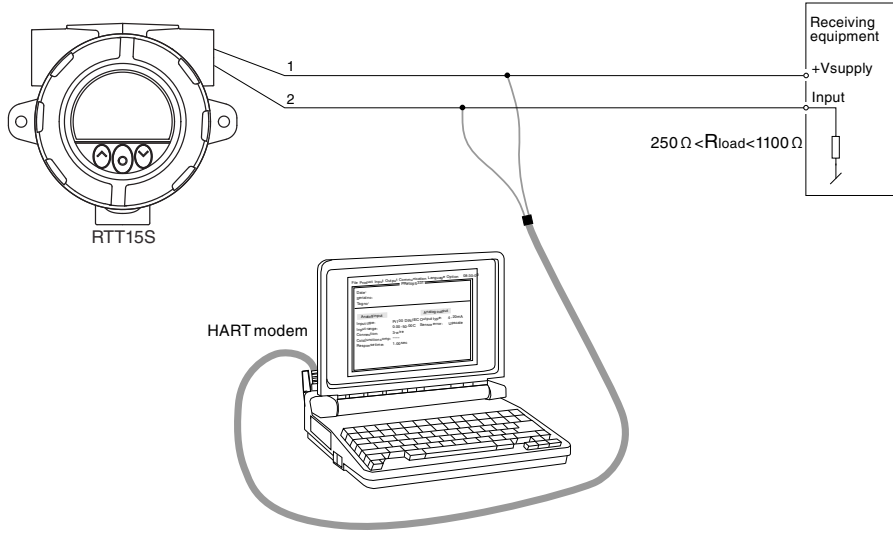
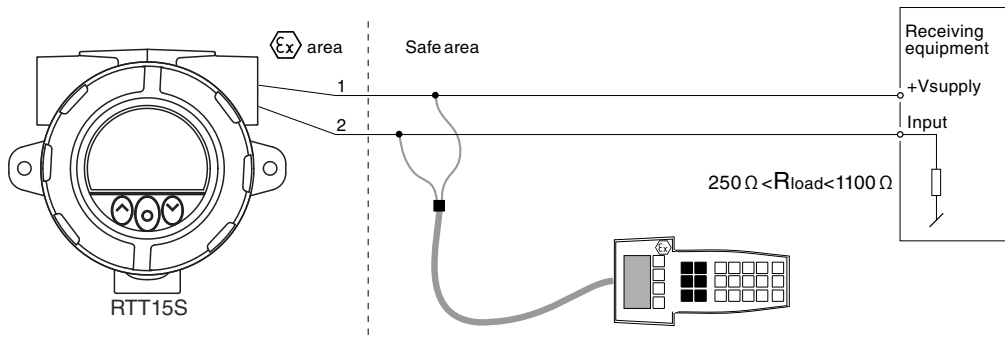


Figure 24. Programming with a HART Communicator



Changing the HART Protocol Version

You can change the HART protocol version of the device by means of the optical configurator; using a HART modem; or using other HART configuration tools such as a HART communicator.

Using the Optical Configurator

Changing the revision is done from the HART Revision menu under the advanced configuration menu. Use the optical buttons to select the desired HART version. Press the Enter button to accept the revision and change to the Save view. Select Yes and press Enter to acknowledge the change, or select No and press Enter to cancel.

Using a HART Communicator

1. From the Online menu, enter Device setup – Diag/Service.
2. Select Write protection and Write protect. Enter “*****” (eight stars) as the password.
3. Select New password. Type “*****” (eight stars) to confirm the current password, and then “HARTREV5” or “HARTREV7” as the new password, depending on the desired version.
4. Select Write enable and enter “-CHANGE-”.

Using the Optical Configurator

Exiting the monitor view allows you to configure the RTT15S with the optical buttons. (See Table 12.)

The optical configurator menu is divided into 2 parts: Basic Configuration and Advanced Configuration. For each menu item, scrolling help text is automatically shown in the display.

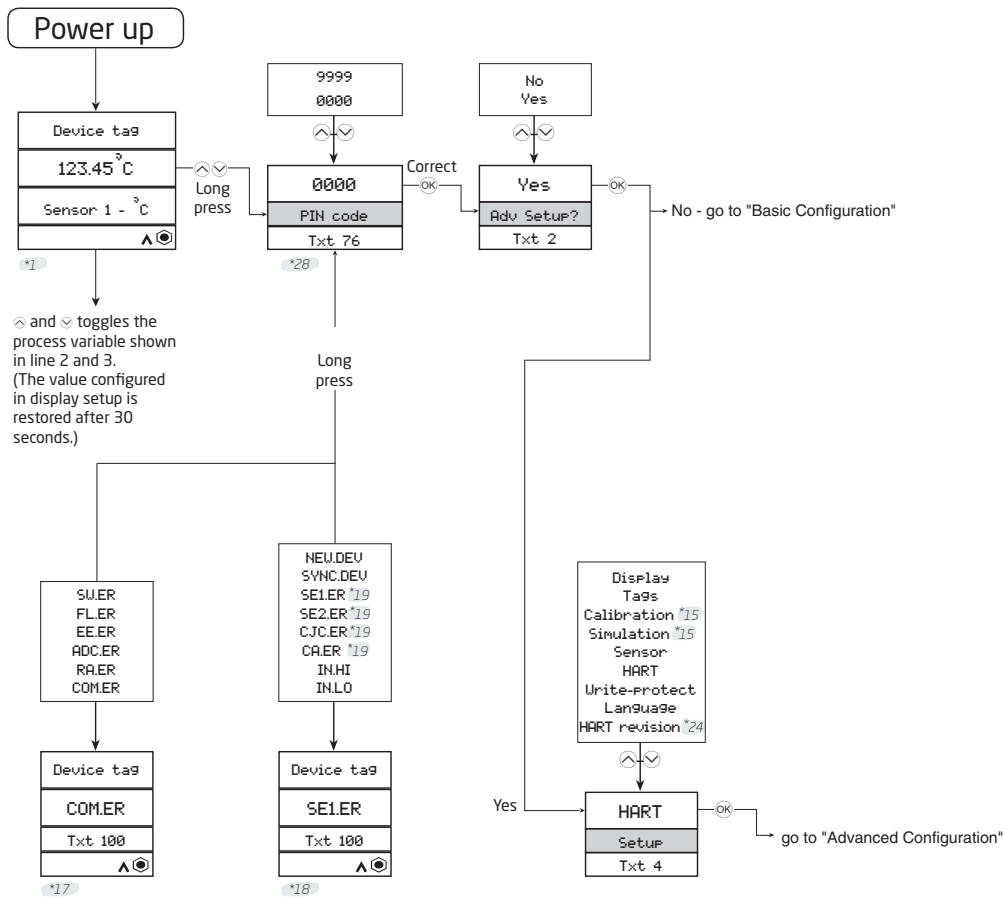
When configuration is completed, or when the display times out, the display returns to monitor view.

If the RTT15S has been protected by setting a PIN code different from 0000 in the configurator menu, the correct PIN code must be entered to proceed to the desired menu. Resetting the code to 0000 disables PIN protection.

The menu can be temporarily locked because it is receiving a configuration on the HART interface, or because it is synchronizing configuration parameters with the internal device.

If the RTT15S has been write protected, it is still possible to proceed to the menu, but no changes can be made, and it is not possible to save the configuration. It is possible to change the write-protection state (enabled/disabled), but the correct write-protect password must be entered when prompted.

Figure 25. Accessing the Configurator Menus



*1 If no keys are pressed for 60 s in any menu (except for Sim and Cal), no parameters are saved and the "Monitor" menu is shown.

*15 Only shown if Write-protection is disabled.

*17 Will be forced into this state if any device error occurs (from any other menu).

*18 Warning state: will be forced into this state if sensor error or overrange is present. Only from "Monitor" menu.

*19 First long press of up and down simultaneously will stop backlight flash but not exit view. Second long press will enter configuration menu (if allowed).

*24 Not shown if change of protocol is not possible.

*28 Only shown if pin-code is > 0000

Basic Configuration

Figure 26. Basic Configuration Menu (1 of 2)

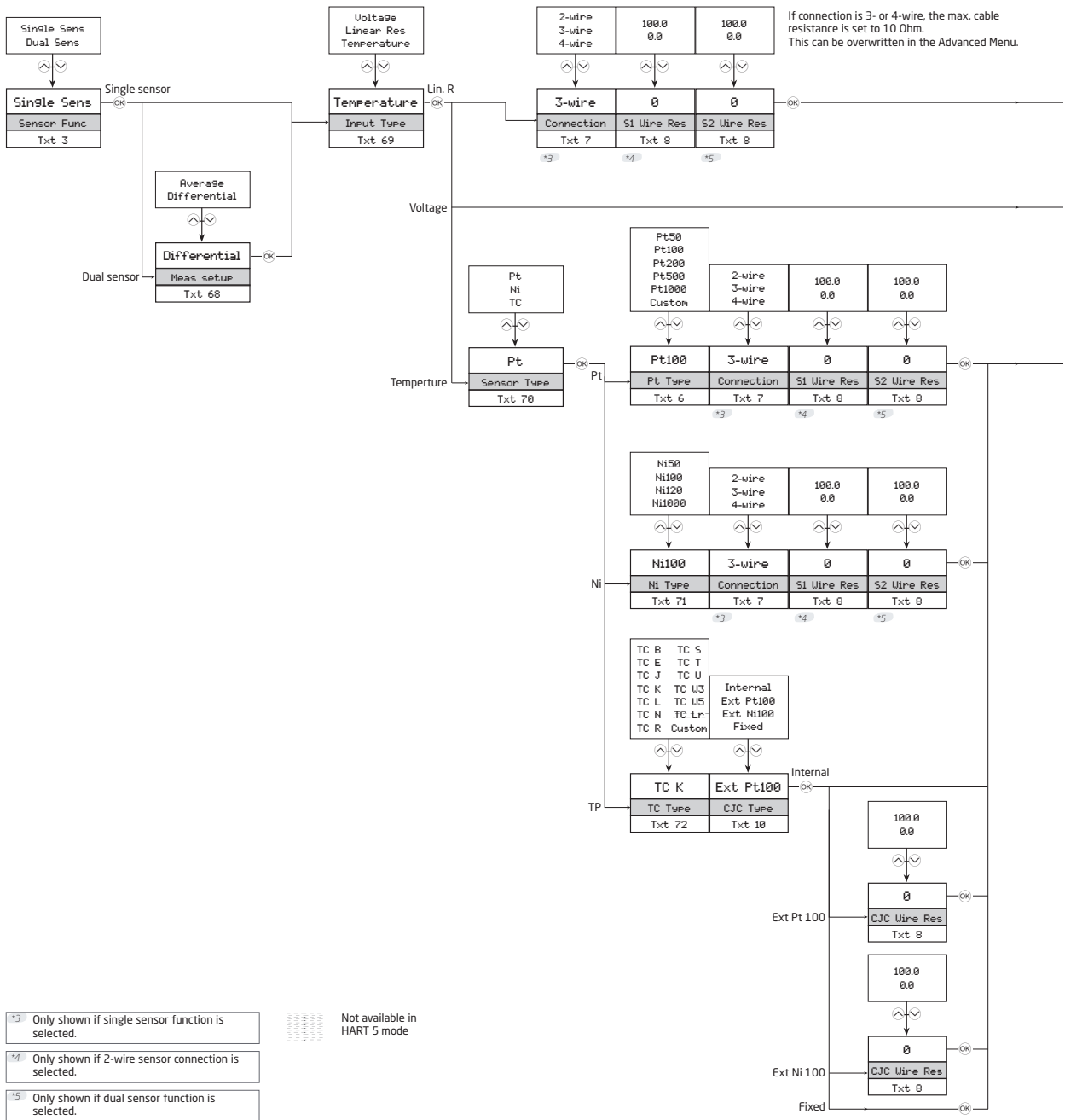
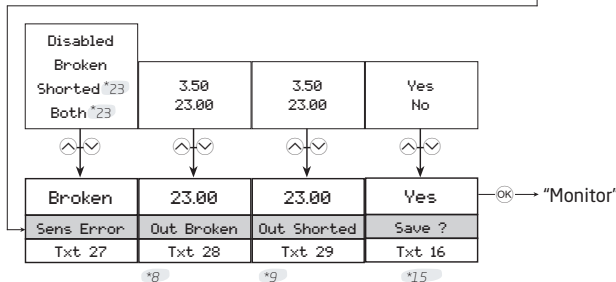
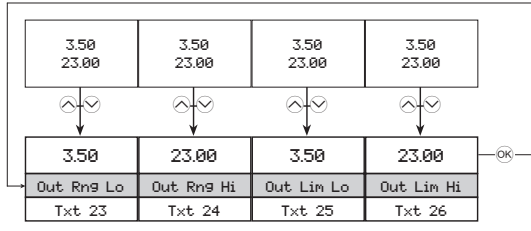
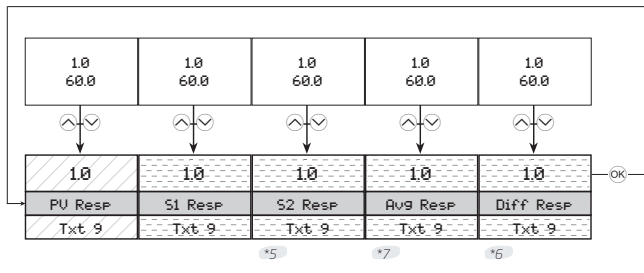
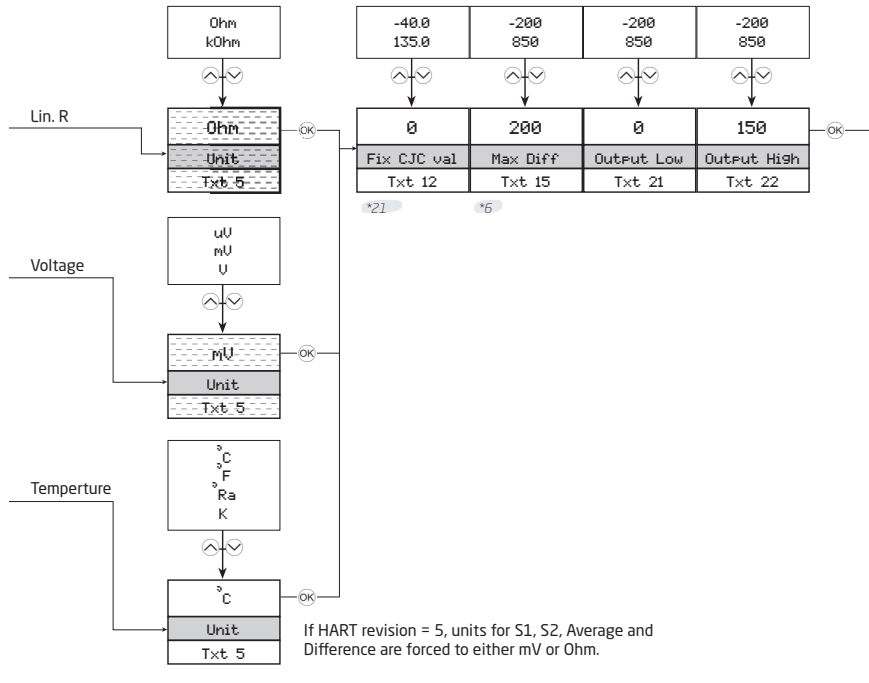


Figure 27. Basic Configuration Menu (2 of 2)



*5 Only shown if dual sensor function is selected.

*6 Only shown if differential sensor function is selected.

*7 Only shown if average sensor function is selected.

*8 Only shown if sensor breakage detection is activated.

*9 Only shown if sensor shortage detection is activated.

*15 Only shown if Write-protection is disabled.

*23 Selection not available for Voltage Input Type and TC Sensor Type with internal/fixed CJC.

Not available in HART 5 mode

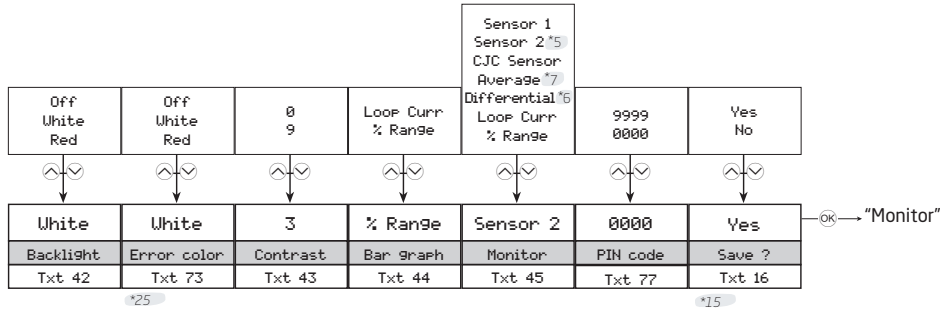
Not available in HART 7 mode

Advanced Configuration

The advanced configuration menu is subdivided in nine parts: Display, Tags, Calibration, Simulation, Sensor, HART, Password, Language and HART Revision.

Display Menu

Figure 28. Display Menu

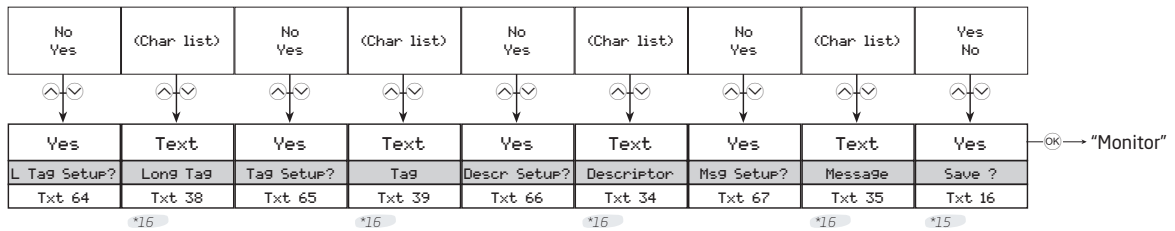


- *5 Only shown if dual sensor function is selected.
- *6 Only shown if differential sensor function is selected.
- *7 Only shown if average sensor function is selected.

- *15 Only shown if Write-protection is disabled.
- *25 Not shown if backlight is off.

Tags Menu

Figure 29. Tags Menu



- *15 Only shown if Write-protection is disabled.

- *16 Only shown if "Yes" was selected in the previous menu.

Calibration Menu

This menu is available only if write protection is disabled.

The device can be process-calibrated in two points to fit a given input signal. First, a low input signal (not necessarily 0%) is applied, and the actual value is entered. Second, a high input signal (not necessarily 100%) is applied, and the actual value is entered. If you accept to use the calibration by selecting Yes in the Save menu, the device will work according to the new adjustments.

You can return the device to factory calibration points by selecting Reset Calibration from the Calibration menu.

— **NOTE** —


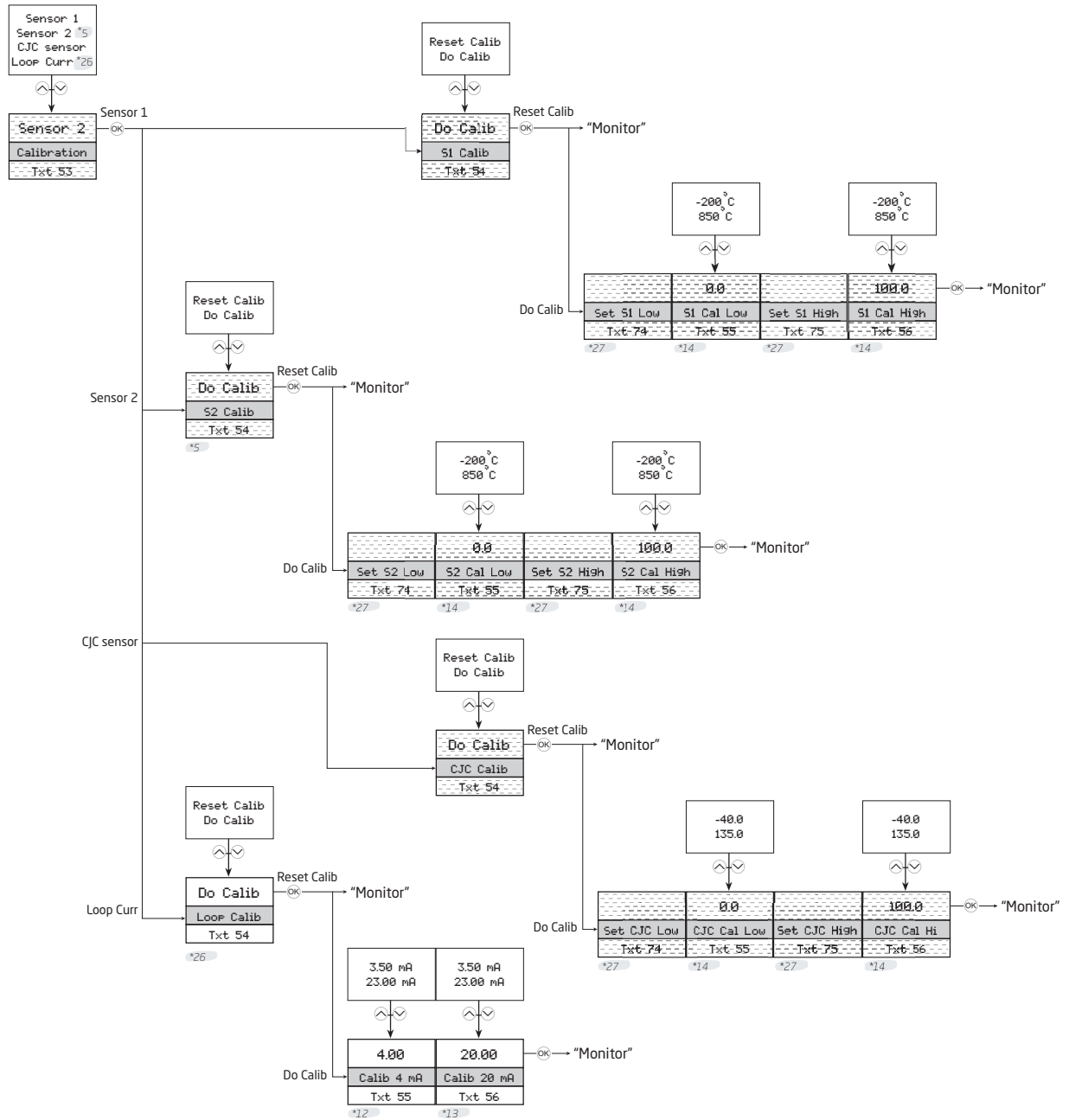
While performing a calibration, the programming mode does not time out. Press and hold the  button to exit.

Figure 30. Calibration Menu



*15 Only shown if dual sensor function is selected.

*14 Default value is current input value. No timeout in this menu.

Not available in HART 5 mode

*12 4 mA fixed output configured internally.

*26 Not possible if Loop Current is not active.

*13 20 mA fixed output configured internally.

*27 No timeout in this menu.

Simulation Menu

This menu is available only if write protection is disabled.

The RTT15S allows you to simulate process values by entering the simulation menu. Using the optical buttons, the simulated value can be increased and decreased (see “Using the Optional Display” on page 33).

NOTE


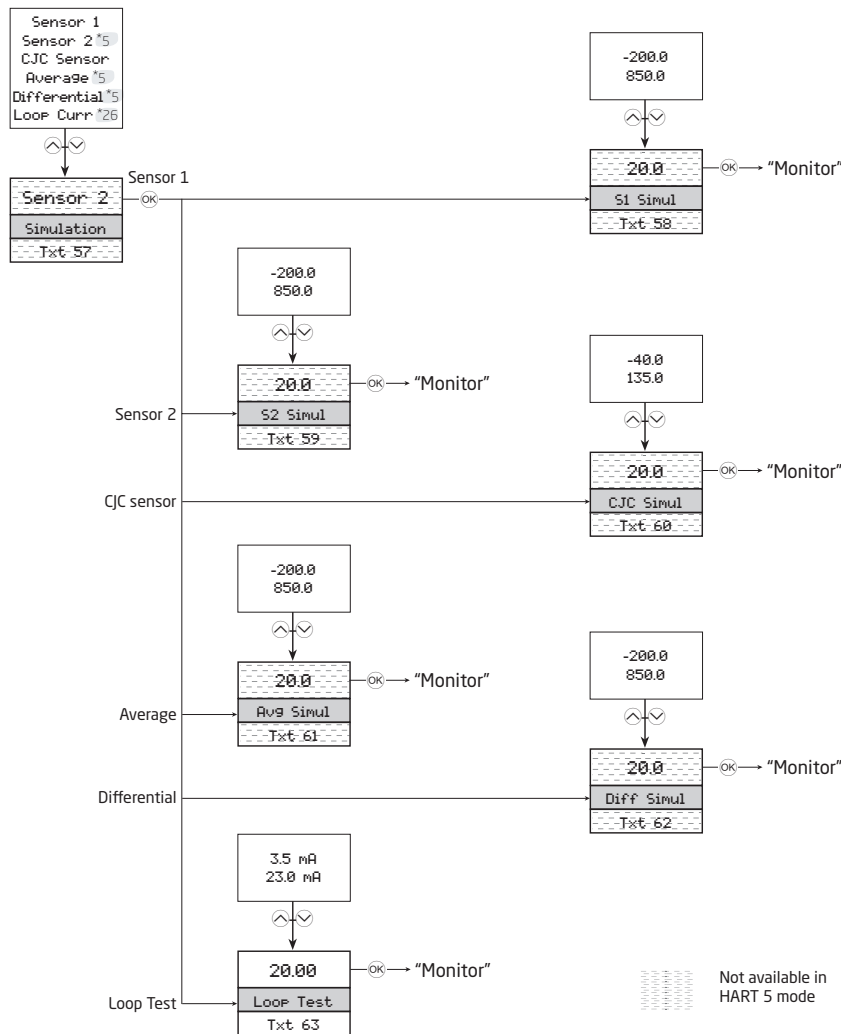
While performing a simulation, the display does not time out. Press and hold the  button to exit.

Figure 31. Simulation Menu



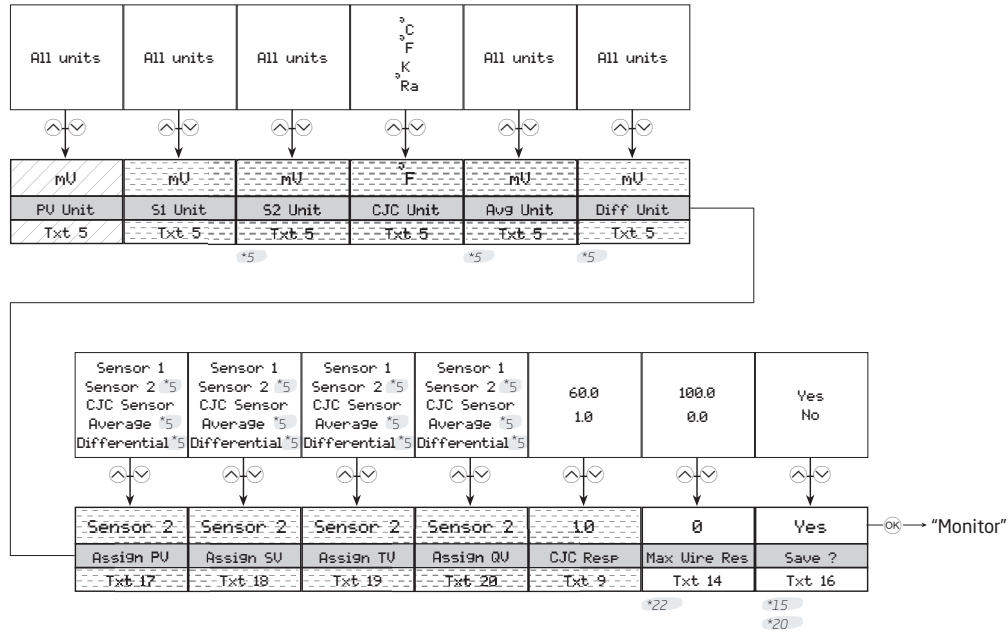
*5 Only shown if dual sensor function is selected.

*26 Not possible if Loop Current is not active.

Sensor Menu

The sensor menu allows you to make more detailed configuration of your sensor values, which are not available in the Basic Configuration menu. These involve selecting from a large amount of process variable units, changing the sensor assignment to PV, SV, TV, or QV, and specifying the CJC response time. Please note that performing a basic configuration overwrites these changes.

Figure 32. Sensor Menu



*5 Only shown if dual sensor function is selected.

*20 Values may be overwritten when normal menu is saved.

Not available in HART 5 mode

*15 Only shown if Write-protection is disabled.

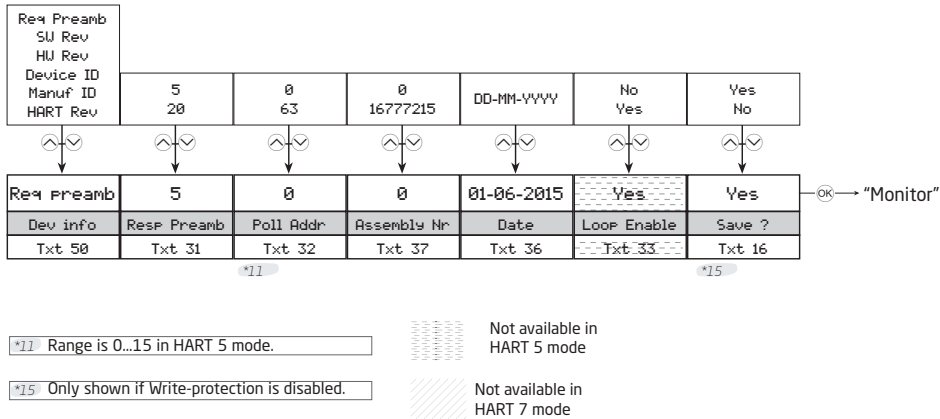
*22 Only shown if 3- or 4-wire connection is selected.

Not available in HART 7 mode

HART Menu

Under this menu are special parameters pertaining to HART. It provides general information regarding the number of request preambles, software and hardware revisions, device and manufacturer IDs, and HART revision. The menu also allows you to specify the number of response preambles, polling address, assembly number, and date.

Figure 33. HART Menu

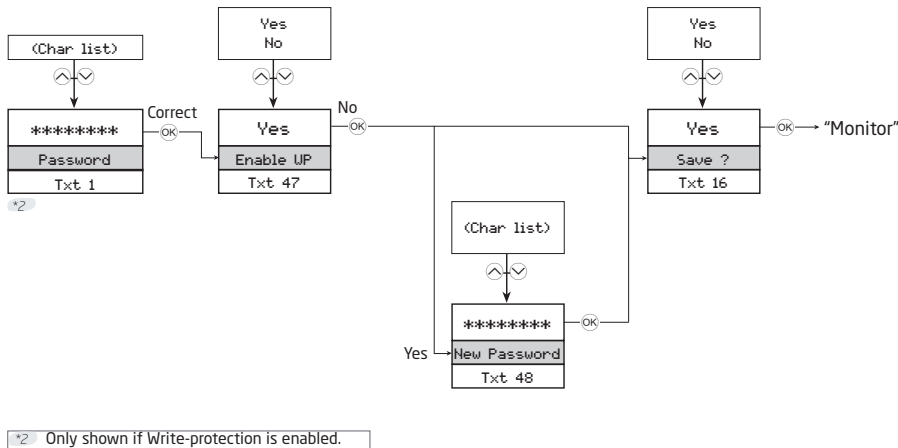


Write-Protect Menu

Here you can choose to enable or disable write protection using a password. If write-protection is already enabled, the correct password must be entered to get access. The password must consist of exactly eight characters from the Latin 1 character set, and will protect the device against unauthorized modifications to the configuration.

The device is shipped with write-protection disabled by default.

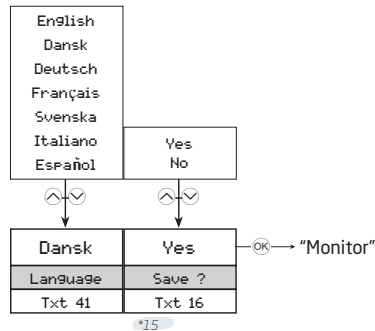
Figure 34. Password Menu



Language Menu

In this menu you can choose the language of the help text that will appear in the menu.

Figure 35. Language Menu



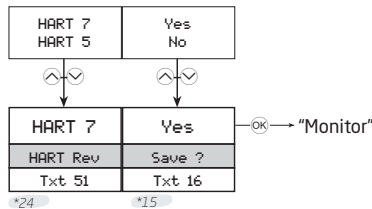
*15 Only shown if Write-protection is disabled.

HART Revision Menu

The HART version is selected in this menu. Select the desired HART version and press the  button. Select Yes to save the change.

Changing the HART version reboots the device, during which the display may become blank for a few seconds.

Figure 36. HART Revision Menu



*15 Only shown if Write-protection is disabled.

*24 Not shown if change of protocol is not possible

Help Text Overview

Table 18. Help Messages

ID	Description
[01]	Set correct password
[02]	Enter Advanced setup menu?
[03]	Select single sensor functionality
	Select dual sensor functionality
[04]	Enter Display setup
	Enter Tags setup
	Enter Process calibration
	Enter Simulation mode
	Enter Advanced sensor setup
	Enter HART setup
	Enter Write-protect setup
	Enter Language setup
	Enter HART Revision setup
[05]	Select measurement unit
[06]	Select custom RTD as sensor type
	Select Pt50 as sensor type
	Select Pt100 as sensor type
	Select Pt200 as sensor type
	Select Pt500 as sensor type
	Select Pt1000 as sensor type
[07]	Select 2-Wire sensor connection
	Select 3-Wire sensor connection
	Select 4-Wire sensor connection
[08]	Set actual cable resistance in 2 wires
[09]	Set response time
[10]	Select Internal CJC sensor
	Select Pt100 as external CJC sensor type
	Select Ni100 as external CJC sensor type
	Select Fixed CJC
[12]	Set fixed CJC value
[13]	Disable sensor 2
	Enable sensor 2
[14]	Set maximum cable resistance in 2 wires
[15]	Set max. value for individual sensors for differential measurement
[16]	Save configuration?
[17]	Map sensor1 to PV and output loop current
	Map sensor2 to PV and output loop current
	Map CJC sensor to PV and output loop current
	Map Internal temperature to PV and output loop current
	Map Avg measurement to PV and output loop current
	Map differential measurement to PV and output loop current
[18]	Map sensor1 to SV
	Map sensor2 to SV
	Map CJC sensor to SV
	Map Internal temperature to SV
	Map Avg measument to SV
	Map differential measurement to SV
[19]	Map sensor1 to TV
	Map sensor2 to TV
	Map CJC sensor to TV
	Map Internal temperature to TV

Table 18. Help Messages (Continued)

ID	Description
	Map Avg measument to TV
	Map differential measurement to TV
[20]	Map sensor1 to QV
	Map sensor2 to QV
	Map CJC sensor to QV
	Map Internal temperature to QV
	Map Avg measument to QV
	Map differential measurement to QV
[21]	Set sensor value for analog output low
[22]	Set sensor value for analog output high
[23]	Set output current at 0% input range
[24]	Set output current at 100% input range
[25]	Set output current lower limit
[26]	Set output current upper limit
[27]	Disable sensor error detection
	Enable sensor wire breakage detection
	Enable sensor shortage detection
	Enable both sensor wire breakage and sensor shortage detection
[28]	Set output current in case of sensor wire breakage
[29]	Set output current in case of sensor shortage
[31]	Set number of preambles in HART response frames
[32]	Set polling address
[33]	Disable loop current signal (no analog output)
	Enable loop current signal (analog output)
[34]	Write description of the device
[35]	Write message on the device
[36]	Set user date on device
[37]	Set the final assembly number
[38]	Write long tag
[39]	Write tag
[41]	Select language
[42]	Disable LCD backlight
	Select white LCD backlight
	Select red LCD backlight
[43]	Adjust LCD contrast
[44]	Select loop current for bar graph indicator
	Select % of range for bar graph indicator
[45]	Select Sensor1 for process monitor view
	Select Sensor2 for process monitor view
	Select CJC Sensor for process monitor view
	Select Average measurement for process monitor view
	Select differential measurement for process monitor view
	Select loop current for process monitor view
	Select % of range for process monitor view
[47]	Enable write protection?
[48]	Set new password
[50]	Minimum number of preambles in requests
	Software revision level
	Hardware revision level
	Device identification
	Manufacturer identification
	HART protocol revision level
[51]	Set HART protocol revision 7

Table 18. Help Messages (Continued)

ID	Description
	Set HART protocol revision 5
[53]	Enter sensor1 calibration menu
	Enter sensor2 calibration menu
	Enter CJC sensor calibration menu
	Enter output loop current calibration menu
[54]	Reset calibration to factory default
	Perform process calibration
[55]	Set value for low calibration point
[56]	Set value for high calibration point
[57]	Simulate sensor1 input
	Simulate sensor2 input
	Simulate CJC sensor input
	Simulate average measurement
	Simulate differential measurement
	Simulate output loop current
[58]	Set sensor1 simulation value
[59]	Set sensor2 simulation value
[60]	Set CJC sensor simulation value
[61]	Set average measurement simulation value
[62]	Set differential measurement simulation value
[63]	Set output loop current simulation value
[64]	Edit the long tag?
[65]	Edit the tag?
[66]	Edit the descriptor?
[67]	Edit the message?
[68]	Select averaging of sensor 1 and sensor 2
	Select differential measurement: sensor 1 - sensor 2
[69]	Select voltage input
	Select linear resistance input
	Select temperature input
[70]	Select Pt sensor type
	Select Ni sensor type
	Select TC sensor type
[71]	Select Ni50 as sensor type
	Select Ni100 as sensor type
	Select Ni120 as sensor type
	Select Ni1000 as sensor type
[72]	Select TC-B as sensor type
	Select TC-E as sensor type
	Select TC-J as sensor type
	Select TC-K as sensor type
	Select TC-L as sensor type
	Select TC-N as sensor type
	Select TC-R as sensor type
	Select TC-S as sensor type
	Select TC-T as sensor type
	Select TC-U as sensor type
	Select TC-W3 as sensor type
	Select TC-W5 as sensor type
	Select TC-Lr as sensor type
	Select Custom TC as sensor type
[73]	Disable LCD error backlight
	Select white LCD error backlight

Table 18. Help Messages (Continued)

ID	Description
	Select red LCD error backlight
[74]	Apply low calibration point value and wait until stable
[75]	Apply high calibration point value and wait until stable
[76]	Set menu access PIN-code
[77]	Set menu access PIN-code (0000 will disable)
[100]	
SW.ER	Exception error during code execution
FL.ER	Flash memory error
EE.ER	EEPROM memory error
ADC.ER	A/D converter error
RA.ER	RAM memory error
COM.ER	Internal communication error
NEW.DEV	New device attached – configuration is being updated – please wait
SYNC.DEV	Configuration is being re-synchronized - please wait
SE1.ER	Sensor 1 error, check wiring and replace sensor if necessary
SE2.ER	Sensor 2 error, check wiring and replace sensor if necessary
CJC.ER	CJC Sensor error, check wiring and replace sensor if necessary
CJC.ER	Internal temperature sensor error
CA.ER	Last process calibration failed to succeed - please retry
IN.HI/IN.LO	Sensor 1 is out of range
IN.HI/IN.LO	Sensor 2 is out of range
IN.HI/IN.LO	CJC sensor is out of range
IN.HI/IN.LO	Sensor 1 or Sensor 2 measurement is out of range

Available Units

The following table lists the available units. Most of these are available only on the Sensor menu.

Table 19. Available Units

Menu #	HART #	Text	Types
0	32	°C	<- Sensor specific types
1	33	°F	
2	34	°R	
3	35	K	
4	37	Ohm	
5	163	kOhm	
6	240	µV	
7	36	mV	
8	58	V	
9	39	mA	
10	57	%	
11	1	inH ₂ O	<- Pressure units
12	2	inHg	
13	3	ftH ₂ O	
14	4	mmH ₂ O	
15	5	mmHg	
16	6	psi	
17	7	bar	
18	8	mbar	
19	9	g/cm ²	
20	11	Pa	
21	12	kPa	
22	13	torr	
23	14	atm	
24	237	MPa	
25	17	l/min	<-Volume flow units
26	19	m ³ /h	
27	22	gal/s	
28	24	l/s	
29	25	ml/d	
30	26	ft ³ /s	
31	130	ft ³ /h	
32	27	ft ³ /d	
33	28	m ³ /s	
34	29	m ³ /d	
35	121	m ³ n/h	
36	132	bbl/s	
37	134	bbl/h	
38	135	bbl/d	
39	136	gal/h	
40	138	l/h	
41	235	gal/d	
42	20	ft/s	<-Velocity units
43	21	m/s	
44	114	in/s	
45	120	m/h	
46	40	gal	<- Volume units
47	41	l	
48	43	m ³	
49	46	bbl	

Table 19. Available Units (Continued)

Menu #	HART #	Text	Types
50	110	bush	
51	111	yd ³	
52	112	ft ³	
53	113	in ³	
54	166	m ³ n	
55	167	ln	
56	236	hl	
57	44	ft	<- Length units
58	45	m	
59	47	in	
60	48	cm	
61	49	mm	
62	50	min	<-Time units
63	51	s	
64	52	h	
65	53	d	
66	60	g	<- Mass units
67	61	kg	
68	62	t	
69	63	lb	
70	64	ShTon	
71	65	LTon	
72	125	oz	
73	70	g/s	<- Mass flow units
74	71	g/min	
75	72	g/h	
76	73	kg/s	
77	75	kg/h	
78	76	kg/d	
79	77	t/min	
80	78	t/h	
81	79	t/d	
82	80	lb/s	
83	82	lb/h	
84	83	lb/d	
85	90	SGU	<- Mass per volume units
86	91	g/cm ³	
87	92	kg/m ³	
88	95	g/ml	
89	96	kg/l	
90	97	g/l	
91	146	µg/L	
92	147	µg/m ³	
93	54	cSt	<- Viscosity units
94	55	cP	
95	69	N/m	<- Energy (work) units
96	128	kW/h	
97	162	Mcal	
98	164	MJ	
99	165	Btu	
100	127	kW	<- Power units
101	129	hp	
102	141	MJ/h	

Table 19. Available Units (Continued)

Menu #	HART #	Text	Types
103	142	Btu/h	
104	117	deg/s	<- Angular velocity units
105	118	rev/s	
106	119	rpm	
107	38	Hz	<- Miscellaneous
108	56	μMho	
109	59	pH	
110	66	mS/cm	
111	67	μS/cm	
112	68	N	
113	139	ppm	
114	143	deg	
115	144	rad	
116	148	%Cs	
117	149	Vol%	
118	153	pF	
119	154	ml/l	
120	155	μl/l	
121	161	%LEL	
122	169	ppb	
123	251	<blank> (a)	<- Special units
124	252	?	
125	253	Spcl	

a. No characters shown.

Using a HART Communicator

With HART version 5, the measurement process variable (PV), electronics temperature (**Electr**), output value in mA (**PV AO**), and process variable in percent of range (**PV % rnge**) are displayed in the main Online menu.

With HART version 7, the Online menu displays the Sensor 1 value (**Snsr 1 Value**), Sensor 2 value (**Snsr 2 Value**), electronics or CJC value (**EI/CJC value**), average value (**Avg Value**), differential value (**Diff Value**), loop current (**Loop current**), and process variable in percent of range (**PV % rnge**).

4 to 20 mA Output Trim

A **D/A trim** function is used to trim 4 and 20 mA output values to match the output of a plant standard measurement device. To trim this output, connect the HART communicator to your transmitter and access the Online menu. Then use the following path:

For HART 5: Device Setup > Diag/Service > Calibration > D/A Trim (1,2,3,2)

For HART 7: Device Setup > Diag/Service > Calibration > D/A Trim (1,3,2,2)

With HART 7, you can also set trim separately for each device variable:

Device Setup > Diag/Service > Calibration > Device Variable Trim (1,3,2,4)

Rerange

To rerange your transmitter, connect the HART communicator to your transmitter and access the Online menu. Then use the following path to set the lower range value (PV LRV), upper range value (PV URV), and units (PV Unit):

For HART 5: Device Setup > Basic Setup > Range Values (1,3,2)

For HART 7: Device Setup > Setup > Range Variables > Range Configuration (1,4,3,1)

Configuration

To configure your transmitter, connect the HART communicator to your transmitter and select **Device Setup** from the Online menu. See “HART Online Menu” on page 59 for details.

WARNING

If your transmitter has an optional display, changing the engineering units or range in your transmitter requires that you also make similar changes in the configuration of your display.

Configuration Notes

- ◆ You can configure your transmitter to test for a broken sensor and/or a shorted RTD sensor. However, if the sensor is a thermocouple, do **not** configure the transmitter to test for a shorted sensor.

If this feature is used, you can set the output to go to a predetermined value if a broken or shorted sensor is detected. This can be done in three ways in the parameters **Broken sensor** and **Shorted sensor**:

- ◆ In the sub-parameters **Br sens** and **Sh sens** (with HART 5) or **Broken Snr Value** and **Shorted Snr Value** (with HART 7), you can set the output to go to a specific value between 3.5 and 23 mA.
- ◆ The sub-parameter **NAMUR down** sets the output to go to 3.5 mA.
- ◆ The sub-parameter **NAMUR up** sets the output to go to 23 mA.

— NOTE

If you select NAMUR error values, do not select the same mA value for underrange or overrange conditions.

- ◆ You can also configure the output of your transmitter to go to a predetermined value if the measurement exceeds the range limits. The parameter **AO lo lim** allows you to set the output in an underrange situation to a value between 3.5 and 23 mA. Likewise, in **AO up lim** you can set the output in an overrange situation to a value between 3.5 and 23 mA. Or you can set the output in underrange and overrange situations to go to NAMUR values of 3.8 and 20.5 mA with the parameter **Set limits=NAMUR**. Note that the value of **AO up lim** must be higher than the value of **AO down lim**.
- ◆ In the pick list of sensor types, do **not** specify **Spcl RTD** or **Spcl T/C** unless your transmitter was supplied with custom RTD or thermocouple curves.

- ◆ If your transmitter was ordered with custom factory configuration to enter a custom curve or Callendar-Van Dusen (CVD) coefficients, the HART communicator can be used to select **Spcl RTD** or **Spcl T/C** to invoke the custom configuration. However, the DD for the HART communicator does not include the function to develop the custom curve or to enter the CVD coefficients. Refer to Global Customer Support for a custom configuration.
- ◆ When configuring your transmitter for use with a 2-wire RTD, you must enter the cable resistance in the parameter **Cable resistance** so that it is not included in the measurement. To do this, enter the total value for both leads.
With HART version 5, if you do not know the resistance, you can have the transmitter measure and enter the resistance for you via the sub-parameter **Measure Value**.
- ◆ With HART version 5, Platinum and nickel RTDs used with your transmitter can have a nominal resistance between 10 and 1000 ohms. For other than 100-ohm RTDs, a factor must be entered in the parameter **RTD Factor**. This factor is calculated as follows:

$$\text{RTD Factor} = 100/\text{RTD Nominal Resistance}$$

For example, for a Pt1000 RTD, the calculation is:

$$\text{RTD Factor} = 100/1000 = 0.1$$

With HART version 7, no calculation is needed. Simply select the RTD type; for example, **Pt200 RTD**.

HART Online Menu

Figure 37. RTT15S Online Menu, HART 5 (1 of 2)

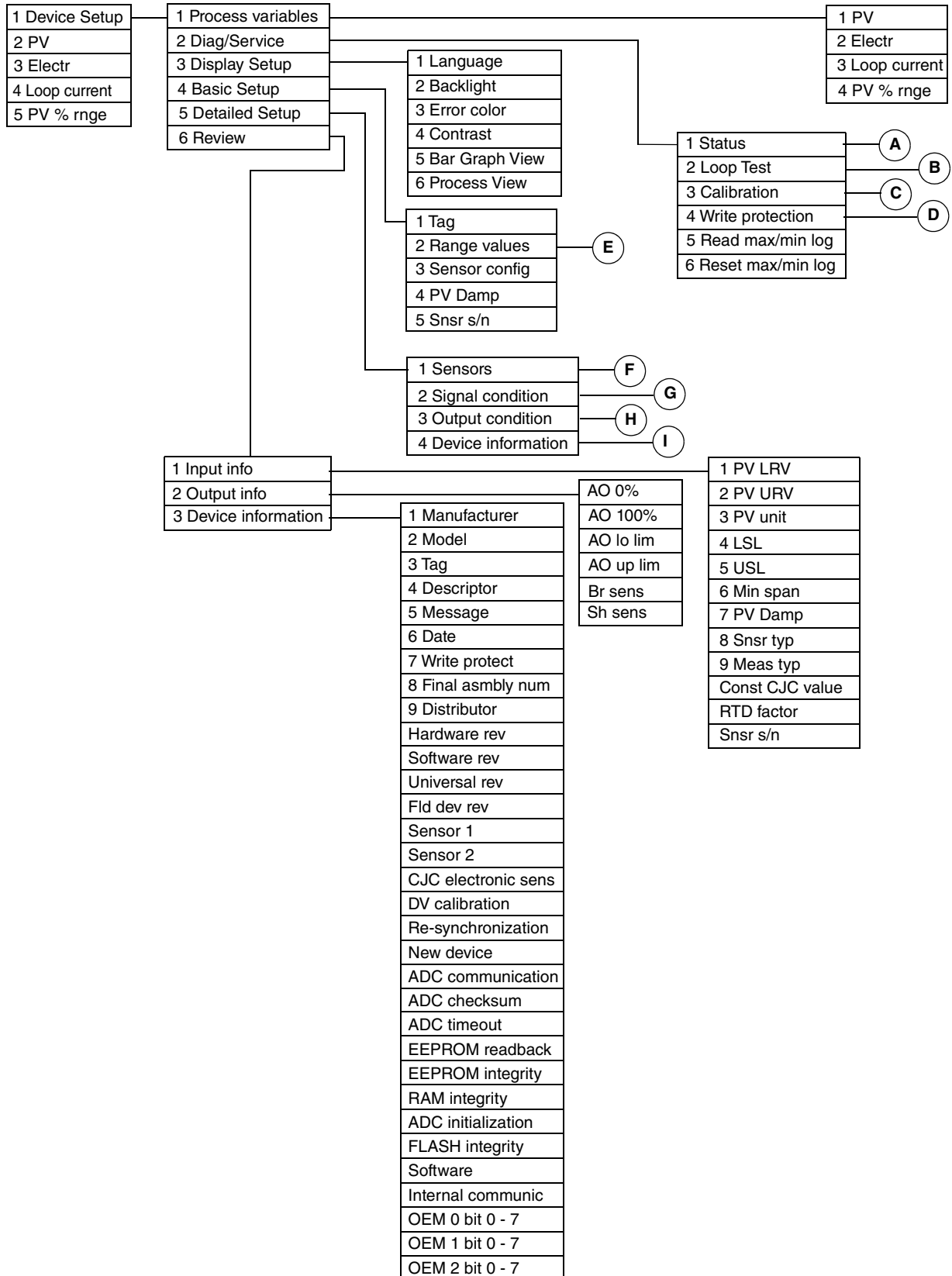


Figure 38. RTT15S Online Menu, HART 5 (2 of 2)

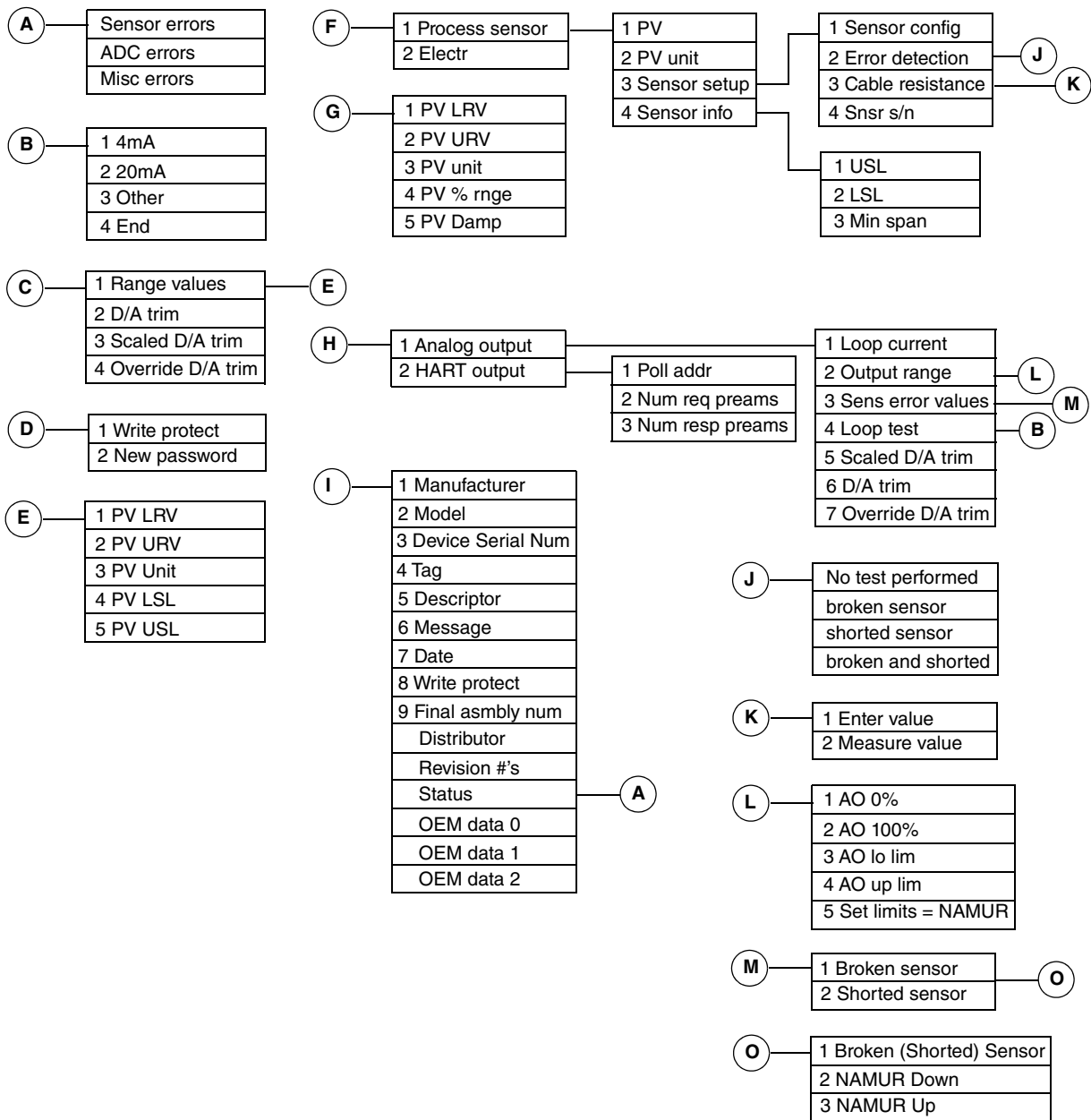


Figure 39. RTT15S Online Menu, HART 7 (1 of 4)

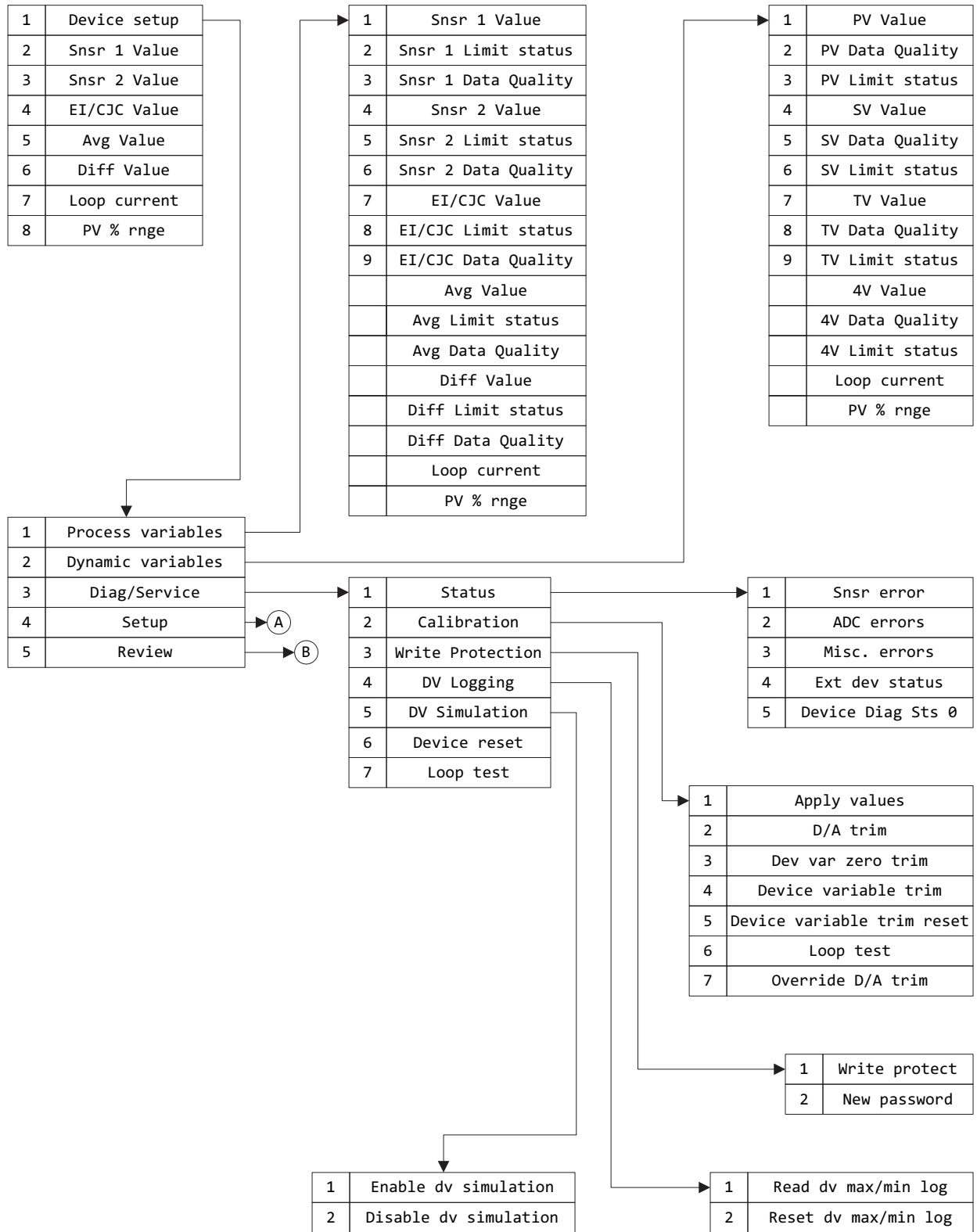


Figure 40. RTT15S Online Menu, HART 7 (2 of 4)

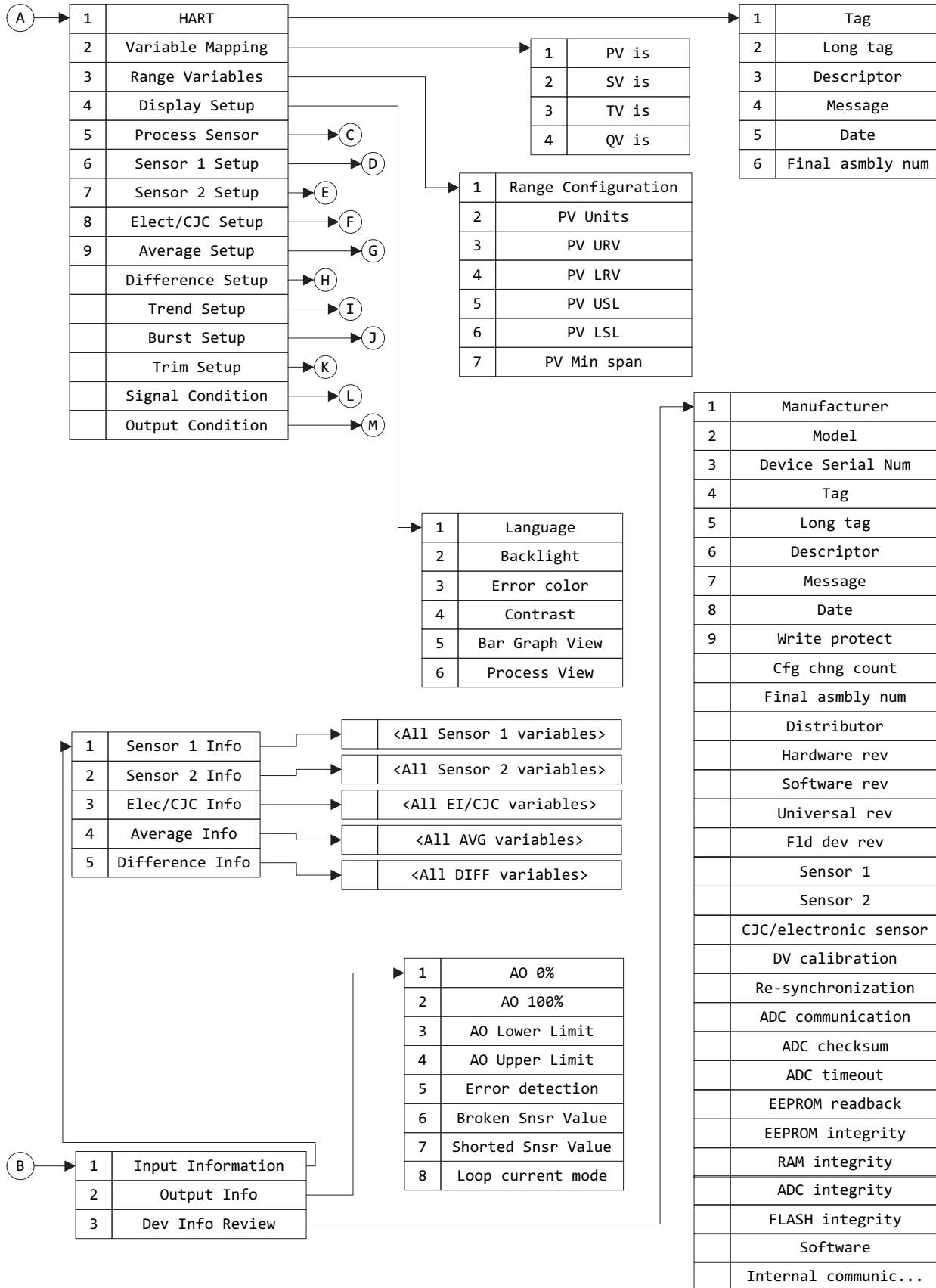
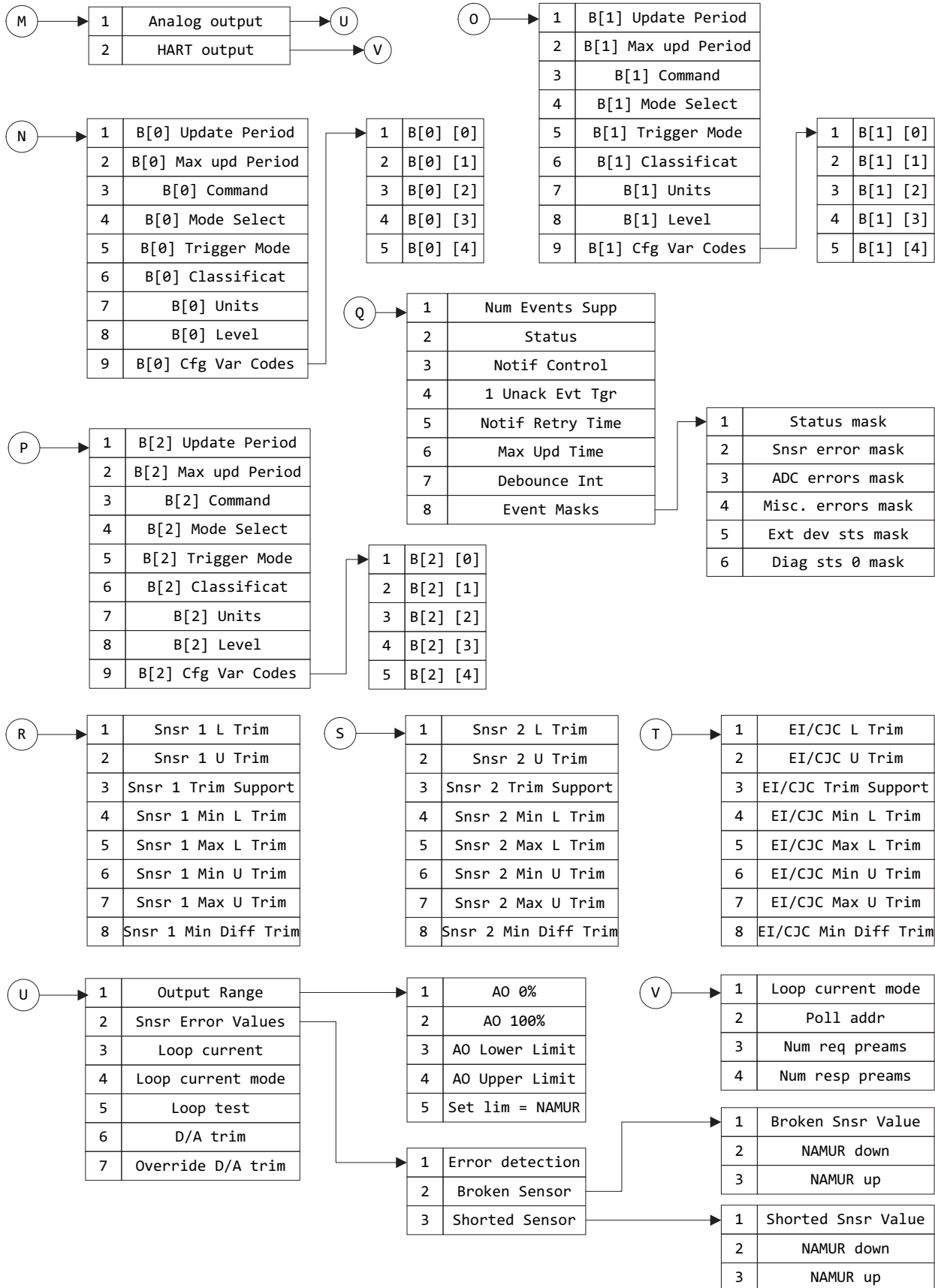


Figure 41. RTT15S Online Menu, HART 7 (3 of 4)



Figure 42. RTT15S Online Menu, HART 7 (4 of 4)



4. Troubleshooting and Maintenance

⚠ CAUTION

The transmitter module (inside the housing) has no moving parts. It is completely sealed and cannot be repaired. Any attempt to open the transmitter module voids the warranty.

⚠ DANGER

For nonintrinsically safe installations, to prevent a potential explosion in a Division 1 hazardous area, deenergize the transmitter before you remove the housing cover. Failure to comply with this warning could result in an explosion resulting in severe injury or death.

Troubleshooting

See also ““Device and Sensor Status Indication” on page 36”.

Table 20. Recommended Troubleshooting Steps Before Replacing Module

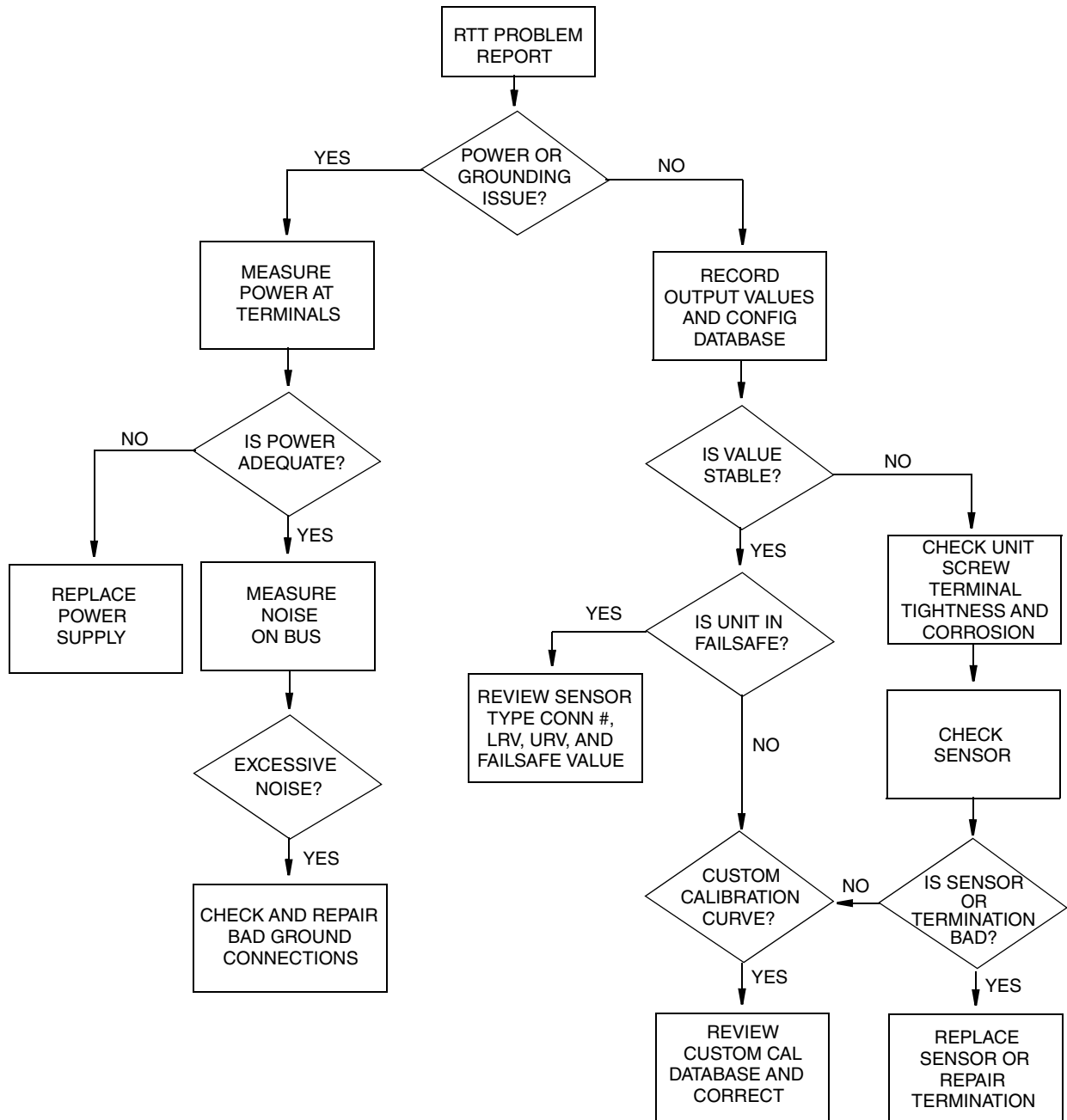
Indication	Action
Erratic Measurement	Check Wiring Connections – Look for any loose connections or corroded terminals.
	Check Sensor – See instrument diagnostics (a) or use a multimeter to measure sensor.
	Check Grounding – Look for ground loops or noise on the bus with a digital scope.
	Check Power Supply – Check for adequate power levels.
	Check that the sensor type configured matches the sensor type being used.
Inaccurate Measurement	Check Sensor – See instrument diagnostics (a) or use a multimeter to measure sensor.
	Check Grounding – Look for ground loops or noise on the bus with a digital scope.
	Check Sensor Calibration – User multimeter to approximate sensor input or use a temperature bath for more accuracy.
	Check Transmitter Calibration – Use a decade box or millivolt input to simulate sensor output.
	Check Instrument Configuration – Check configured ranges and check for any unintentional rescaling.

Table 20. Recommended Troubleshooting Steps Before Replacing Module (Continued)

Indication	Action
Device Will Not Communicate	Check Instrument Configuration – Check for correct addressing, correct tagging, and so forth (digital communications).
	Check Power Supply – Check for adequate power levels. Check signal strength at I/O card.
	Check Grounding – Look for ground loops or noise on the bus with a digital scope.
	Check that there is a minimum of 250 Ω loop resistance between the power supply and the HART communicator.
Transmitter Is in Failsafe	Check Sensor – See instrument diagnostics (a) or use a multimeter to measure sensor.
	Check Wiring Connections – Look for any loose connections or corroded terminals.
	Check Configuration (ranges, sensor type, and so forth).
	Check Transmitter Calibration – Use a decade box or millivolt input to simulate sensor output.

a. Using a HART communicator or PC-based configurator.

Figure 43. Troubleshooting



Replacing the Transmitter Module

⚠ WARNING

For Ex installation, assure that the replacement transmitter module has the necessary approvals applicable for the place of installation.

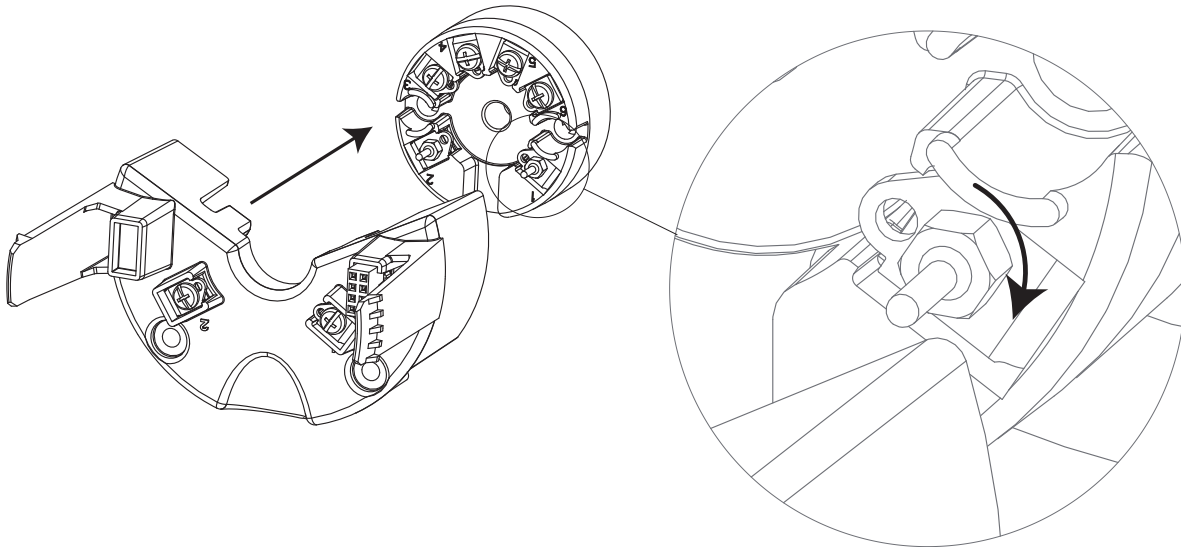
Once a transmitter module has been installed, it must not be taken out and used in other applications.

Before proceeding, please refer to “Assembly and Disassembly” on page 30 for information on extracting the transmitter module. Then follow the steps below.

1. Remove the terminal 1 and 2 screws using a screwdriver.
2. Attach the connector pins to the transmitter module connectors 1 and 2. (See Figure 44.) Tighten the screws using a 5 mm socket wrench with an outer diameter of no more than 7 mm. Screw torque on the connector pins = 0.4 N-m (3.54 in/lb).
3. Mount the device in the housing, making sure the connectors meet.

The first time power is applied to the RTT15S, it will synchronize with the configuration parameters in the new transmitter module. This process will take approximately 30 seconds, during which `NEW.DEV` will appear on the display.

Figure 44. Connector Pins



ISSUE DATES

SEP 2016

Vertical lines to the right of text or illustrations indicate areas changed at last issue date.



Invensys Systems, Inc.
38 Neponset Avenue
Foxboro, MA 02035
United States of America
<http://www.schneider-electric.com>

Global Customer Support
Inside U.S.: 1-866-746-6477
Outside U.S.: 1-508-549-2424
Website: <http://support.ips.invensys.com>

Copyright 2016 Invensys Systems, Inc.
All rights reserved.

Invensys and Foxboro are trademarks of Invensys Limited, its subsidiaries, and affiliates. All other trademarks are the property of their respective owners.

Invensys is now part of Schneider Electric.