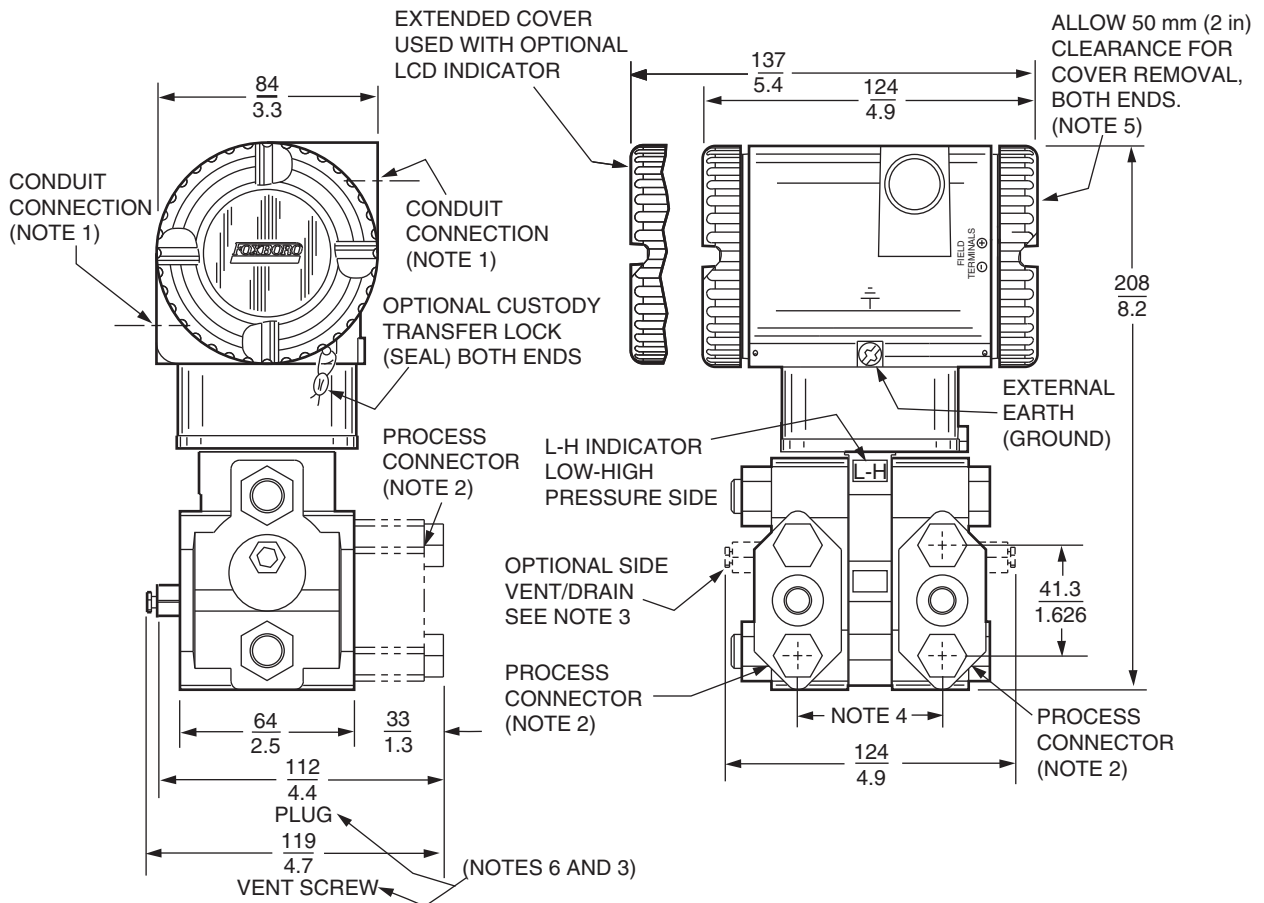


I/A Series[®] Pressure Transmitters

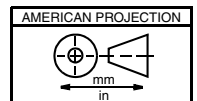
Model IDP10, IDP25, and IDP50 d/p Cell[®] Transmitters

TRANSMITTER WITH TRADITIONAL STRUCTURE



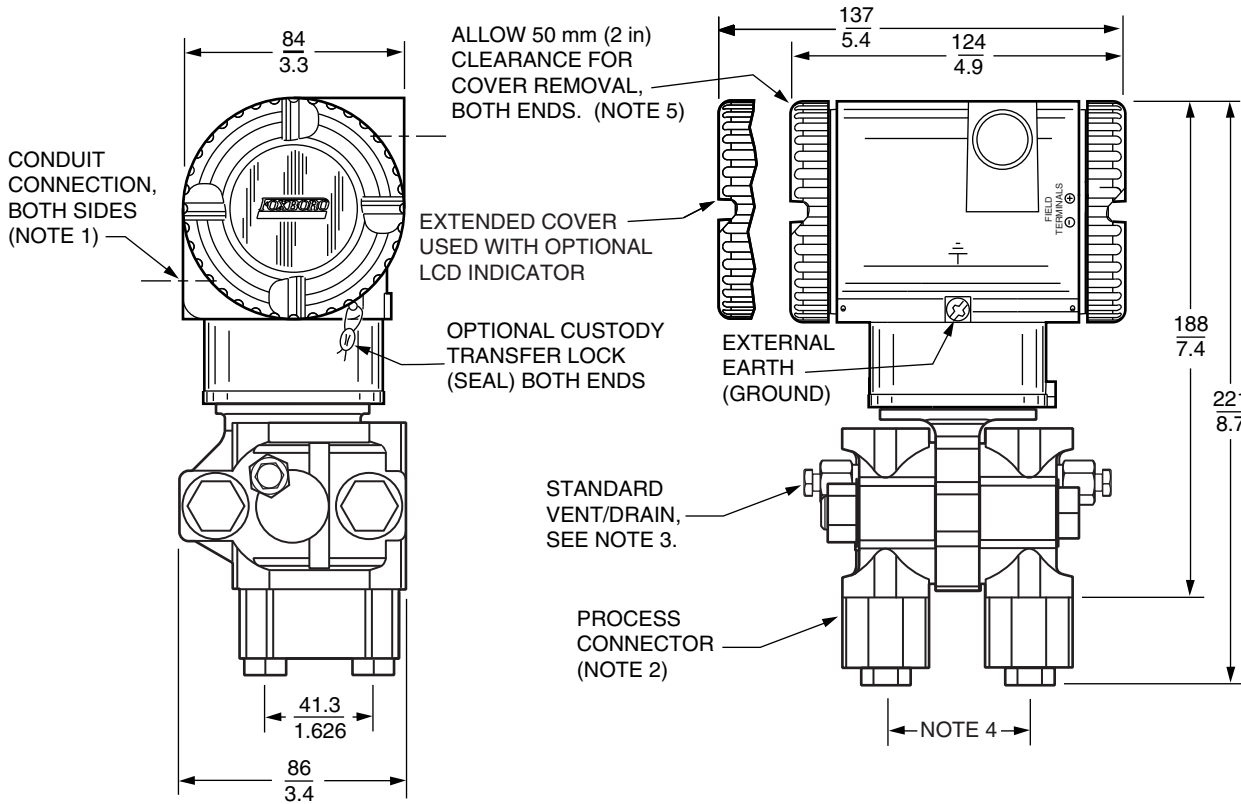
NOTES:

1. CONDUIT CONNECTION 1/2 NPT, M20, OR PG 13.5, BOTH SIDES: PLUG UNUSED CONNECTION WITH METAL PLUG (SUPPLIED).
2. PROCESS CONNECTORS MAY BE REMOVED AND CONNECTIONS MADE DIRECTLY TO PROCESS COVER USING 1/4 NPT INTERNAL THREAD IN PROCESS COVER.
3. PROCESS COVERS CAN BE INVERTED MAKING OPTIONAL VENTS OR DRAINS.
4. PROCESS CONNECTORS CAN BE INVERTED TO GIVE EITHER 51, 54, OR 57 mm (2.0, 2.125, OR 2.25 in) CENTER-TO-CENTER DISTANCE BETWEEN HIGH AND LOW PRESSURE CONNECTIONS.
5. TOPWORKS CAN BE ROTATED TO ANY POSITION WITHIN ONE TURN COUNTERCLOCKWISE OF THE FULLY TIGHTENED POSITION.
6. END PLUGS ARE SUBSTITUTED WITH VENT/DRAIN WHEN OPTIONAL VENTS/DRAINS ARE SPECIFIED.



For dimensional information specific to your sales order, refer to Certified Dimensional Prints (CDPs) which can be ordered from your Foxboro Sales Office or authorized factory representative.

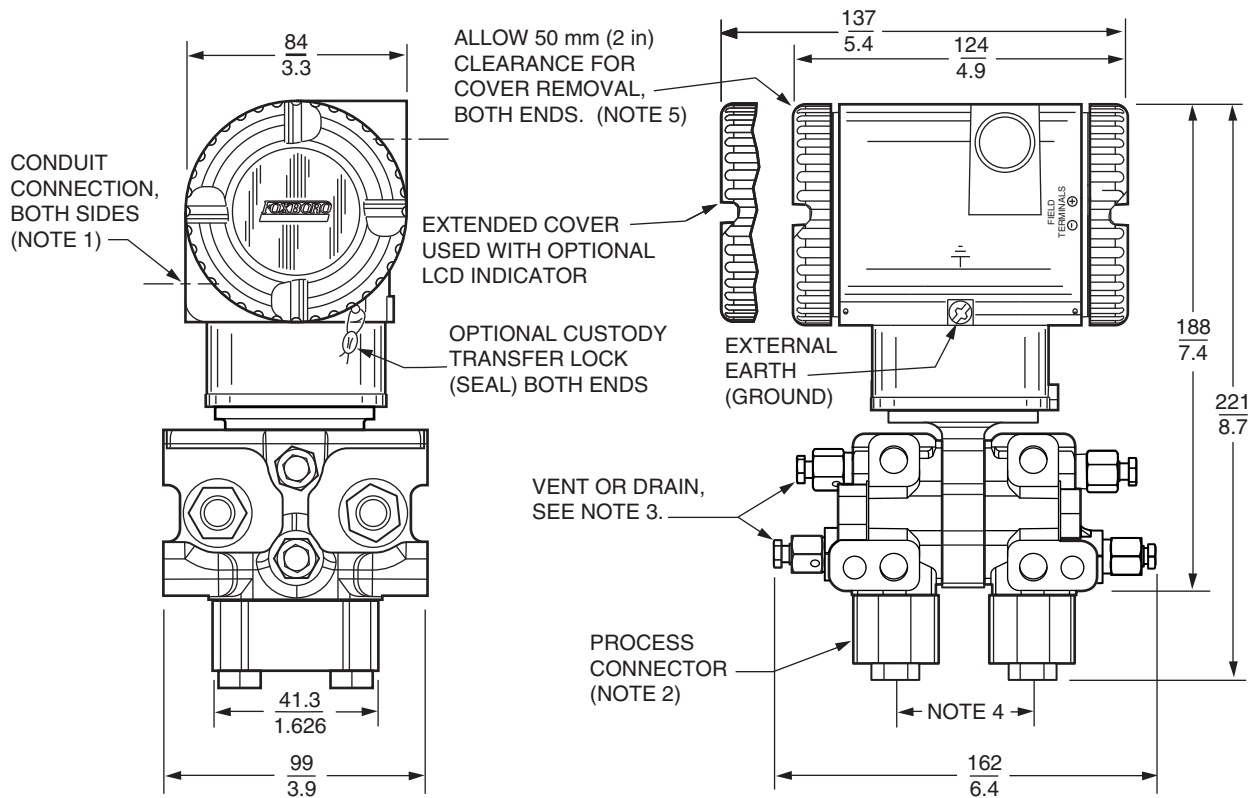
TRANSMITTER WITH LP1 LOW PROFILE STRUCTURE



NOTES:

1. CONDUIT CONNECTION 1/2 NPT, PG 13.5, OR M 20, BOTH SIDES: PLUG UNUSED CONNECTION WITH METAL PLUG (SUPPLIED).
2. PROCESS CONNECTORS MAY BE REMOVED AND CONNECTIONS MADE DIRECTLY TO PROCESS COVER USING 1/4 NPT INTERNAL THREAD IN PROCESS COVER.
3. THE TRANSMITTER IS SHOWN IN THE VERTICALLY UPRIGHT POSITION. NOTE THE LOCATION OF THE STANDARD VENT /DRAIN SCREW, IN THIS CONFIGURATION THE TRANSMITTER CAN BE VENTED OR IS SELF DRAINING, ALSO RECOMMENDED IS A HORIZONTAL INSTALLATION WHERE THE INSTALLED ORIENTATION CAN BE SET TO ALLOW FOR VENTING OR DRAINING.
4. PROCESS CONNECTORS CAN BE INVERTED TO GIVE EITHER 51, 54, OR 57 mm (2.0, 2.125, OR 2.25 in) CENTER-TO-CENTER DISTANCE BETWEEN HIGH AND LOW PRESSURE CONNECTIONS.
5. TOPWORKS CAN BE ROTATED TO ANY POSITION WITHIN ONE TURN COUNTERCLOCKWISE OF THE FULLY TIGHTENED POSITION.

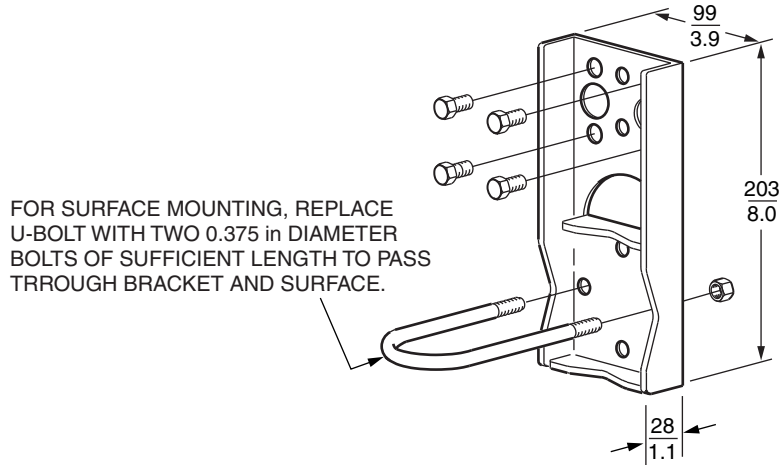
TRANSMITTER WITH LP2 LOW PROFILE STRUCTURE



NOTES:

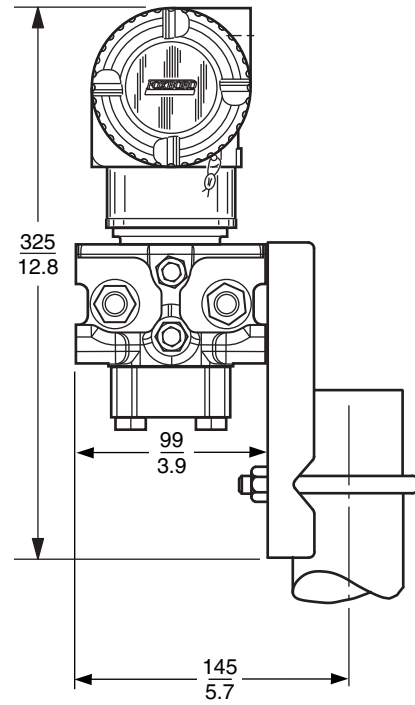
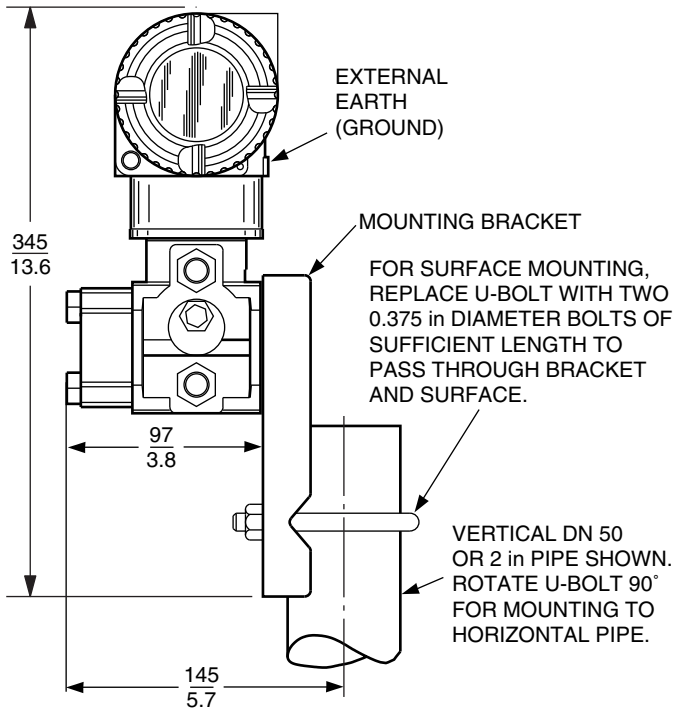
1. CONDUIT CONNECTION 1/2 NPT, PG 13.5, OR M20, BOTH SIDES: PLUG UNUSED CONNECTION WITH METAL PLUG (SUPPLIED).
2. PROCESS CONNECTORS MAY BE REMOVED AND CONNECTIONS MADE DIRECTLY TO PROCESS COVER USING 1/4 NPT INTERNAL THREAD IN PROCESS COVER.
3. THE TRANSMITTER IS SHOWN VERTICALLY MOUNTED WITH THE HOUSING UPWARD. IN THIS CONFIGURATION, THE VENT AND DRAIN ARE AS SHOWN/INDICATED. WHEN THE HOUSING IS MOUNTED VERTICALLY DOWNWARD, THEN THE VENT AND DRAIN SHOWN ABOVE ARE REVERSED (THAT IS, THE VENT IS ALWAYS UPWARD OF THE DRAIN).
4. PROCESS CONNECTORS CAN BE INVERTED TO GIVE EITHER 51, 54, OR 57 mm (2.0, 2.125, OR 2.25 in) CENTER-TO-CENTER DISTANCE BETWEEN HIGH AND LOW PRESSURE CONNECTIONS.
5. TOPWORKS CAN BE ROTATED TO ANY POSITION WITHIN ONE TURN COUNTERCLOCKWISE OF THE FULLY TIGHTENED POSITION.

STANDARD MOUNTING BRACKET KIT
 (Options -M1 and -M2)

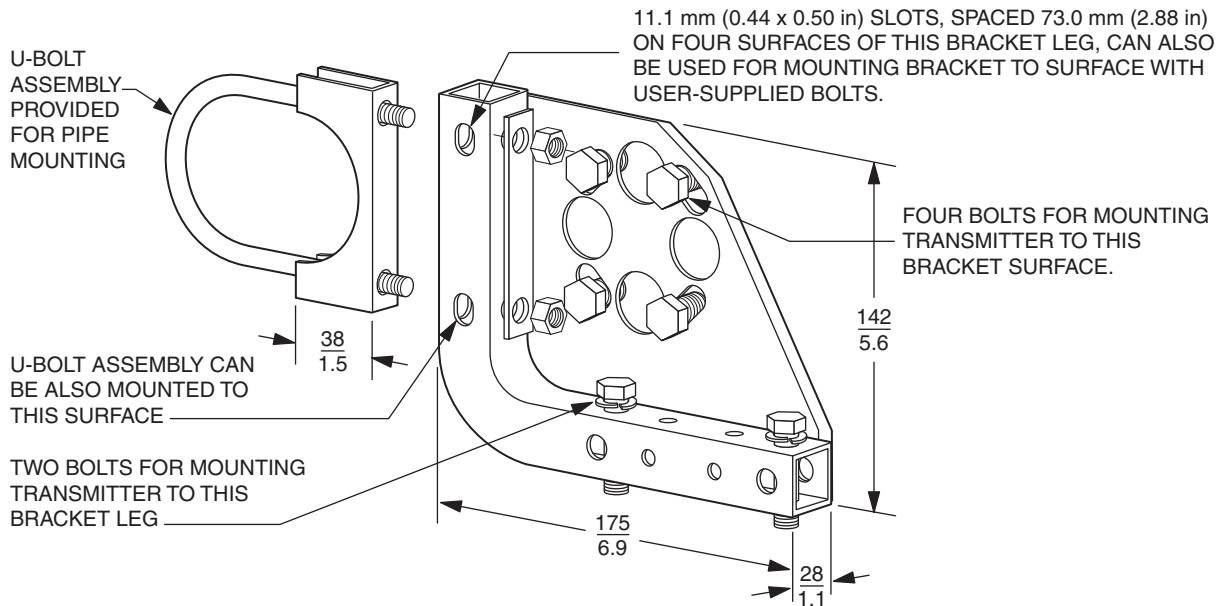


TRANSMITTER WITH TRADITIONAL STRUCTURE

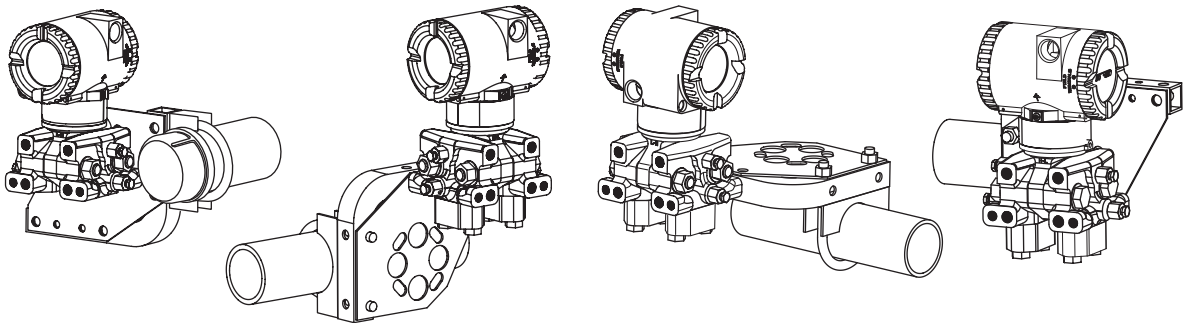
TRANSMITTER WITH LP2 LOW PROFILE STRUCTURE



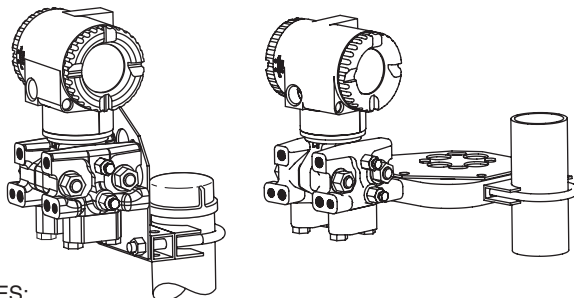
UNIVERSAL MOUNTING BRACKET KIT (OPTION M3)



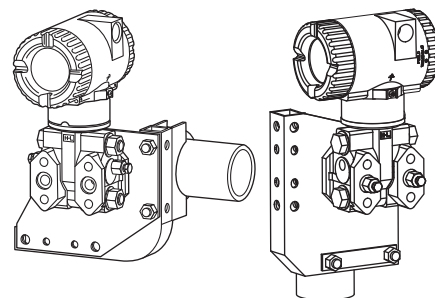
TYPICAL HORIZONTAL PIPE MOUNTING WITH LP2 LOW PROFILE STRUCTURE



TYPICAL VERTICAL PIPE MOUNTING WITH LP2 LOW PROFILE STRUCTURE



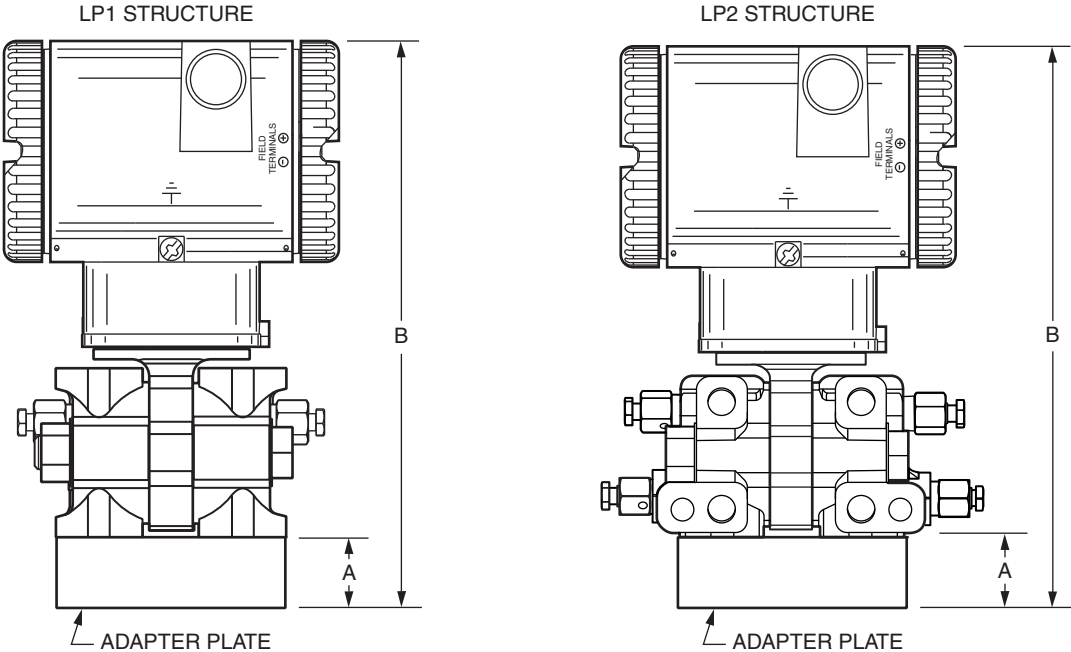
TYPICAL PIPE MOUNTING WITH TRADITIONAL STRUCTURE



NOTES:

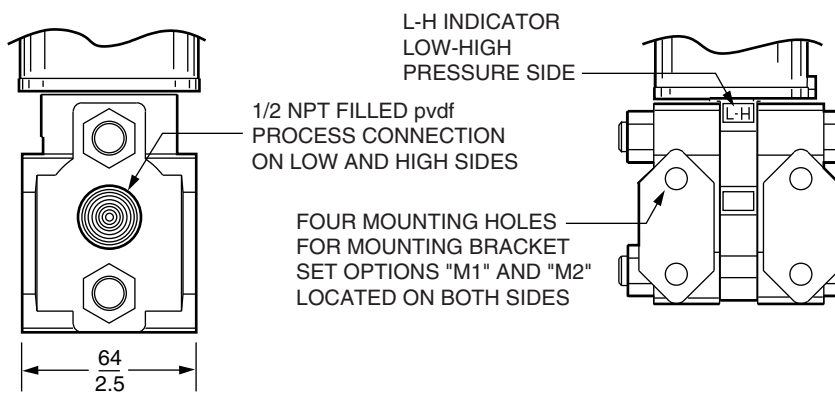
1. FOR SURFACE MOUNTING CONFIGURATIONS, USE THE U-BOLT MOUNTING HOLES FOR ATTACHING THE BRACKET TO A SURFACE RATHER THAN TO THE U-BOLT ASSEMBLY. SURFACE MOUNTING BOLTS FOR ATTACHING THE BRACKET TO A SURFACE ARE USER SUPPLIED.

TRANSMITTER MOUNTED ON A COPLANAR™ MANIFOLD

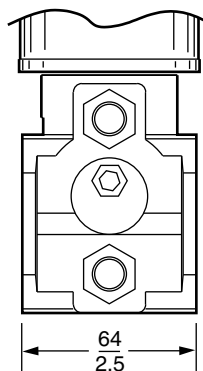


Manifold	Dimension A	Dimension B
MC	$\frac{11}{0.5}$	$\frac{199}{7.9}$
MT3	$\frac{22}{0.9}$	$\frac{210}{8.3}$

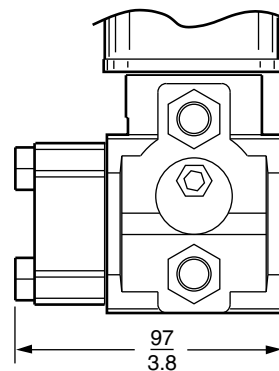
**TRANSMITTER WITH TRADITIONAL STRUCTURE
AND FILLED pvdf CONNECTION "78" and "79"**



**TRANSMITTER WITH TRADITIONAL STRUCTURE
AND OPTIONAL DIN CONSTRUCTION "-D1" TO "-D8"**



OPTIONAL DIN CONSTRUCTION
SINGLE ENDED PROCESS COVER
OPTIONS "-D1", "-D3", "-D5", AND "-D7"



OPTIONAL DIN CONSTRUCTION
DOUBLE ENDED PROCESS COVER
OPTIONS "-D2", "-D4", "-D6", AND "-D8"

Invensys Operations Management
5601 Granite Parkway Suite 1000
Plano, TX 75024
www.iom.invensys.com

Global Client Support
Inside U.S.: 1-866-746-6477
Outside U.S.: 1-508-549-2424 or contact
your local Foxboro representative.
Website: <http://support.ips.invensys.com>

Invensys, Foxboro, and I/A Series are trademarks of Invensys plc,
its subsidiaries, and affiliates.
All other brand names may be trademarks of their respective
owners.

Copyright 1995-2012 Invensys Systems, Inc.
All rights reserved