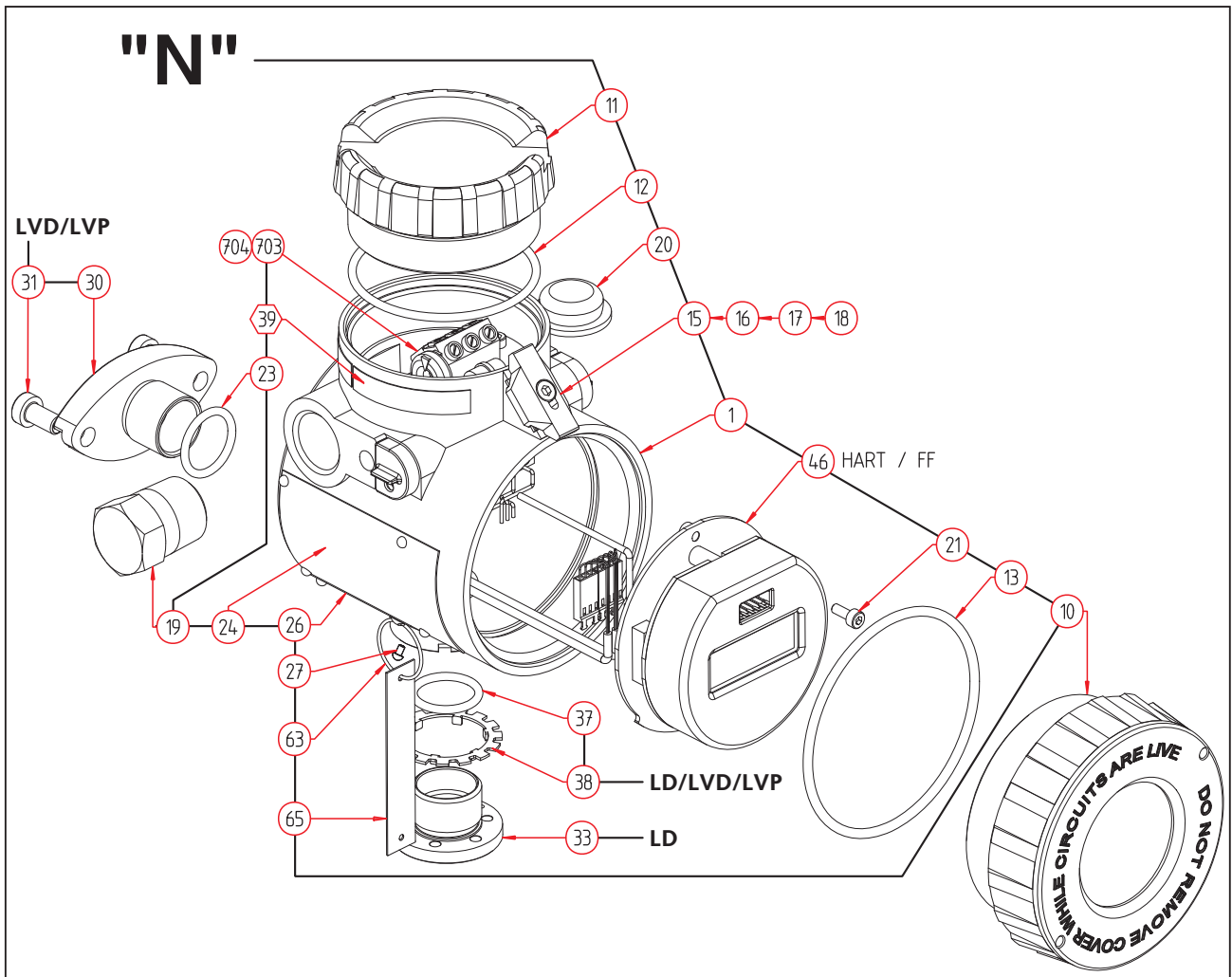


**144LD (TransStar) Intelligent Buoyancy Transmitters for
144LVD (TransStar) Liquid Level, Interface and Density
244LD TransStar
244LVP TransStar**

Parts Set 244LD-.....-N (Amplifier)

The Parts Set contains all parts on the drawing.



Foxboro[®]

by Schneider Electric

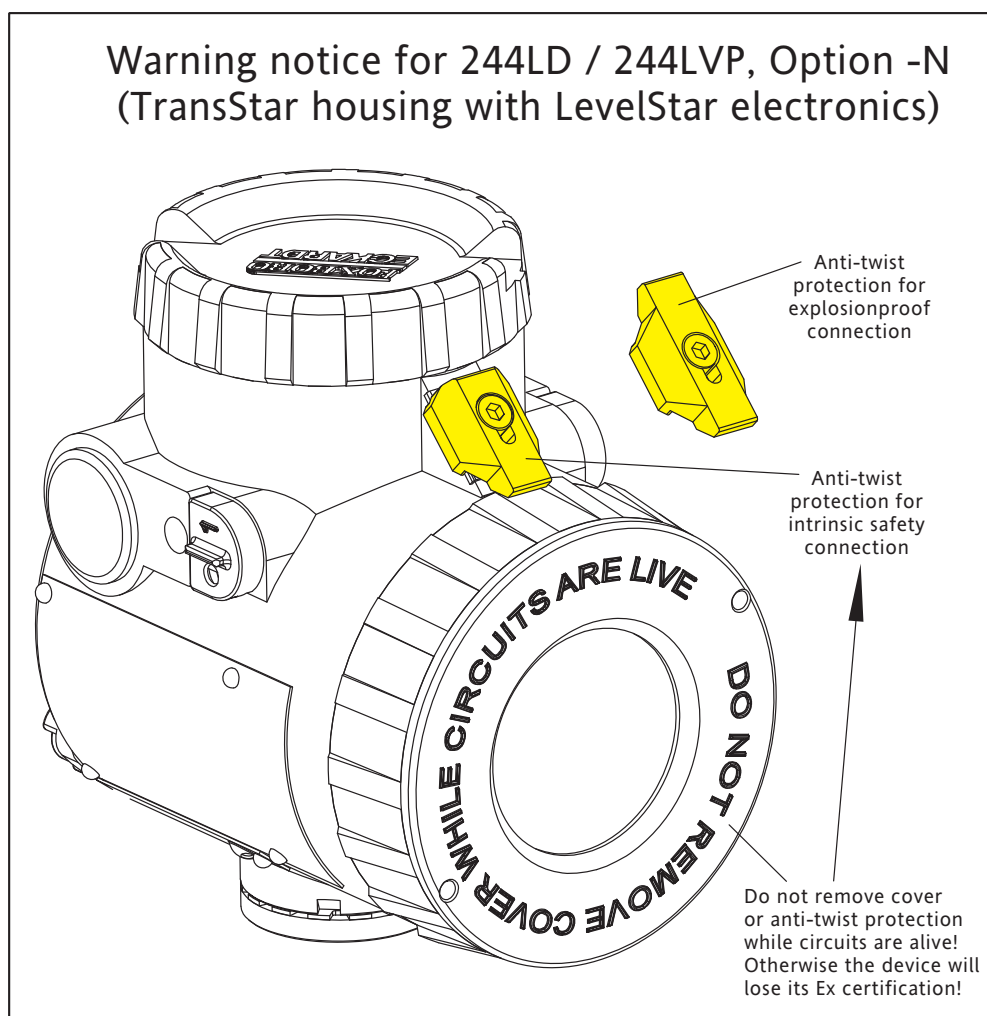
Important notices:

For spare parts supplies for devices with certification resp. for supply of spare parts with certification we only warrant that the supplied spare part in its delivery condition is suitable for the certification as indicated by purchaser.

Validity of a certification generally becomes effective after orderly assembly to the complete device. Herefore, we do not assume any guarantee.

For the repair and change of explosionproof devices, the national regulations have to be observed.

Repair and maintenance must be carried out by qualified personnel!



Subject to alterations - reprinting, copying and translation prohibited. Products and publications are normally quoted here without reference to existing patents, registered utility models or trademarks. The lack of any such reference does not justify the assumption that a product or symbol is free.

FOXBORO ECKARDT GmbH

Pragstr. 82

D-70376 Stuttgart

Germany

Tel. +49 (0)711 502-0

Fax +49 (0)711 502-597

<http://www.foxboro-eckardt.com>

ECKARDT S.A.S.

20 rue de la Marne

F-68360 Sultz

France

Tel. + 33 (0)3 89 62 15 30

Fax + 33 (0)3 89 62 14 85

DOKT 556 588 331

Schneider
Electric