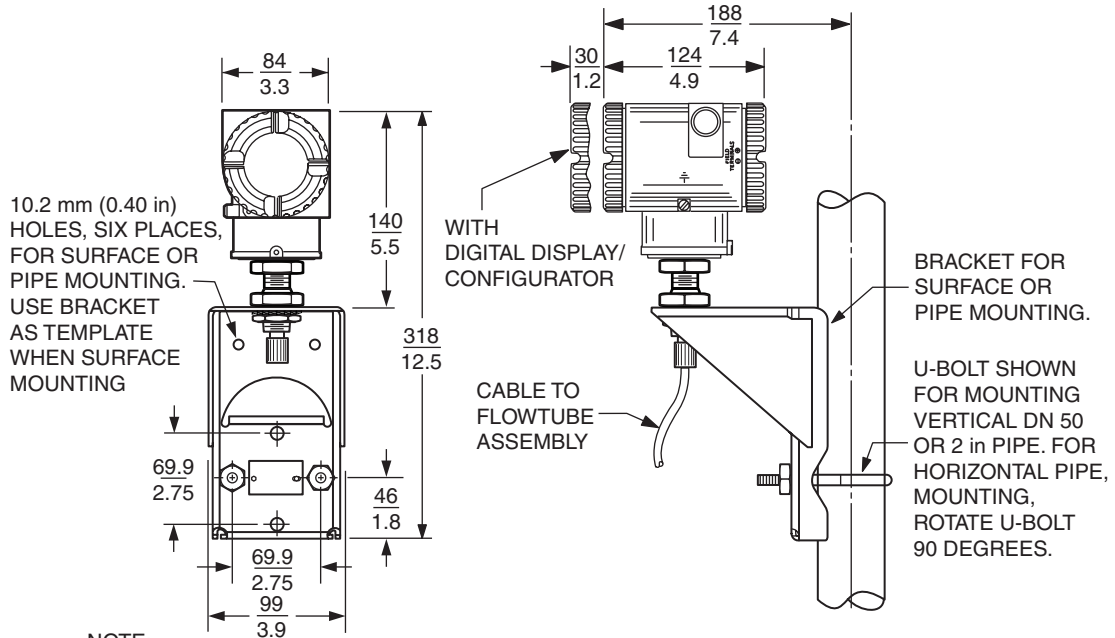


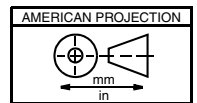
I/A Series[®] Intelligent Vortex Flowmeters

84S Sanitary Flowmeter

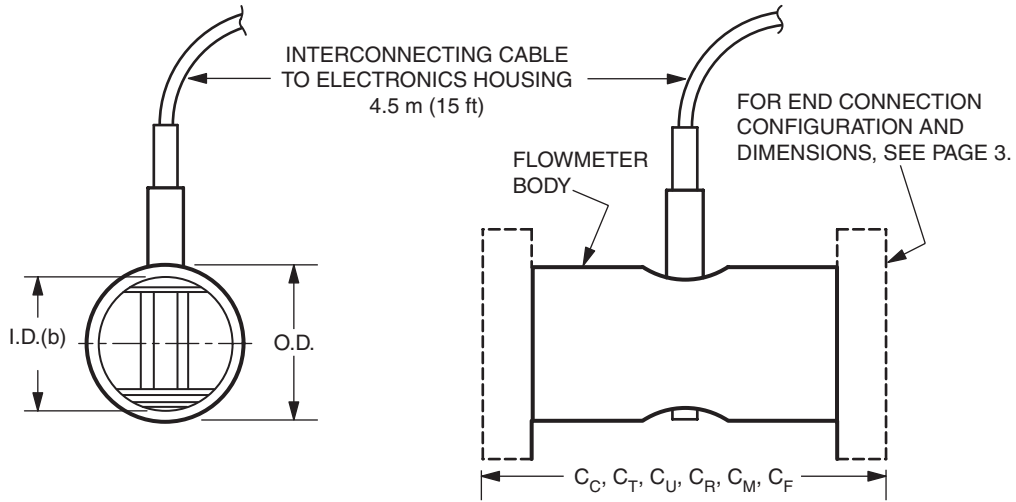


NOTE:

WHEN THE BRACKET IS USED FOR WALL MOUNTING, REPLACE U-BOLT WITH TWO (OR FOUR IF NECESSARY) 0.375 IN BOLTS OF SUFFICIENT LENGTH TO PASS THROUGH THE BRACKET AND SURFACE



For dimensional information specific to your sales order, refer to Certified Dimensional Prints (CDPs) which can be ordered from your Foxboro Sales Office or authorized factory representative.

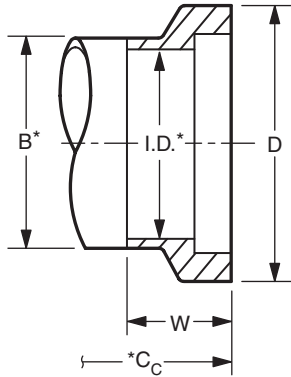


FLOWMETER BODY DIMENSIONS

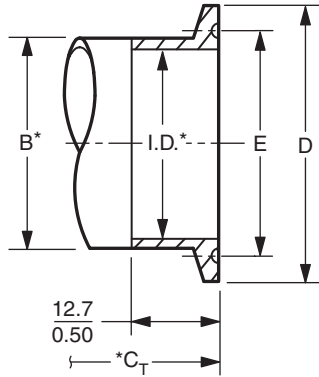
Nominal Line Size	Flowmeter Body Dimensions (a)							
	I.D.(b)	OD	C_C	C_T	C_U	C_R	C_M	C_F
$\frac{50}{2}$	$\frac{47.50}{1.870}$	$\frac{50.8}{2.00}$	$\frac{155}{6.1}$	$\frac{127}{5.0}$	$\frac{145}{5.7}$	$\frac{160}{6.3}$	$\frac{173}{6.8}$	$\frac{254}{10.0}$
$\frac{80}{3}$	$\frac{72.90}{2.870}$	$\frac{76.2}{3.00}$	$\frac{213}{8.4}$	$\frac{178}{7.0}$	$\frac{196}{7.7}$	$\frac{211}{8.3}$	$\frac{334}{9.2}$	$\frac{251}{9.9}$

(a) C_C = TUBE LENGTH WITH END CONNECTION "C" AND SO FORTH.
 (b) I.D. = EQUIVALENT TO SCHEDULE 80 PIPE.

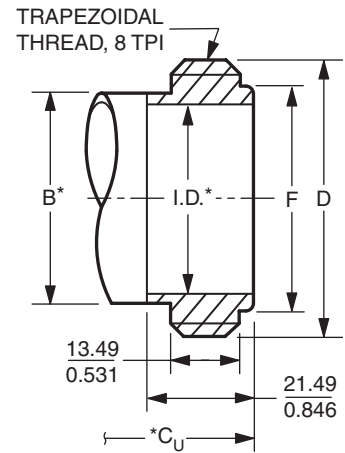
3A I-LINE FITTING (CODE C)



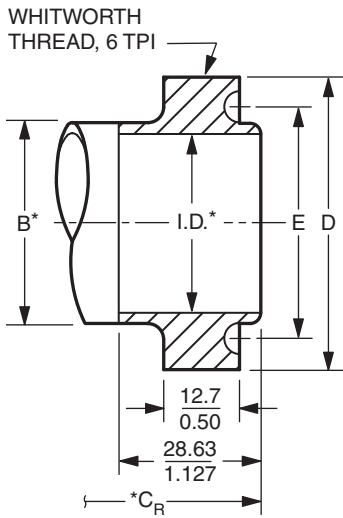
3A TRI-CLAMP (CODE T)



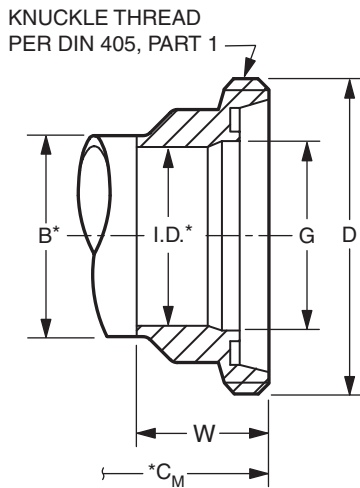
ISS COUPLING (CODE U)



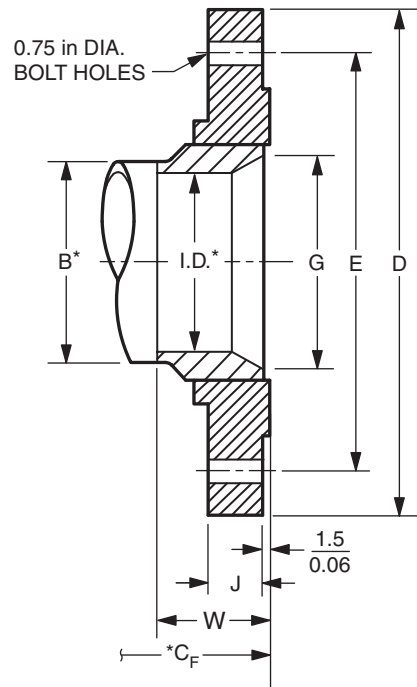
RJT COUPLING (CODE R)



SI COUPLING (CODE M)



ANSI CLASS 150 FLANGE (CODE F)



NOM. LINE SIZE	END CONNECTION DIMENSIONS(a)															
	CODE C		CODE T		CODE U		CODE R		CODE M			CODE F				
	D	W	D	E	D	F	D	E	D	G	W	D	E	G	J	W
50 2	67.06 2.640	26.19 1.031	64.0 2.52	56.4 2.22	64.08 2.523	56.21 2.213	72.72 2.863	58.67 2.310	78 3.1	50 2.0	35 1.4	152.4 6.00	120.7 4.75	57.02 2.245	17.5 0.69	41.1 1.62
80 3	98.30 3.870	30.96 1.219	90.9 3.58	83.3 3.28	91.11 3.587	82.60 3.252	98.12 3.863	84.07 3.310	110 4.3	81 3.2	40 1.6	190.5 7.50	152.4 6.00	84.68 3.334	22.4 0.88	46.0 1.81

(a) REFER TO FLOWMETER BODY DIMENSIONS TABLE ON PAGE 2 FOR VALUES OF B, C, AND I.D.

33 Commercial Street
Foxboro, MA 02035-2099
United States of America
www.foxboro.com
Inside U.S.: 1-866-746-6477
Outside U.S.: 1-508-549-2424
or contact your local Foxboro
representative.
Facsimile: 1-508-549-4999

Invensys, Foxboro, and I/A Series are trademarks of Invensys plc, its subsidiaries, and affiliates.
All other brand names may be trademarks of their respective owners.

Copyright 2006 Invensys Systems, Inc.
All rights reserved

MB 190

Printed in U.S.A

1006