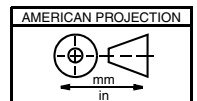
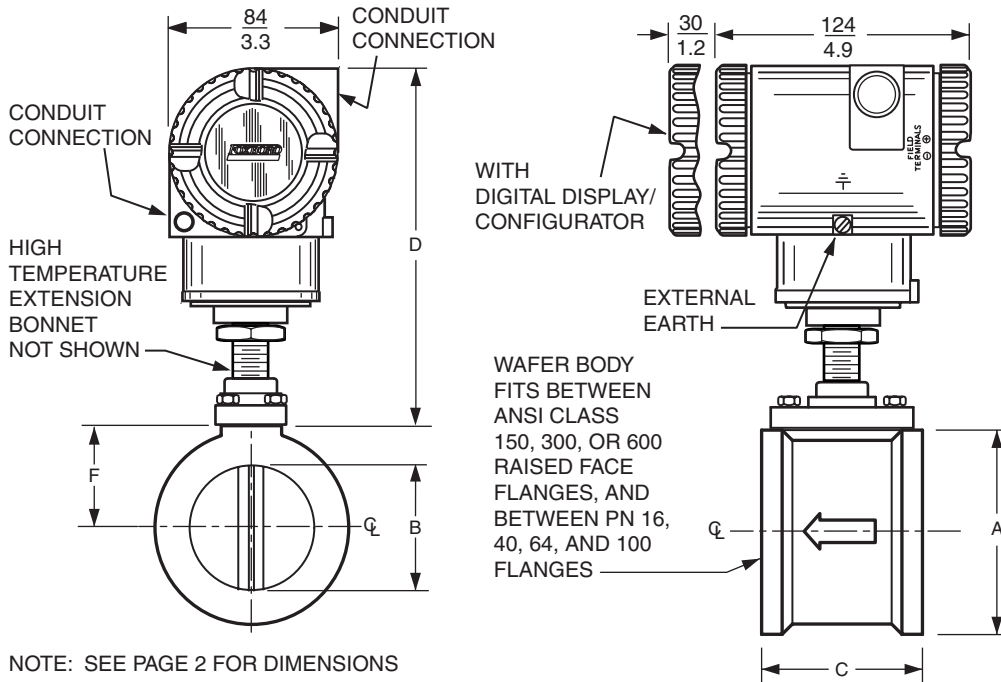


I/A Series[®] Intelligent Vortex Flowmeters

84W Wafer Body Integrally Mounted Electronics

84W Flowmeter Body With Integrally Mounted Electronics



For dimensional information specific to your sales order, refer to Certified Dimensional Prints (CDPs) which can be ordered from your Foxboro Sales Office or authorized factory representative.

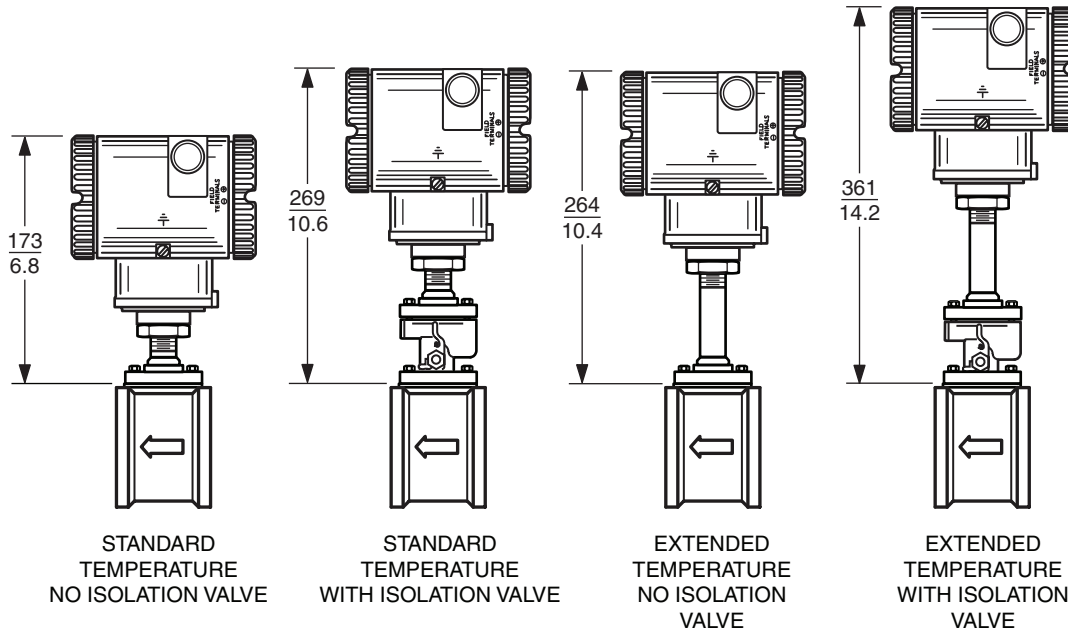
**84W Wafer Body Flowmeter - Dimensions^(a)
With Integral Electronics Housing**

Nominal Line Size	Dimensions: mm or in, as Applicable			
	A (O.D.)	B (I.D.) ^(b)	C	F
20 mm (3/4 in)	57.2 mm (2.25 in)	18.8 mm (0.74 in)	79.5 mm (3.13 in)	36.6 mm (1.44 in)
25 mm (1 in)	66.8 mm (2.63 in)	24.3 mm (0.96 in)	79.5 mm (3.13 in)	39.4 mm (1.55 in)
40 mm (1 1/2 in)	85.9 mm (3.38 in)	38.1 mm (1.50 in)	79.5 mm (3.13 in)	46.2 mm (1.82 in)
50 mm (2 in)	104.6 mm (4.12 in)	49.2 mm (1.94 in)	79.5 mm (3.13 in)	49.3 mm (1.94 in)
80 mm (3 in)	136.7 mm (5.38 in)	72.9 mm (2.87 in)	95.3 mm (3.75 in)	60.2 mm (2.37 in)
100 mm (4 in)	174.5 mm (6.87 in)	96.7 mm (3.81 in)	120.7 mm (4.75 in)	73.9 mm (2.91 in)
150 mm (6 in)	222.3 mm (8.75 in)	147.3 mm (5.80 in)	177.8 mm (7.00 in)	98.0 mm (3.86 in)
200 mm (8 in)	279.4 mm (11.00 in)	193.0 mm (7.60 in)	228.6 mm (9.00 in)	122.9 mm (4.84 in)

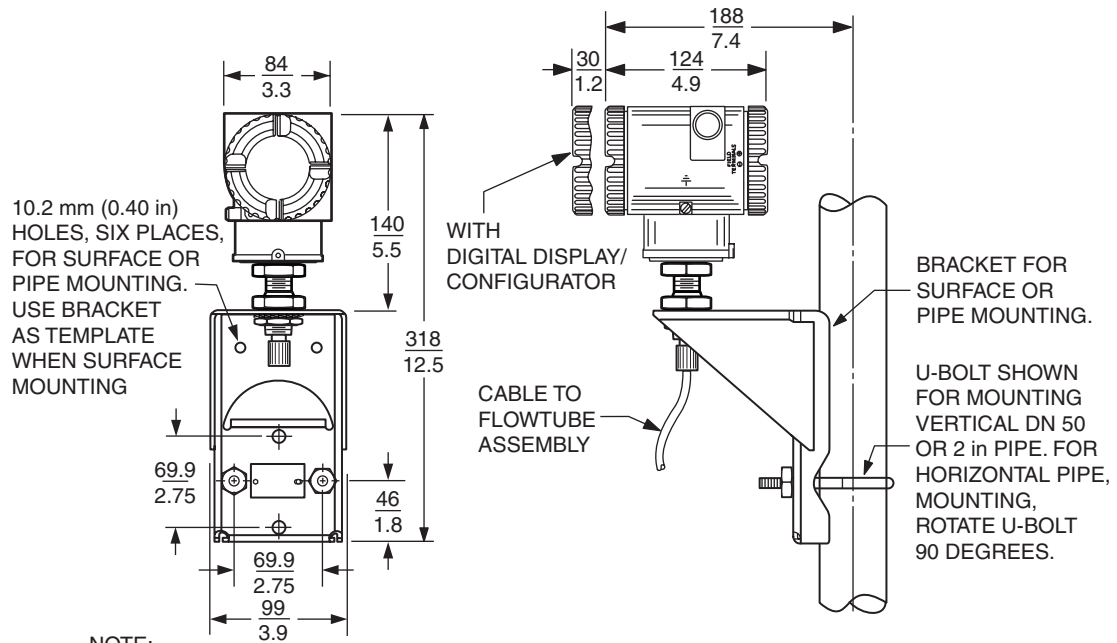
(a) Flowmeter body fits between ANSI Class 150, 300, or 600 raised face flanges and PN16, 40, 63, and 100 flanges.

(b) Bore equivalent to Schedule 80 pipe.

"D" DIMENSIONS



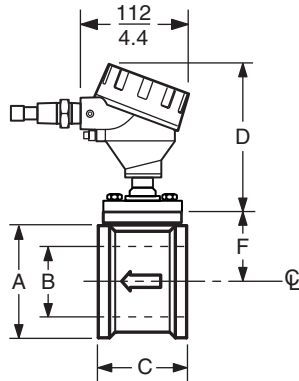
Remotely Mounted Electronics Housing



NOTE:

WHEN THE BRACKET IS USED FOR WALL MOUNTING, REPLACE U-BOLT WITH TWO (OR FOUR IF NECESSARY) 0.375 IN BOLTS OF SUFFICIENT LENGTH TO PASS THROUGH THE BRACKET AND SURFACE

84W Flowmeter Body With Integral Junction Box for Remotely Mounted Electronics



For Dimensions A, B, C, and F, refer to Page 2.

“D” DIMENSIONS

