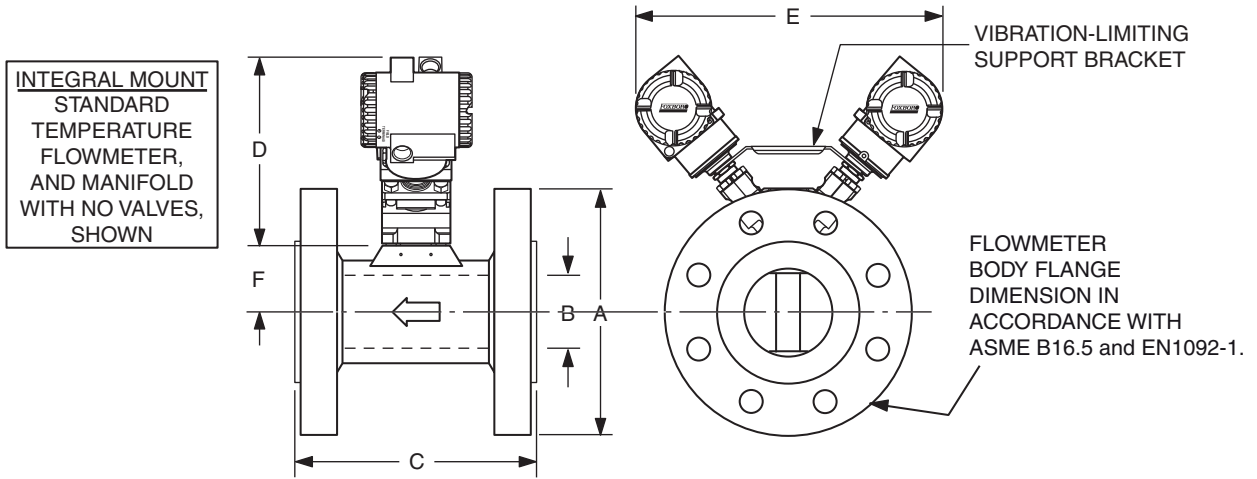


I/A Series[®] Intelligent Vortex Flowmeters

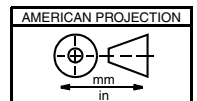
84F (Style A) Flanged Body – Dual Measurement Configuration

84F (Style A) Flowmeter Body with Integrally Mounted Electronics



For Dimensions A, B, C, and F, refer to Page 2.

For Dimensions D and E, refer to Page 3.



For dimensional information specific to your sales order, refer to Certified Dimensional Prints (CDPs) which can be ordered from your Invensys Sales Office or authorized factory representative.

84F (Style A) Single Measurement Configuration With ANSI Flanges and With Integral Housing

Nominal Line Size	ANSI Flange Type	Dimensions in inches (in)			
		A O.D.	B I.D.	C ^(a)	F
3/4 in	Class 150	3.88	0.74	6.00	1.44
	Class 300	4.62	0.74	6.00	
	Class 600	4.62	0.74	6.50	
1 in	Class 150	4.25	0.96	6.50	1.55
	Class 300	4.88	0.96	6.50	
	Class 600	4.88	0.96	7.00	
1 1/2 in	Class 150	5.00	1.50	7.25	1.82
	Class 300	6.12	1.50	7.25	
	Class 600	6.12	1.50	7.88	
2 in	Class 150	6.00	1.94	7.75	1.94
	Class 300	6.50	1.94	7.75	
	Class 600	6.50	1.94	8.50	
3 in	Class 150	7.50	2.87	8.75	2.37
	Class 300	8.25	2.87	8.75	
	Class 600	8.25	2.87	9.50	
4 in	Class 150	9.00	3.81	9.50	2.91
	Class 300	10.00	3.81	9.50	
	Class 600	10.75	3.81	10.50	
6 in	Class 150	11.00	5.77	12.00	4.04
	Class 300	12.50	5.77	12.75	
	Class 600	14.00	5.77	14.75	
8 in	Class 150	13.50	7.63	15.00	5.09
	Class 300	15.00	7.63	15.75	
	Class 600	16.50	7.63	18.00	
10 in	Class 150	16.00	9.85	15.00	6.17
	Class 300	17.50	9.85	16.20	
12 in	Class 150	19.00	11.85	17.00	7.17
	Class 300	20.50	11.85	18.20	

84F (Style A) Single Measurement Configuration With Metric Flanges and With Integral Housing

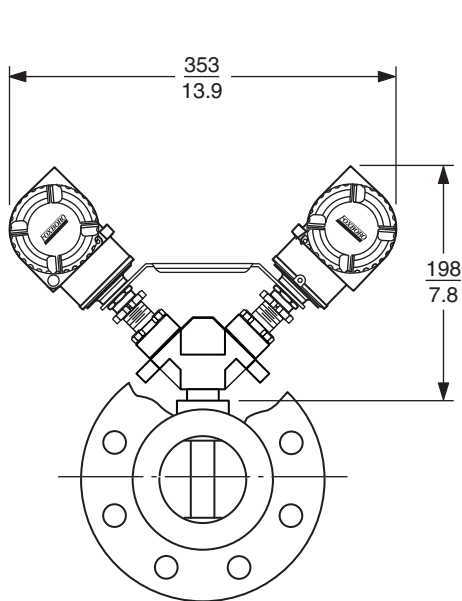
Nominal Line Size	Metric Flange Type	Dimensions in millimeters (mm)			
		A O.D.	B I.D.	C ^(a)	F
15 mm ^(b)	PN 40 ^(c)	95	18.8	152	36.6
	PN 100	105	18.8	160	
25 mm	PN 40 ^(c)	115	24.3	166	39.4
	PN 100	140	24.3	178	
40 mm	PN 40 ^(c)	150	38.1	179	46.2
	PN 100	170	38.1	199	
50 mm	PN 40 ^(c)	165	49.2	193	49.3
	PN 63	180	49.2	202	
	PN 100	195	49.2	211	
80 mm	PN 40 ^(c)	200	72.9	220	60.2
	PN 63	215	72.9	230	
	PN 100	230	72.9	242	
100 mm	PN 40 ^(c)	235	96.7	240	73.9
	PN 63	250	96.7	250	
	PN 100	265	96.7	268	
150 mm	PN 16	285	147	305	102.5
	PN 40 ^(c)	300	147	320	
	PN 63	345	147	360	
	PN 100	355	147	360	
200 mm	PN 16	340	194	381	129.3
	PN 40	375	194	396	
	PN 63	415	194	443	
250 mm	PN 100	430	194	443	156.7
	PN 16	450	248	316	
	PN 40	450	248	408	
300 mm	PN 63	470	248	481	182.1
	PN 16	515	299	358	
	PN 40	515	299	461	
	PN 63	530	299	513	

(a) For 3/4 in (15 mm) through 4 in (100 mm) meters, overall length "C" is ± 0.11 in (± 2.8 mm).
 For 6 in (150 mm) through 12 in (300 mm) meters, overall length "C" is ± 0.250 in (± 6.4 mm).

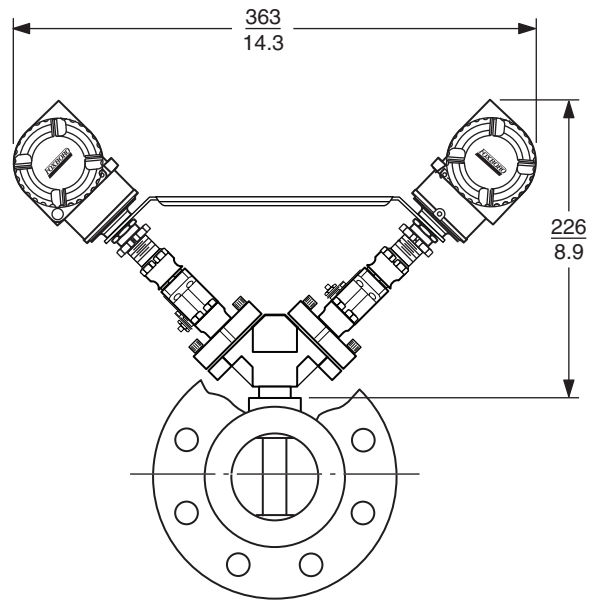
(b) Flange size is 15 mm.

(c) May be used with PN 25 mating flange.

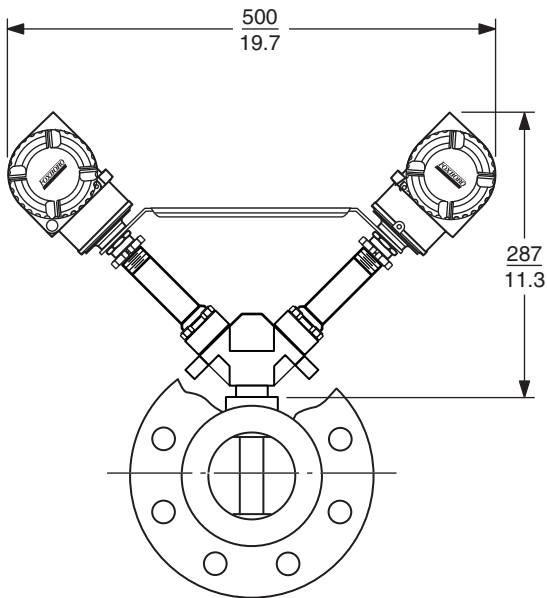
“D” and “E” Dimensions



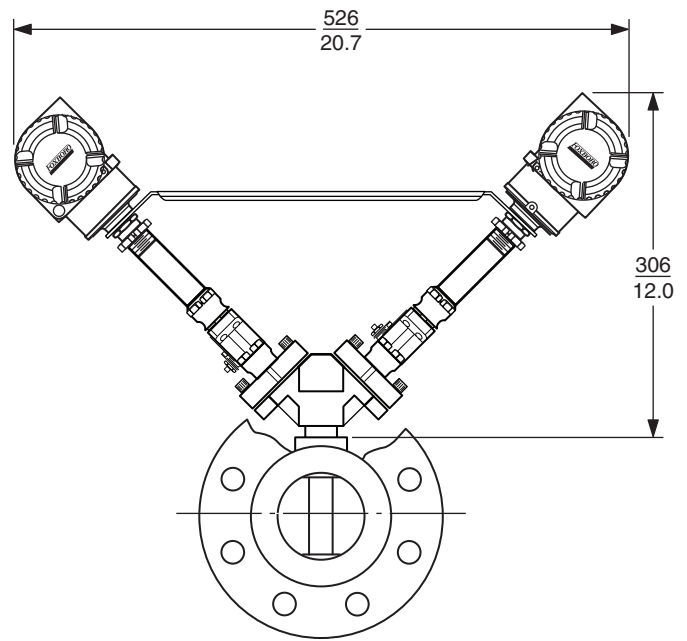
STANDARD TEMPERATURE
NO ISOLATION VALVE



STANDARD TEMPERATURE
WITH ISOLATION VALVE

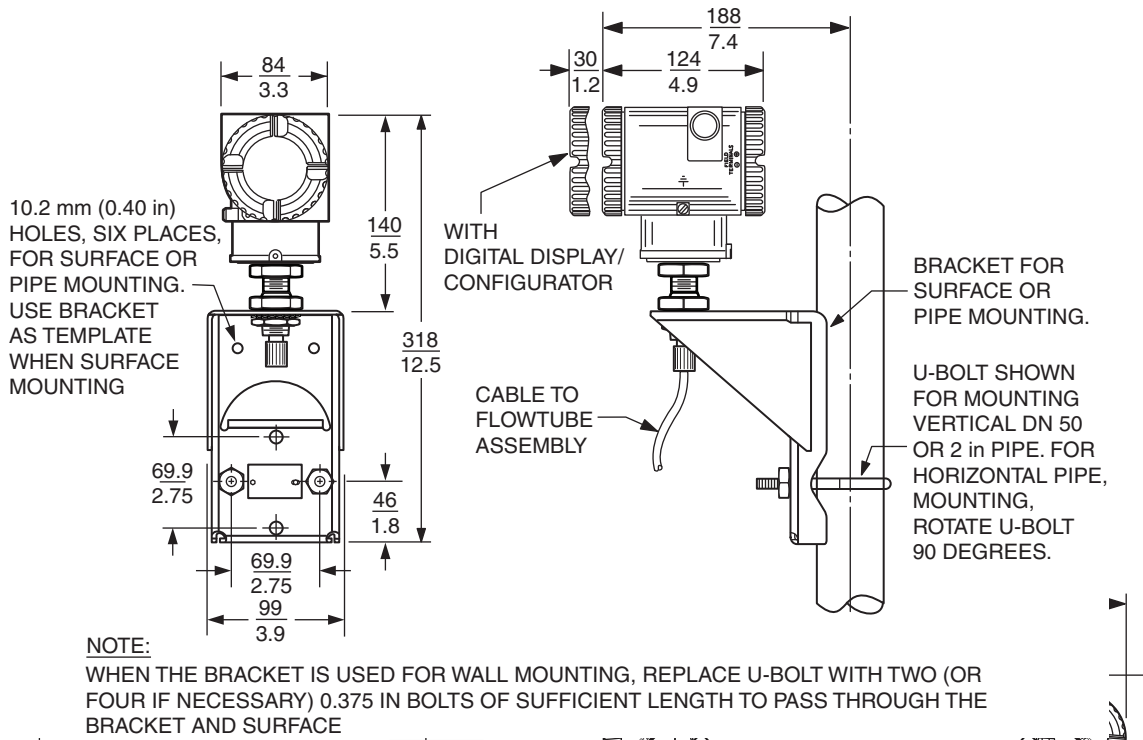


EXTENDED TEMPERATURE
NO ISOLATION VALVE

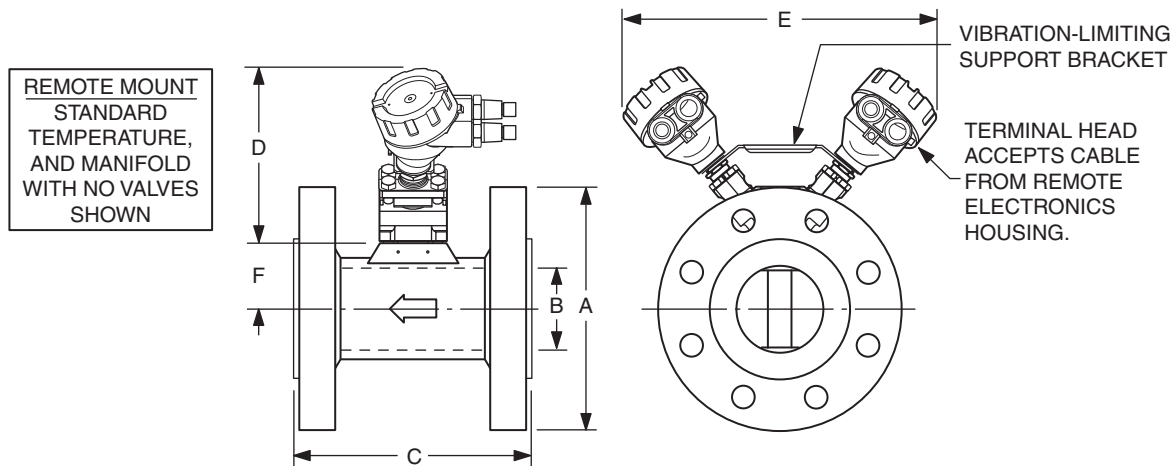


EXTENDED TEMPERATURE
WITH ISOLATION VALVE

Remotely Mounted Electronics Housing



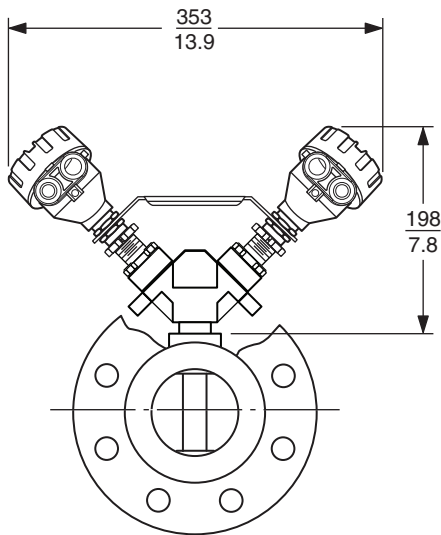
84F (Style A) Flowmeter Body with Integral Junction Box for Remotely Mounted Electronics



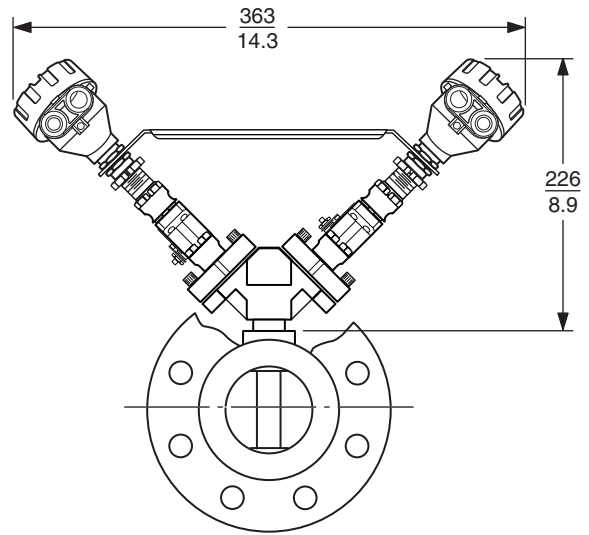
For Dimensions A, B, C, and F, refer to Page 2.

For Dimension D, refer to Page 5.

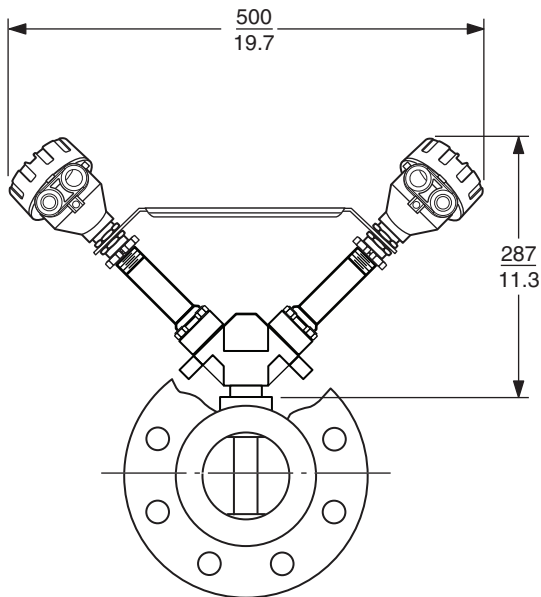
“D” and “E” Dimensions



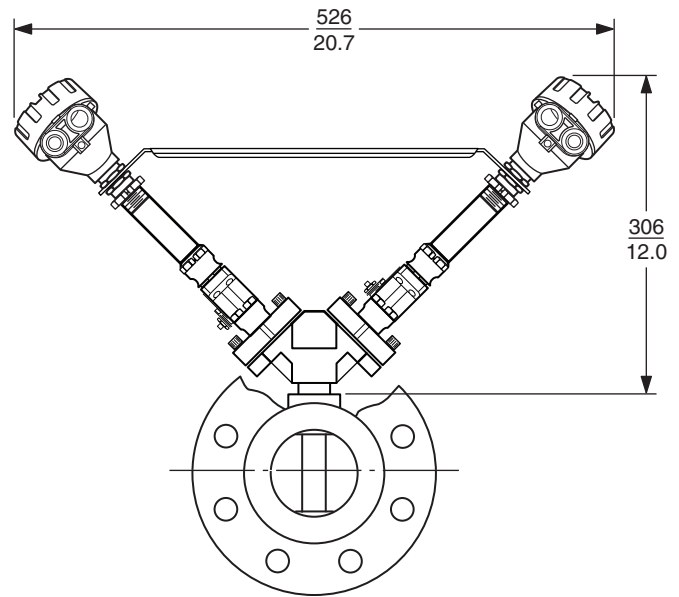
STANDARD TEMPERATURE
NO ISOLATION VALVE



STANDARD TEMPERATURE
WITH ISOLATION VALVE



EXTENDED TEMPERATURE
NO ISOLATION VALVE



EXTENDED TEMPERATURE
WITH ISOLATION VALVE

Invensys Operations Management
5601 Granite Parkway Suite 1000
Plano, TX 75024
United States of America
<http://www.iom.invensys.com>

Global Customer Support
Inside U.S.: 1-866-746-6477
Outside U.S.: 1-508-549-2424 or contact
your local Invensys representative.
Website: <http://support.ips.invensys.com>

Invensys, Foxboro, and I/A Series are trademarks of
Invensys plc, its subsidiaries, and affiliates.
All other brand names may be trademarks of their respective
owners.

Copyright 1999-2011 Invensys Systems, Inc.
All rights reserved

MB 190