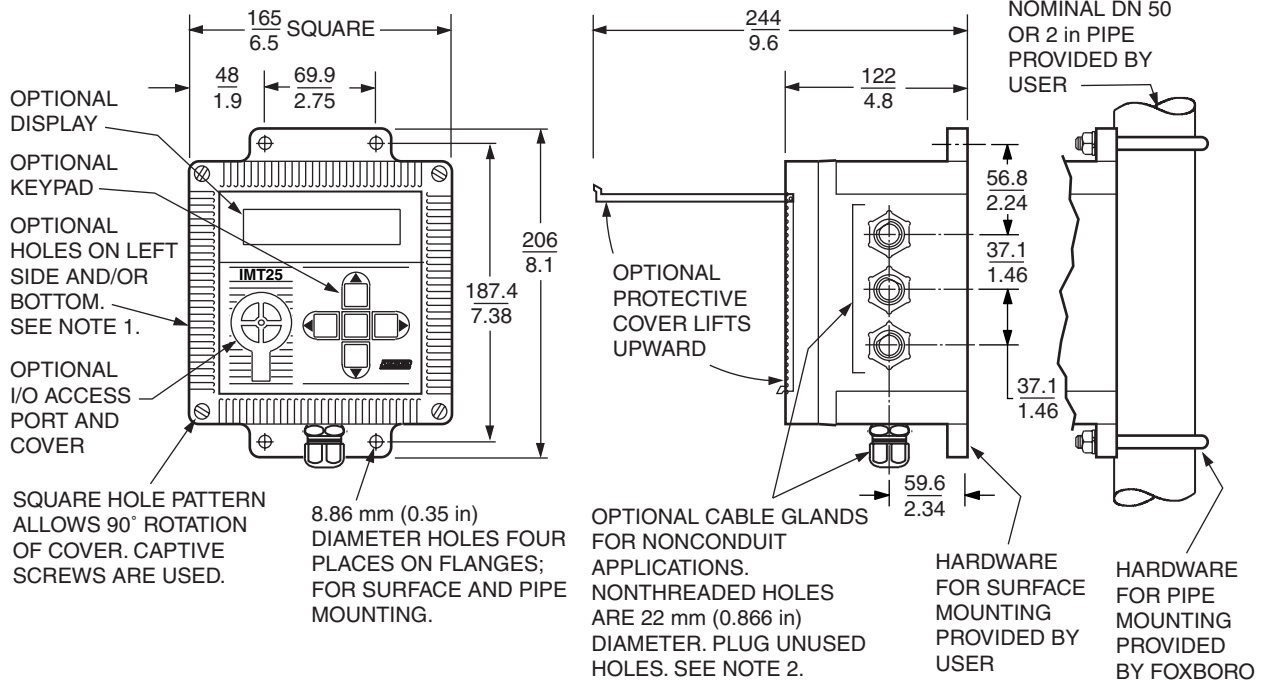


I/A Series[®] Magnetic Flow Transmitters

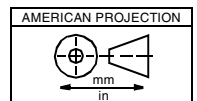
Model IMT25

(For transmitter with European intrinsically safe circuit compartment, see Page 4.)



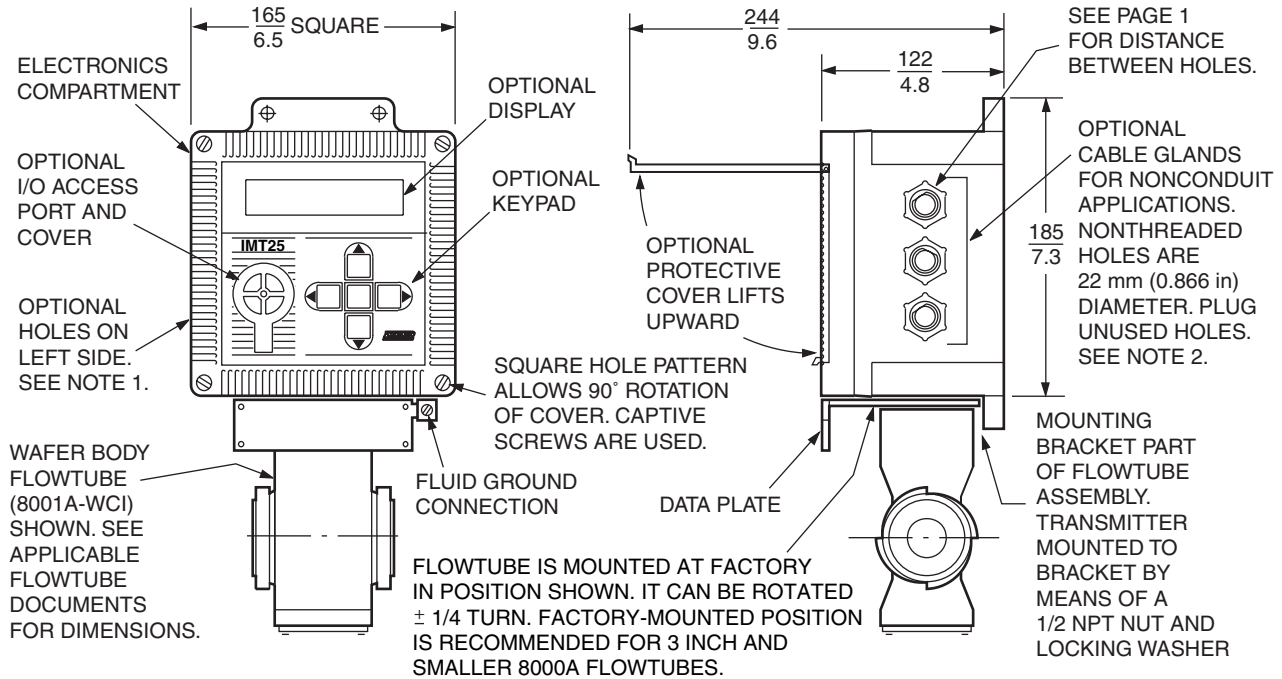
NOTES:

- FOUR HOLES ARE PROVIDED AS STANDARD FOR CONDUIT CONNECTIONS AND OPTIONAL CABLE GLANDS. OPTIONAL TWO HOLES ON LEFT SIDE AND/OR TWO HOLES ON BOTTOM MAY ALSO BE PROVIDED. SEE PAGE 5.
- PLUG UNUSED CONDUIT CONNECTIONS (OR HOLES) WITH PLUGS TO MAINTAIN NEMA 4 MOISTURE AND DUST PROTECTION (SEE THE TRANSMITTER INSTALLATION INSTRUCTIONS).
- SEE PAGES THAT FOLLOW FOR FLOWTUBE MOUNTED AND OPTIONAL DUAL COMPARTMENT TRANSMITTERS.



For dimensional information specific to your sales order, refer to Certified Dimensional Prints (CDPs) which can be ordered from your Foxboro Sales Office or authorized factory representative.

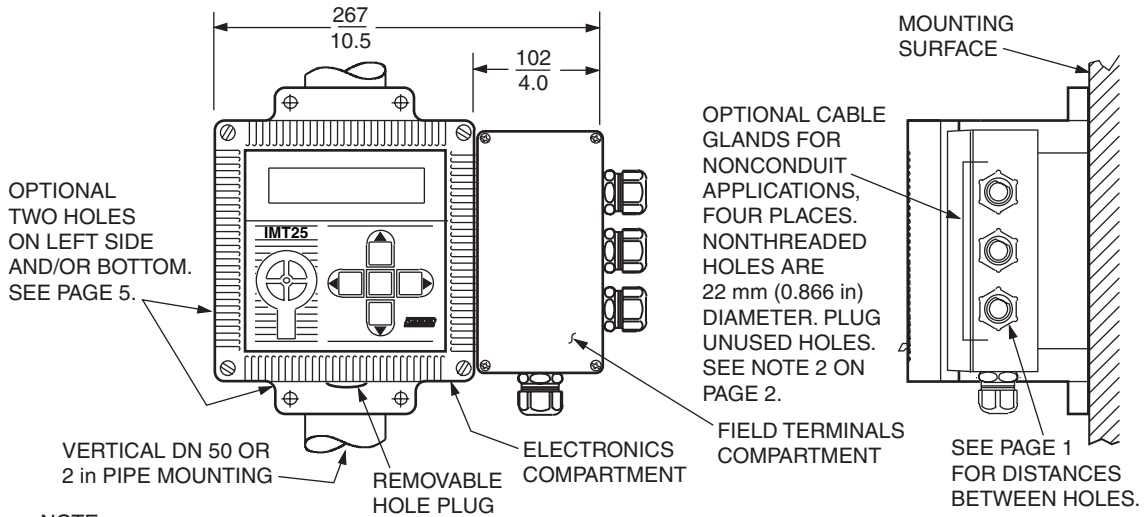
FLOWTUBE MOUNTED TRANSMITTER - SINGLE COMPARTMENT



NOTES:

1. THREE HOLES ARE PROVIDED AS STANDARD FOR CONDUIT CONNECTIONS AND OPTIONAL CABLE GLANDS. OPTIONAL TWO HOLES ON LEFT SIDE MAY ALSO BE PROVIDED. SEE PAGE 5.
2. PLUG UNUSED CONDUIT CONNECTIONS(OR HOLES) WITH PLUGS TO MAINTAIN NEMA 4 MOISTURE AND DUST PROTECTION (SEE THE TRANSMITTER INSTALLATION INSTRUCTIONS).
3. SIGNAL AND COIL DRIVE WIRING BETWEEN TRANSMITTER AND FLOWTUBE ARE PERFORMED BY FOXBORO AT THE PLANT OF MANUFACTURE.
4. SEE PAGES THAT FOLLOW FOR OPTIONAL DUAL COMPARTMENT TRANSMITTERS.

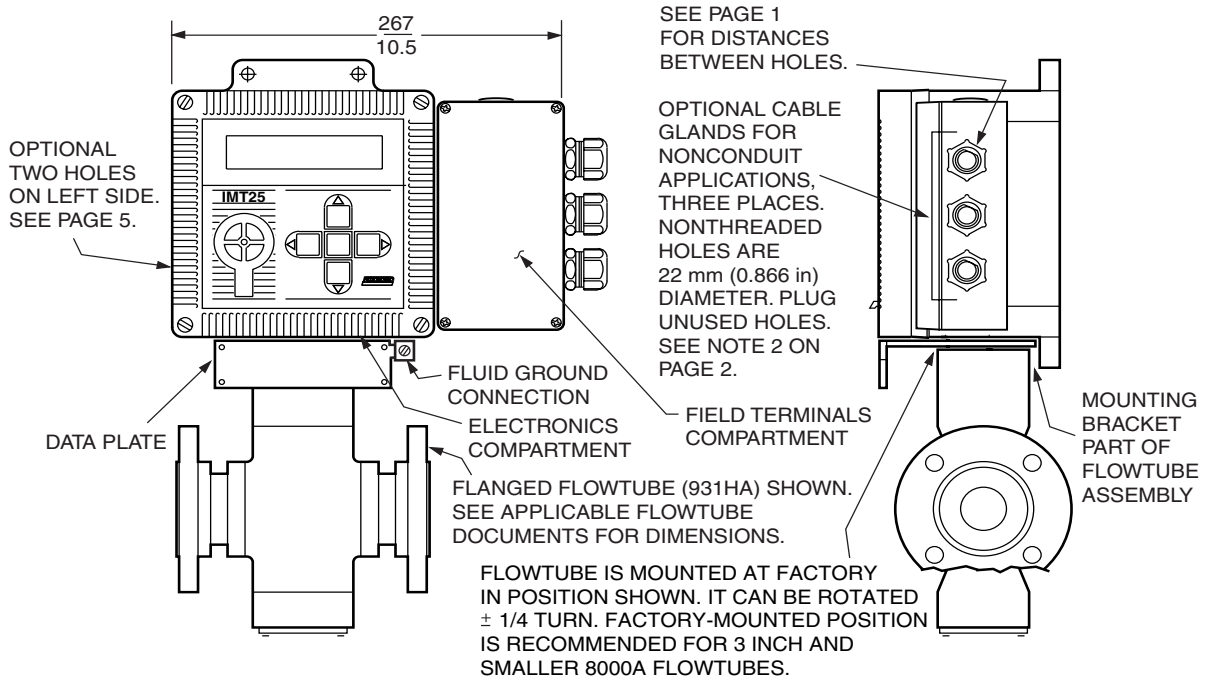
SURFACE AND PIPE MOUNTED TRANSMITTER - OPTIONAL DUAL COMPARTMENT



NOTE

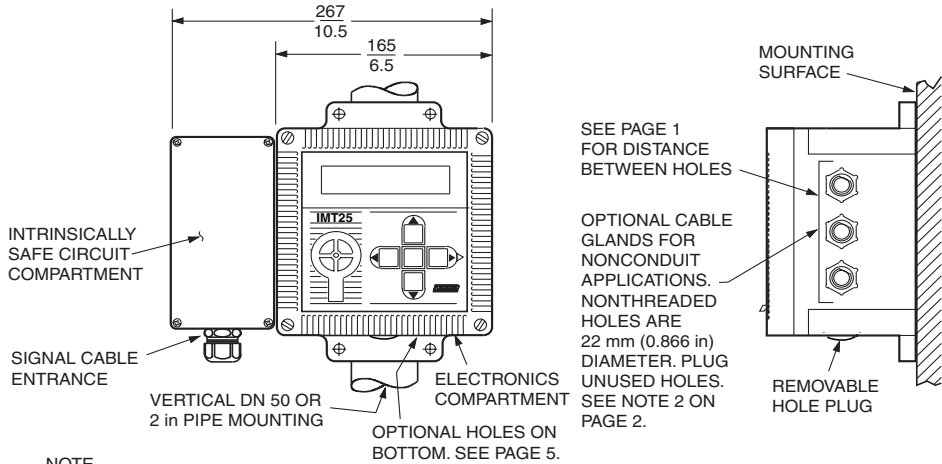
SEE PAGE 1 FOR OPTIONAL PROTECTIVE COVER, PIPE MOUNTING CONFIGURATION AND MOUNTING HARDWARE REQUIREMENTS FOR SURFACE AND PIPE MOUNTING.

FLOWTUBE MOUNTED TRANSMITTER - OPTIONAL DUAL COMPARTMENT



TRANSMITTERS WITH EUROPEAN INTRINSICALLY SAFE CIRCUIT COMPARTMENT

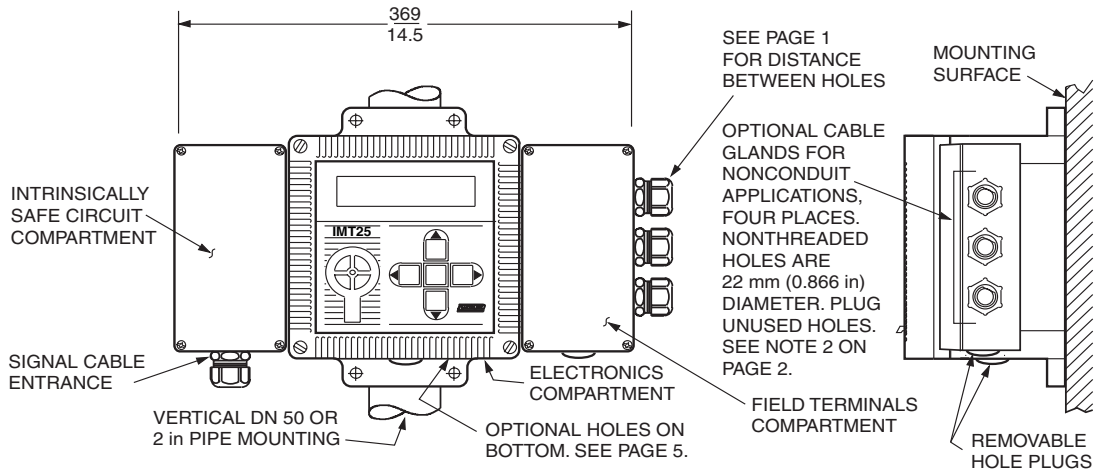
SURFACE AND PIPE MOUNTED TRANSMITTER - SINGLE COMPARTMENT



NOTE

SEE PAGE 1 FOR OPTIONAL PROTECTIVE COVER, PIPE MOUNTING CONFIGURATION AND MOUNTING HARDWARE REQUIREMENTS FOR SURFACE AND PIPE MOUNTING.

SURFACE AND PIPE MOUNTED TRANSMITTER - OPTIONAL DUAL COMPARTMENT



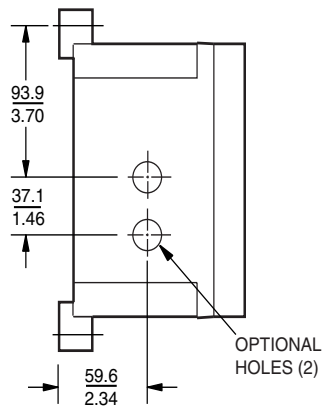
NOTE

SEE PAGE 1 FOR OPTIONAL PROTECTIVE COVER, PIPE MOUNTING CONFIGURATION AND MOUNTING HARDWARE REQUIREMENTS FOR SURFACE AND PIPE MOUNTING.

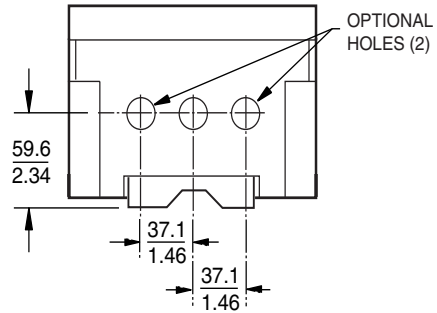
ENTRANCE HOLE OPTIONS

NOTE: Hole options apply as specified on previous pages.

LEFT SIDE OPTION



BOTTOM OPTION



The Foxboro Company
33 Commercial Street
Foxboro, MA 02035-2099
United States of America
<http://www.foxboro.com>
Inside U.S.: 1-888-FOXBORO
(1-888-369-2676)
Outside U.S.: Contact your
local Foxboro representative.
Facsimile: (508) 549-4492

Foxboro and I/A Series are registered trademarks of The Foxboro Company.
Invensys is a trademark of Invensys plc.
All other brand names may be trademarks of their respective companies.

Copyright 1996-2001 The Foxboro Company
All rights reserved