

Flowmeter Remote Mounting Kit, Installation

Kit Number: A5E01268346

Contents of Kit

One stainless steel mounting bracket with polyamide terminal box. Four polyamide cable glands.
One grounding wire.

Dimensions

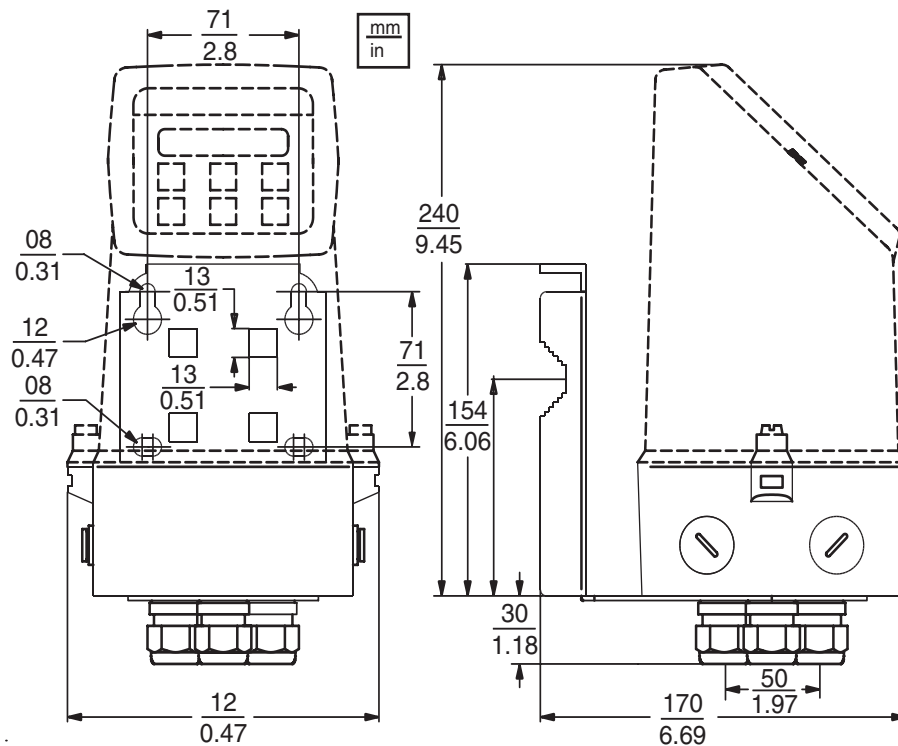
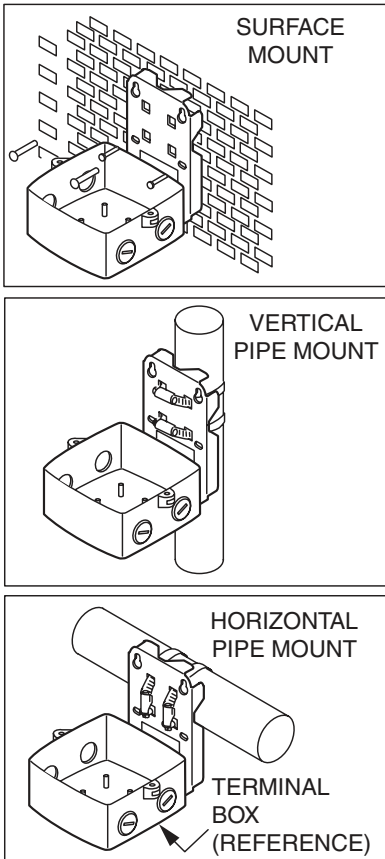


Figure 1. Dimensions

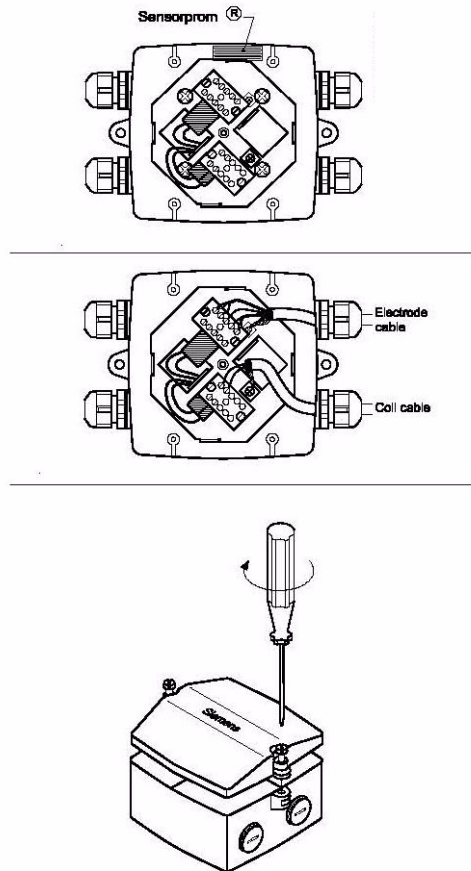
Mounting the Remote Terminal Box



Secure mounting bracket on a surface
or
on a pipe using ordinary hose clips or duct straps.

Figure 2. Remote Installation - Mounting the Remote Terminal Box

Wiring at the Flowtube



Remove the SENSORPROM unit from the flowtube and mount it on the connection plate in the transmitter.

Fit and connect the electrode and coil cables as shown in Figure 6.

The unscreened cable ends must be kept as short as possible.

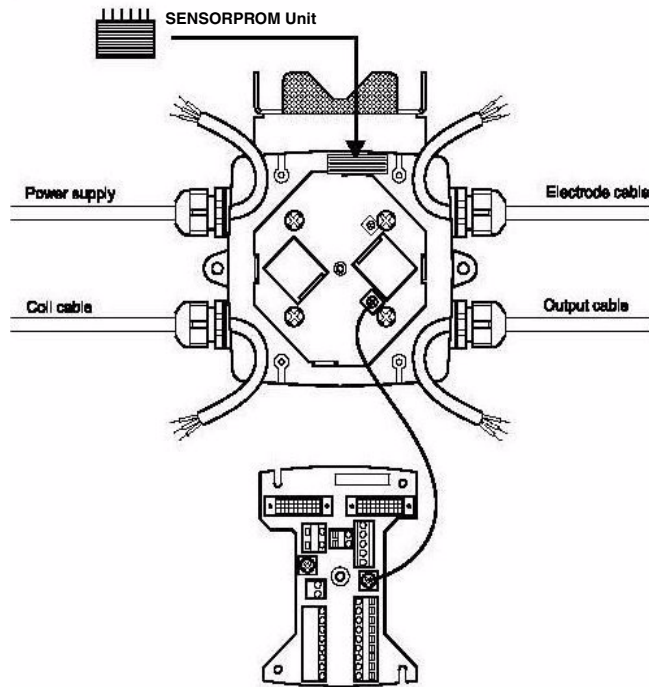
The electrode cable and the coil cable must be kept separate to prevent interference.

Tighten the cable glands well to obtain optimum sealing.

! WARNING
Mount the terminal box lid before applying power.

Figure 3. Remote Installation - Wiring at the Flowtube

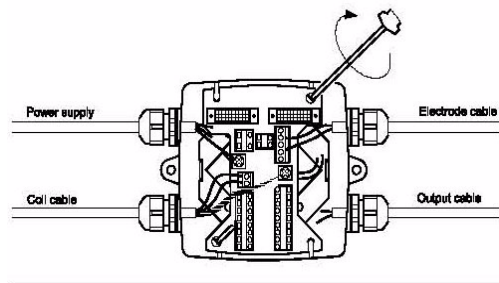
Wiring at the Remote Transmitter



Mount the SENSORPROM memory unit (that you removed from the flowtube) into the remote terminal box as shown. The text on the SENSORPROM unit must face towards the mounting bracket.

Connect an earth wire between PE on connection board and bottom of terminal box.

Figure 4. Remote Installation - Wiring at the Remote Transmitter (1 of 2)

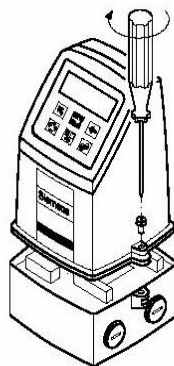


Mount the connection plate in the terminal box.

Fasten the connection plate with the two diagonally opposite screws.

Connect the coil, electrode, supply, and output cables respectively and tighten the cable glands to obtain optimum sealing. See Figure 6 for wiring connections.

Mount the transmitter on the remote terminal box.



— **! WARNING** —

1. When remote mounted, power supply PE wire must be connected to PE terminal.
2. Coil cable shield must be connected to SHIELD terminal.
3. Use the supplied insulating tube to insulate the core shield

Figure 5. Remote Installation - Wiring at the Remote Transmitter (2 of 2)

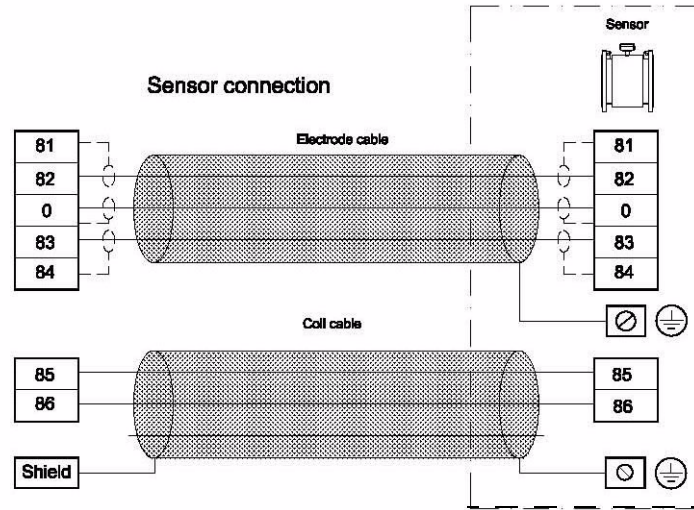


Figure 6. Electrical Connections

ISSUE DATES

MAY 2000

JAN 2004

SEP 2008

Vertical lines to the right of text or illustrations indicate areas changed at last issue date.

33 Commercial Street
Foxboro, MA 02035-2099
United States of America

<http://www.foxboro.com>
Inside U.S.: 1-866-746-6477
Outside U.S. 1-508-549-2424 or
contact your local Foxboro
Representative.
Facsimile: (508) 549-4999

Invensys and Foxboro are trademarks of Invensys plc, its subsidiaries, and affiliates.
All other brand names may be trademarks of their respective owners.

Copyright 2000-2008 by Invensys Systems, Inc.
All rights reserved

MB 100

Printed in U.S.A.

0908