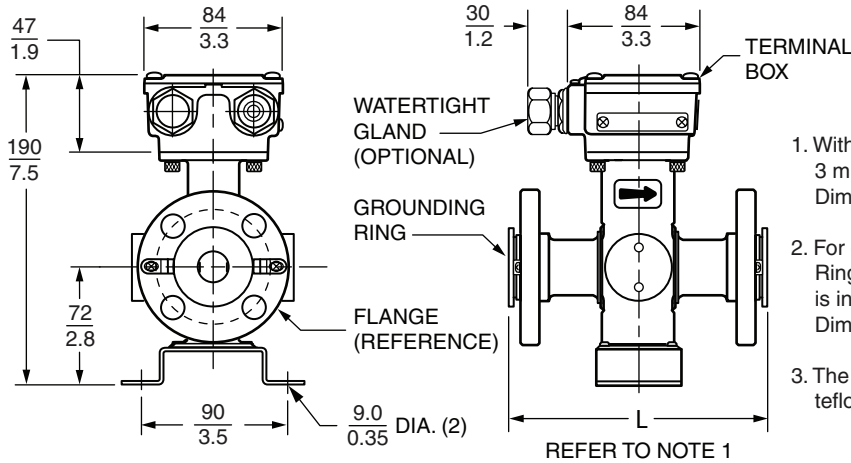


MAG2RS Remote Mounted Magnetic Flowtube

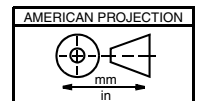
MODEL MAG2RS FLOWTUBE - FLANGED BODY - 10 and 15 mm (3/8 and 1/2 in) SIZES



NOTE

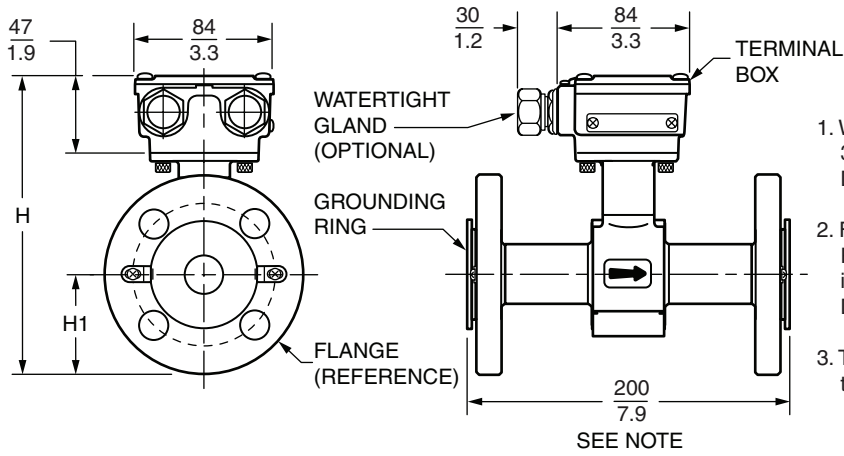
1. With 316 ss Grounding Ring, add 3 mm (0.1 in) to the Face-to-Face Dimension.
2. For other than a 316 ss Grounding Ring, the 3 mm (0.1 in) Dimension is included in the Face-to-Face Dimension.
3. The 3 mm (0.1 in) represents the teflon gasket thickness.

Nominal Line Size	Flange	Dim L	Number of Bolt Holes	Bolt Hole Dia	Bolt Circle Dia
2.5 to 10 mm (0.1 to 3/8 in)	ANSI 150	$\frac{160}{6.3}$	4	$\frac{16}{0.63}$	$\frac{60.5}{2.38}$
	ANSI 300	$\frac{160}{6.3}$		$\frac{16}{0.63}$	$\frac{66.5}{2.62}$
	DIN PN 10/16	$\frac{160}{6.3}$		$\frac{14}{0.55}$	$\frac{65.0}{2.56}$
	DIN PN 25/40	$\frac{160}{6.3}$		$\frac{14}{0.55}$	$\frac{65.0}{2.56}$
15 mm (1/2 in)	ANSI 150	$\frac{200}{7.9}$	4	$\frac{16}{0.63}$	$\frac{60.5}{2.38}$
	ANSI 300	$\frac{200}{7.9}$		$\frac{16}{0.63}$	$\frac{66.5}{2.62}$
	DIN PN 10/16	$\frac{200}{7.9}$		$\frac{14}{0.55}$	$\frac{65.0}{2.56}$
	DIN PN 25/40	$\frac{200}{7.9}$		$\frac{14}{0.55}$	$\frac{65.0}{2.56}$



For dimensional information specific to your sales order, refer to Certified Dimensional Prints (CDPs) which can be ordered from your Foxboro Sales Office or authorized factory representative.

MODEL MAG2RS FLOWTUBE - FLANGED BODY - 25 mm (1 in) SIZE

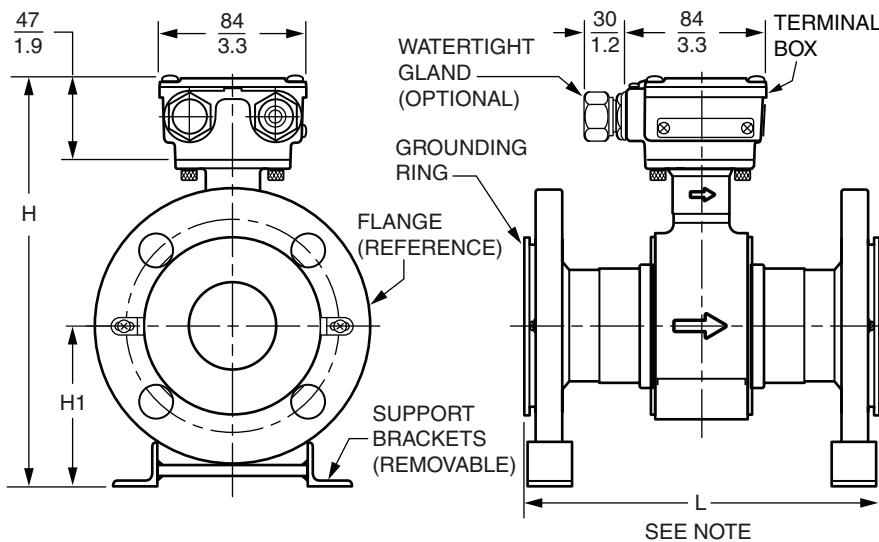


NOTE

1. With 316 ss Grounding Ring, add 3 mm (0.1 in) to the Face-to-Face Dimension.
2. For other than a 316 ss Grounding Ring, the 3 mm (0.1 in) Dimension is included in the Face-to-Face Dimension.
3. The 3 mm (0.1 in) represents the teflon gasket thickness.

Nominal Line Size	Flange	Dim H	Dim H1	Number of Bolt Holes	Bolt Hole Dia	Bolt Circle Dia
25 mm (1 in)	ANSI 150	$\frac{258}{10.2}$	$\frac{54}{2.1}$	4	$\frac{16}{0.63}$	$\frac{79}{3.1}$
	ANSI 300	$\frac{266}{10.5}$	$\frac{62}{2.4}$	4	$\frac{20}{0.79}$	$\frac{89}{3.5}$
	DIN PN 10/16	$\frac{262}{10.3}$	$\frac{58}{2.3}$	4	$\frac{14}{0.55}$	$\frac{85}{3.4}$
	DIN PN 25/40	$\frac{262}{10.3}$	$\frac{58}{2.3}$	4	$\frac{14}{0.55}$	$\frac{85}{3.4}$

MODEL MAG2RS FLOWTUBE - FLANGED BODY - 40 to 100 mm (1 1/2 to 4 in) SIZES



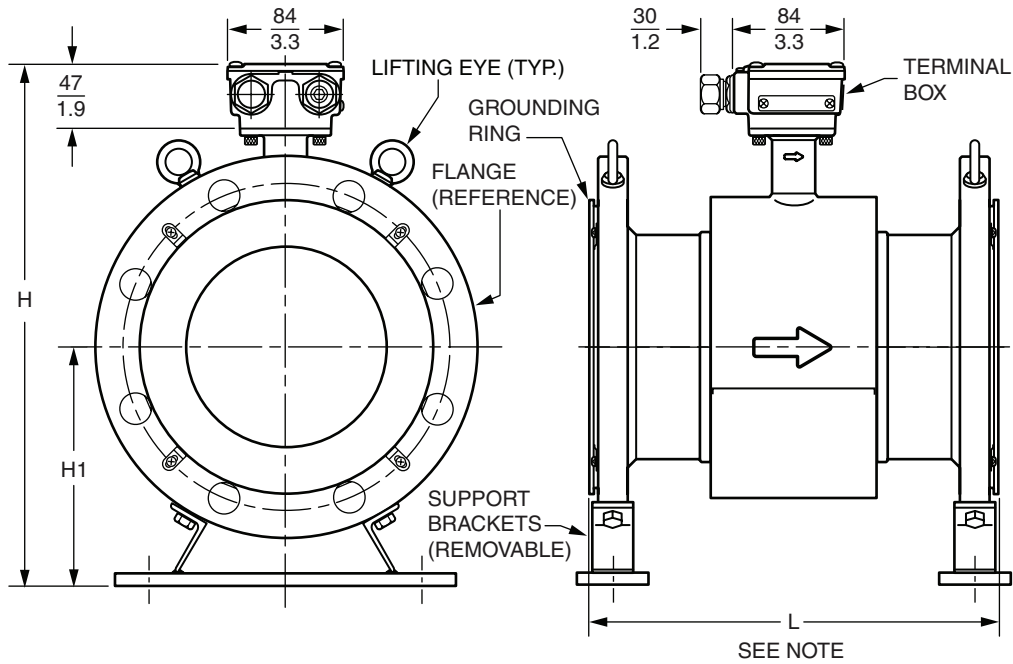
NOTE

1. With 316 ss Grounding Ring, add 3 mm (0.1 in) to the Face-to-Face Dimension.
2. For other than a 316 ss Grounding Ring, the 3 mm (0.1 in) Dimension is included in the Face-to-Face Dimension.
3. The 3 mm (0.1 in) represents the teflon gasket thickness.

Nominal Line Size	Flange	Dim L	DIM H	DIM H1	Number of Bolt Holes	Bolt Hole Dia	Bolt Circle Dia
40 mm (1 1/2 in)	ANSI 150	$\frac{200}{7.9}$	$\frac{288}{11.3}$	$\frac{77}{3.0}$	4	$\frac{16}{0.63}$	$\frac{99}{3.9}$
	ANSI 300	$\frac{200}{7.9}$	$\frac{305}{12.0}$	$\frac{94}{3.7}$	4	$\frac{23}{0.91}$	$\frac{114}{4.5}$
	DIN PN 10/16	$\frac{200}{7.9}$	$\frac{302}{11.9}$	$\frac{91}{3.6}$	4	$\frac{18}{0.71}$	$\frac{110}{4.3}$
	DIN PN 25/40	$\frac{200}{7.9}$	$\frac{302}{11.9}$	$\frac{91}{3.6}$	4	$\frac{18}{0.71}$	$\frac{110}{4.3}$
50 mm (2 in)	ANSI 150	$\frac{200}{7.9}$	$\frac{308}{12.1}$	$\frac{88}{3.5}$	4	$\frac{20}{0.79}$	$\frac{121}{4.8}$
	ANSI 300	$\frac{200}{7.9}$	$\frac{316}{12.4}$	$\frac{96}{3.8}$	8	$\frac{20}{0.79}$	$\frac{127}{5.0}$
	DIN PN 10/16	$\frac{200}{7.9}$	$\frac{316}{12.4}$	$\frac{96}{3.8}$	4	$\frac{18}{0.71}$	$\frac{125}{4.9}$
	DIN PN 25/40	$\frac{200}{7.9}$	$\frac{316}{12.4}$	$\frac{96}{3.8}$	4	$\frac{18}{0.71}$	$\frac{125}{4.9}$
65 mm (2 1/2 in)	ANSI 150	$\frac{200}{7.9}$	$\frac{330}{13.0}$	$\frac{103}{4.1}$	4	$\frac{20}{0.79}$	$\frac{140}{5.5}$
	ANSI 300	$\frac{200}{7.9}$	$\frac{338}{13.3}$	$\frac{111}{4.4}$	8	$\frac{23}{0.91}$	$\frac{149}{5.9}$
	DIN PN 10/16	$\frac{200}{7.9}$	$\frac{334}{13.2}$	$\frac{107}{4.2}$	4	$\frac{18}{0.71}$	$\frac{145}{5.7}$
	DIN PN 25/40	$\frac{200}{7.9}$	$\frac{334}{13.2}$	$\frac{107}{4.2}$	8	$\frac{18}{0.71}$	$\frac{145}{5.7}$

Nominal Line Size	Flange	Dim L	DIM H	DIM H1	Number of Bolt Holes	Bolt Hole Dia	Bolt Circle Dia
80 mm (3 in)	ANSI 150	$\frac{200}{7.9}$	$\frac{346}{13.6}$	$\frac{113}{4.5}$	4	$\frac{20}{0.79}$	$\frac{152}{6.0}$
	ANSI 300	$\frac{200}{7.9}$	$\frac{359}{14.1}$	$\frac{124}{4.9}$	8	$\frac{23}{0.91}$	$\frac{168}{6.6}$
	DIN PN 10/16	$\frac{200}{7.9}$	$\frac{354}{13.9}$	$\frac{119}{4.7}$	8	$\frac{18}{0.71}$	$\frac{160}{6.3}$
	DIN PN 25/40	$\frac{200}{7.9}$	$\frac{354}{13.9}$	$\frac{119}{4.7}$	8	$\frac{18}{0.71}$	$\frac{160}{6.3}$
100 mm (4 in)	ANSI 150	$\frac{250}{9.8}$	$\frac{379}{14.9}$	$\frac{131}{5.2}$	8	$\frac{200}{7.9}$	$\frac{191}{7.5}$
	ANSI 300	$\frac{250}{9.8}$	$\frac{393}{15.5}$	$\frac{145}{5.7}$	8	$\frac{23}{0.91}$	$\frac{200}{7.9}$
	DIN PN 10/16	$\frac{250}{9.8}$	$\frac{374}{14.7}$	$\frac{126}{5.0}$	8	$\frac{18}{0.71}$	$\frac{180}{7.1}$
	DIN PN 25/40	$\frac{250}{9.8}$	$\frac{382}{15.0}$	$\frac{134}{5.3}$	8	$\frac{22}{0.87}$	$\frac{190}{7.5}$

MODEL MAG2RS FLOWTUBE - FLANGED BODY - 150 and 200 mm (6 and 8 in) SIZES

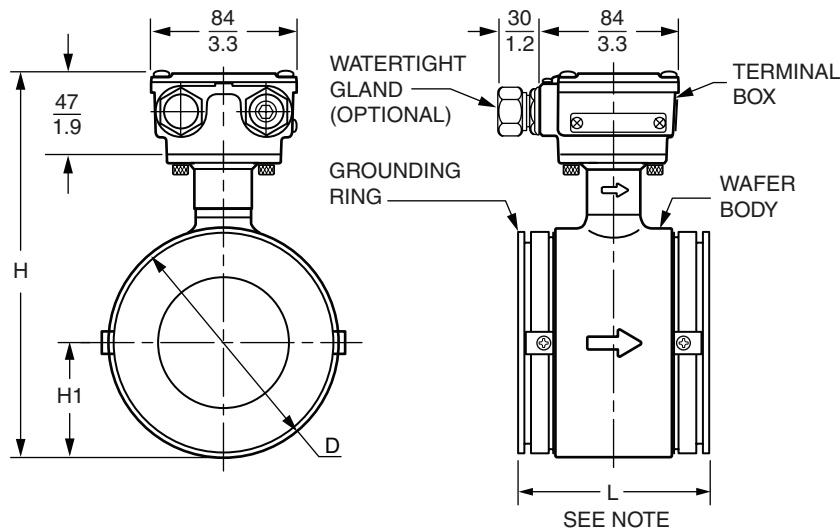


NOTE

1. With 316 ss Grounding Ring, add 3 mm (0.1 in) to the Face-to-Face Dimension.
2. For other than a 316 ss Grounding Ring, the 3 mm (0.1 in) Dimension is included in the Face-to-Face Dimension
3. The 3 mm (0.1 in) represents the teflon gasket thickness

Nominal Line Size	Flange	Dim L	DIM H	DIM H1	Number of Bolt Holes	Bolt Hole Dia	Bolt Circle Dia
150 mm (6 in)	ANSI 150	$\frac{300}{11.8}$	$\frac{461}{18.2}$	$\frac{174}{6.9}$	8	$\frac{23}{0.91}$	$\frac{241}{9.5}$
	ANSI 300	$\frac{300}{11.8}$	$\frac{483}{19.0}$	$\frac{196}{7.7}$	12	$\frac{23}{0.91}$	$\frac{270}{10.6}$
	DIN PN 10/16	$\frac{300}{11.8}$	$\frac{465}{18.3}$	$\frac{178}{7.0}$	8	$\frac{22}{0.87}$	$\frac{240}{9.5}$
	DIN PN 25/40	$\frac{300}{11.8}$	$\frac{473}{18.6}$	$\frac{186}{7.3}$	8	$\frac{26}{1.02}$	$\frac{250}{9.8}$
200 mm (8 in)	ANSI 150	$\frac{350}{13.8}$	$\frac{516}{20.3}$	$\frac{204}{8.0}$	8	$\frac{23}{0.91}$	$\frac{298}{11.8}$
	ANSI 300	$\frac{350}{13.8}$	$\frac{537}{21.1}$	$\frac{225}{8.9}$	12	$\frac{26}{1.02}$	$\frac{330}{13.0}$
	DIN PN 10	$\frac{350}{13.8}$	$\frac{514}{20.2}$	$\frac{202}{8.0}$	8	$\frac{22}{0.87}$	$\frac{295}{11.6}$
	DIN PN16	$\frac{350}{13.8}$	$\frac{514}{20.2}$	$\frac{202}{8.0}$	12	$\frac{22}{0.87}$	$\frac{295}{11.6}$
	DIN PN 25	$\frac{350}{13.8}$	$\frac{526}{20.7}$	$\frac{214}{8.4}$	12	$\frac{26}{1.02}$	$\frac{310}{12.2}$
	DIN PN 40	$\frac{350}{13.8}$	$\frac{534}{21.0}$	$\frac{222}{8.7}$	12	$\frac{30}{1.18}$	$\frac{320}{12.6}$

MODEL MAG2RS FLOWTUBE - WAFER BODY - 25 to 100 mm (1 to 4 in) SIZES



NOTE

1. With 316 ss Grounding Ring, add 3 mm (0.1 in) to the Face-to-Face Dimension.
2. For other than a 316 ss Grounding Ring, the 3 mm (0.1 in) Dimension is included in the Face-to-Face Dimension.
3. The 3 mm (0.1 in) represents the teflon gasket thickness.

Nominal Flowtube Size	Dimension			
	L	H	H1	D
25 mm (1 in)	$\frac{94}{3.7}$	$\frac{238}{9.4}$	$\frac{34}{1.3}$	$\frac{68}{2.7}$
40 mm (1 1/2 in)	$\frac{80}{3.1}$	$\frac{255}{10.0}$	$\frac{44}{1.7}$	$\frac{87}{3.4}$
50 mm (2 in)	$\frac{86}{3.4}$	$\frac{272}{10.7}$	$\frac{52}{2.00}$	$\frac{104}{4.1}$
65 mm (2 1/2 in)	$\frac{96}{3.8}$	$\frac{289}{11.4}$	$\frac{62}{2.4}$	$\frac{124}{4.9}$
80 mm (3 in)	$\frac{106}{4.2}$	$\frac{302}{11.9}$	$\frac{67}{2.6}$	$\frac{134}{5.3}$
100 mm (4 in)	$\frac{120}{4.7}$	$\frac{327}{12.9}$	$\frac{80}{3.1}$	$\frac{159}{6.3}$

IPS Corporate Headquarters
 5601 Granite Parkway Suite 1000
 Plano, TX 75024
 www.ips.invensys.com

Foxboro Global Client Support
 Inside U.S.: 1-866-746-6477
 Outside U.S.: 1-508-549-2424 or
 contact your local Foxboro
 representative.
 Facsimile: 1-508-549-4999

Invensys and Foxboro are trademarks of Invensys plc, its subsidiaries, and affiliates.
 All other brand names may be trademarks of their respective owners.

Copyright 2008 Invensys Systems, Inc.
 All rights reserved

