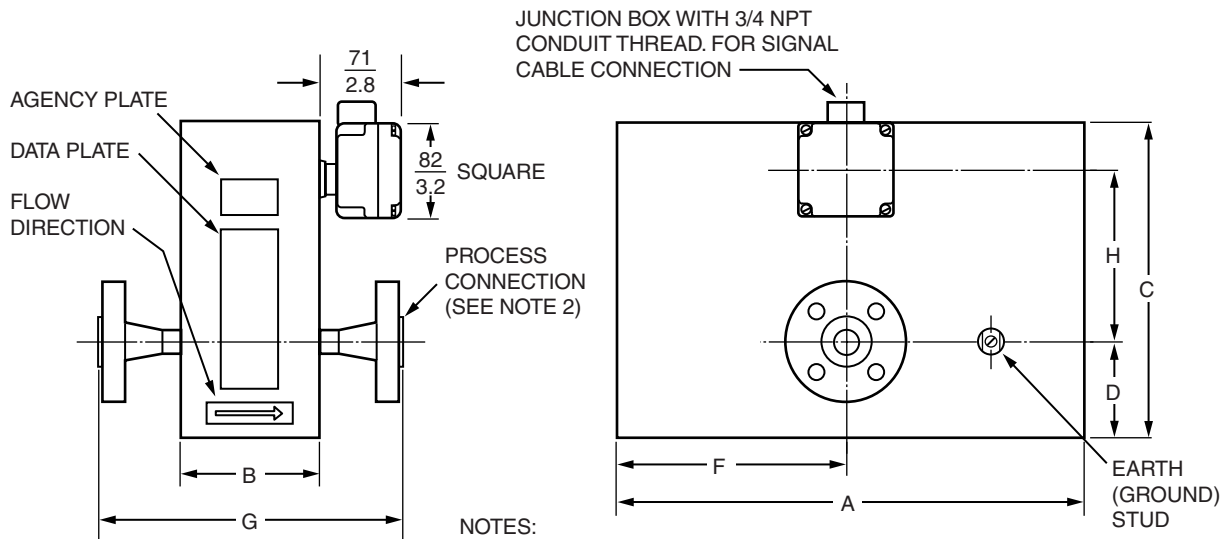


I/A Series[®] Mass Flowmeters Model CFS20 Mass Flowtubes Style B

FLANGED END FLOWTUBES



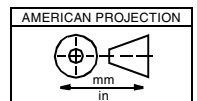
- NOTES:
1. SEE PAGE 2 FOR FLOWTUBE AND FLANGE DIMENSIONAL DATA.
2. SEE PAGE 3 FOR THREADED AND SANITARY END CONNECTIONS.

APPROXIMATE MASS FLANGED FLOWTUBES

NOMINAL LINE SIZE		APPROXIMATE MASS(a)	
mm	in	kg	lb
40	1 1/2	24	53
80	3	111	244

(a)With ANSI Class 150 flanges.

FLOWTUBE AND FLANGE DIMENSIONAL DATA



For dimensional information specific to your sales order, refer to Certified Dimensional Prints (CDPs) which can be ordered from your Foxboro Sales Office or authorized factory representative.

Bolt Hole Quantity and Bolt Diameter for ANSI and DIN Flanges

NOMINAL FLOWTUBE SIZE	ANSI 150		ANSI 300		ANSI 600		PN40		PN100	
	BOLT HOLES	BOLT DIA.	BOLT HOLES	BOLT DIA.	BOLT HOLES	BOLT DIA.	BOLT HOLES	BOLT DIA.	BOLT HOLES	BOLT DIA.
40 mm (1 1/2 in)	4	1/2 in	4	3/4 in	4	3/4 in	4	M12	4	M18
80 mm (3 in)	4	5/8 in	8	3/4 in	8	3/4 in	8	M16	8	M20

Raised Face to Raised Face Dimensions for ANSI and DIN Flanges

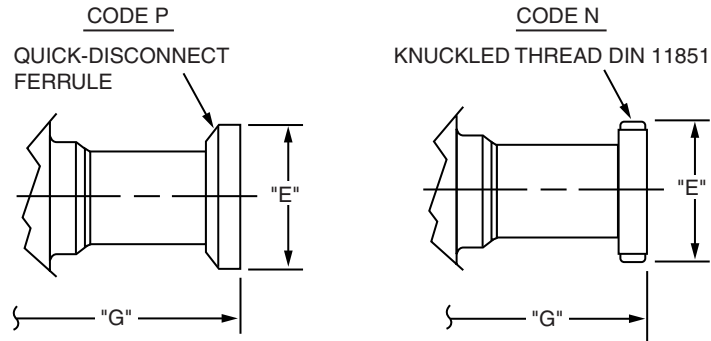
NOMINAL FLOWTUBE SIZE	DIMENSION "G" FOR FLANGE TYPE				
	ANSI CLASS 150	ANSI CLASS 300	ANSI CLASS 600	PN40	PN100
40 mm (1 1/2 in)	$\frac{356}{14.0}$	$\frac{369}{14.50}$	$\frac{372}{14.62}$	$\frac{369}{14.50}$	$\frac{372}{14.62}$
80 mm (3 in)	$\frac{509}{20.04}$	$\frac{528}{20.78}$	$\frac{547}{21.54}$	$\frac{528}{20.78}$	$\frac{573}{22.54}$

Flowtube Dimensional Data

NOMINAL FLOWTUBE SIZE	OTHER FLOWTUBE DIMENSIONS					
	DIMENSION "A"	DIMENSION "B"	DIMENSION "C"	DIMENSION "D"	DIMENSION "F"	DIMENSION "H"
40 mm (1 1/2 in)	$\frac{518}{20.4}$	$\frac{163}{6.4}$	$\frac{391}{15.4}$	$\frac{121.4}{4.78}$	$\frac{259}{10.2}$	$\frac{227}{8.9}$
80 mm (3 in)	$\frac{808}{31.8}$	$\frac{282}{11.1}$	$\frac{516}{20.3}$	$\frac{149.9}{5.90}$	$\frac{404}{15.9}$	$\frac{298}{11.8}$

NOTE: SEE PAGE 3 FOR SANITARY END CONNECTIONS.

SANITARY END CONNECTIONS



NOMINAL FLOWTUB E SIZE	DIMENSION "E" AND "G" FOR THE FOLLOWING END CONNECTION CODES (a)				APPROXIMATE MASS(b)	
	CODE N		CODE P		kg	lb
	"G"	"E"	"G"	"E"		
80 mm (3 in)	$\frac{497}{19.6}$	$\frac{110}{4.33}$	$\frac{433}{17.0}$	$\frac{91}{3.58}$	99	219

- (a) Dimension "G" is face-to-face distance between end connections.
 Code "N" mates with DIN coupling with external thread, DIN 11851.
 Code "P" mates with quick-disconnect ferrule.
 (b) Approximate Mass is with end connection Code "P".

33 Commercial Street
Foxboro, MA 02035-2099
United States of America
www.foxboro.com
Inside U.S.: 1-866-PHON-IPS
(1-866-746-6477)
Outside U.S.: 1-508-549-2424
or contact your local Foxboro
representative.
Facsimile: 1-508-549-4999

Foxboro and I/A Series are registered trademarks of Invensys Systems, Inc.
Invensys is a trademark of Invensys plc.
All other brand names may be trademarks of their respective companies.

Copyright 1997-2002 Invensys Systems, Inc.
All rights reserved

MB 190

Printed in U.S.A

0802