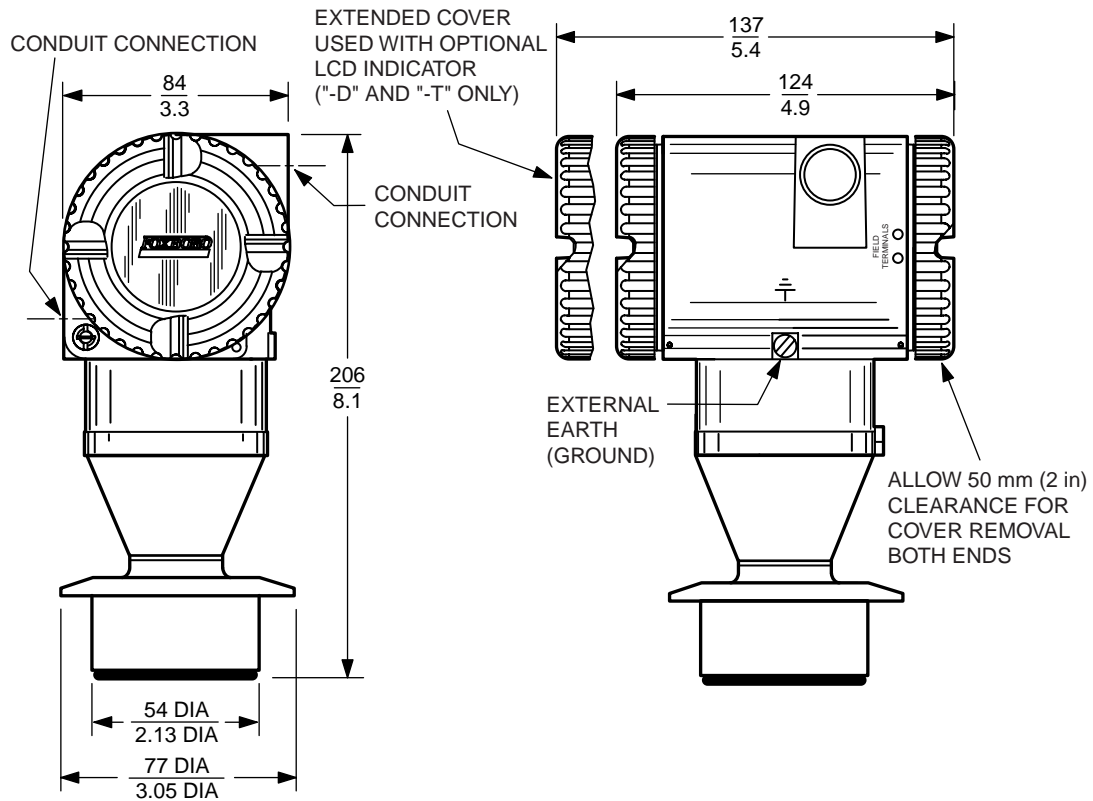


I/A Series[®] Sanitary Gauge Pressure/Level Transmitters with Mini Tank Spud

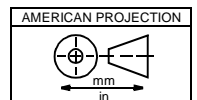
Part Numbers N1212GA, GB, GC, GD, GE, and GF

GENERAL NOTES COMMON TO ELECTRONICS HOUSING (TOPWORKS) OF ALL TRANSMITTERS

1. REPLACEABLE/INTERCHANGEABLE ELECTRONICS MODULE DETERMINES THE ELECTRONICS VERSION AND OUTPUT SIGNAL.
2. TOPWORKS CAN BE ROTATED TO ANY POSITION WITHIN ONE TURN COUNTERCLOCKWISE OF THE FULLY TIGHTENED POSITION.
3. CONDUIT CONNECTIONS (TWO) ARE 1/2 NPT. PLUG UNUSED CONNECTION WITH METAL PLUG SUPPLIED BY FOXBORO.
4. PROCESS CONNECTION IS 2 1/2-inch Tri-Clamp.



For dimensional information specific to your sales order, refer to Certified Dimensional Prints (CDPs) which can be ordered from your Foxboro Sales Office or authorized factory representative.



The Foxboro Company
33 Commercial Street
Foxboro, MA 02035-2099
United States of America
<http://www.foxboro.com>
Inside U.S.: 1-888-FOXBORO
(1-888-369-2676)
Outside U.S.: Contact your
local Foxboro Representative.
Facsimile: (508) 549-4492

Foxboro and I/A Series are registered trademarks of The Foxboro Company.
Tri-Clamp is a trademark of Ladish Company.

Copyright 1999 by The Foxboro Company
All rights reserved