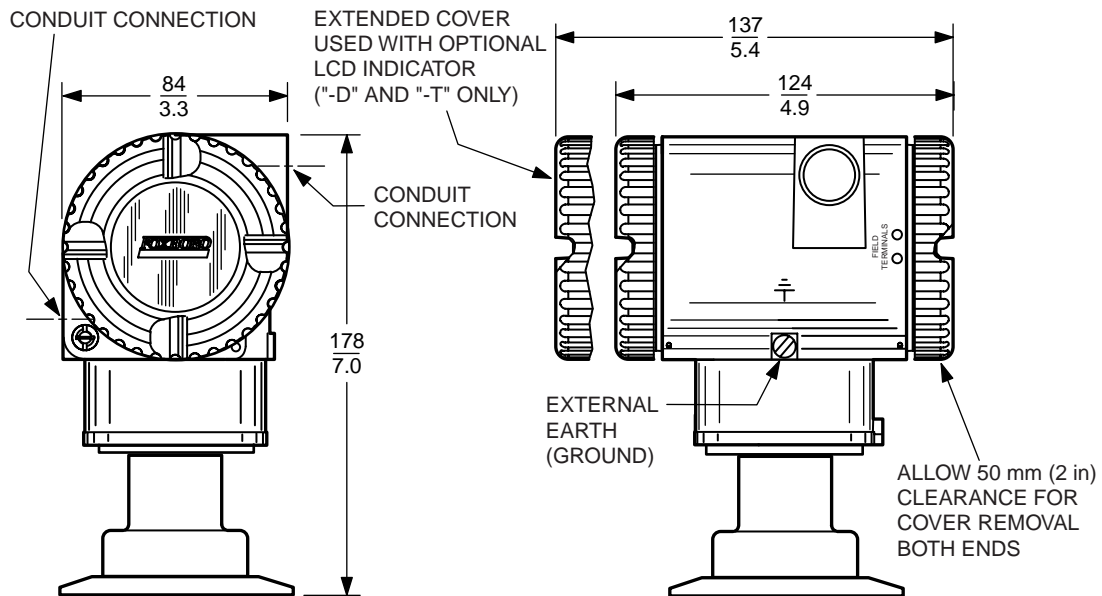


# I/A Series<sup>®</sup> Sanitary Gauge Pressure/Level Transmitters with 3-inch Tri-Clamp Process Connection

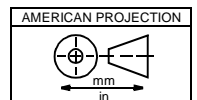
Part Numbers N1212BB, BD, BG, BJ, BM, BP, BR, BU, and BX

GENERAL NOTES COMMON TO ELECTRONICS HOUSING (TOPWORKS) OF ALL TRANSMITTERS

1. REPLACEABLE/INTERCHANGEABLE ELECTRONICS MODULE DETERMINES THE ELECTRONICS VERSION AND OUTPUT SIGNAL.
2. TOPWORKS CAN BE ROTATED TO ANY POSITION WITHIN ONE TURN COUNTERCLOCKWISE OF THE FULLY TIGHTENED POSITION.
3. CONDUIT CONNECTIONS (TWO) ARE 1/2 NPT ON N1212BB, BD, BG, BJ, BM, AND BP; AND M20 ON N1212BR, BU, AND BX. PLUG UNUSED CONNECTION WITH METAL PLUG SUPPLIED BY FOXBORO.



For dimensional information specific to your sales order, refer to Certified Dimensional Prints (CDPs) which can be ordered from your Foxboro Sales Office or authorized factory representative.



**The Foxboro Company**  
33 Commercial Street  
Foxboro, MA 02035-2099  
United States of America  
<http://www.foxboro.com>  
Inside U.S.: 1-888-FOXBORO  
(1-888-369-2676)  
Outside U.S.: Contact your  
local Foxboro Representative.  
Facsimile: (508) 549-4492

Foxboro and I/A Series are registered trademarks of The Foxboro Company.  
Tri-Clamp is a trademark of Ladish Company.

Copyright 1999 by The Foxboro Company  
All rights reserved