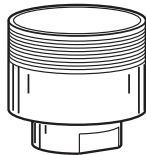
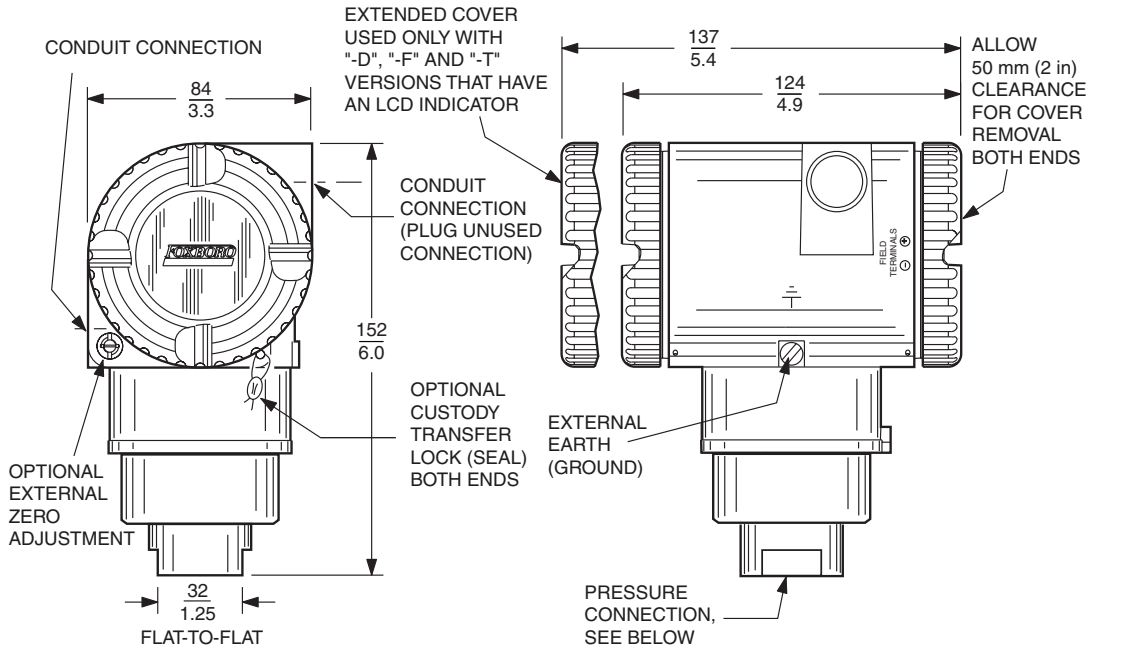


# I/A Series® Pressure Transmitters

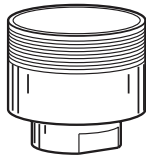
## Model IGP10 for High Gauge Pressure Measurement

### GENERAL NOTES

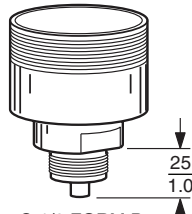
1. REPLACEABLE/INTERCHANGEABLE ELECTRONICS MODULE DETERMINES THE ELECTRONICS VERSION AND OUTPUT SIGNAL.
2. TOPWORKS CAN BE ROTATED TO ANY POSITION WITHIN ONE TURN COUNTERCLOCKWISE OF THE FULLY TIGHTENED POSITION.
3. CONDUIT CONNECTIONS (TWO) ARE EITHER 1/2 NPT, M20, OR PG 13.5. PLUG UNUSED CONNECTION WITH METAL PLUG SUPPLIED BY FOXBORO.



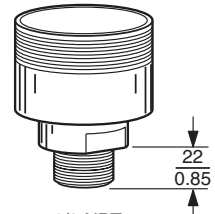
1/4 NPT  
INTERNAL THREAD  
PROCESS CONNECTION  
STANDARD WITH SPAN  
LIMIT CODES K AND G;  
NOT AVAILABLE WITH  
SPAN LIMIT CODE H.



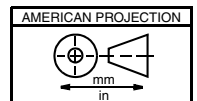
AUTOCLAVE F-250-C  
INTERNAL  
PROCESS CONNECTION  
STANDARD WITH SPAN  
LIMIT CODE H; OPTIONAL  
(CODE -G1) WITH SPAN  
LIMIT CODES K AND G.



G 1/2 FORM B  
EXTERNAL THREAD  
PROCESS CONNECTION  
OPTIONAL (CODE -G) WITH  
SPAN LIMIT CODES K AND  
G; NOT AVAILABLE WITH  
SPAN LIMIT CODE H.

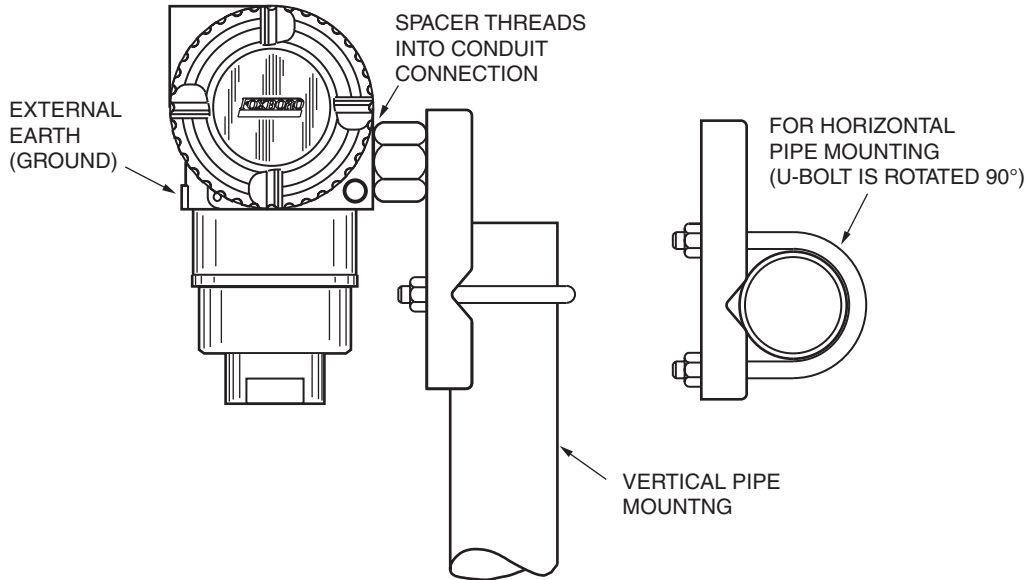


1/2 NPT  
EXTERNAL THREAD  
PROCESS CONNECTION  
OPTIONAL (CODE -G2)  
WITH SPAN LIMIT CODES  
K AND G; NOT AVAILABLE  
WITH SPAN LIMIT CODE H.

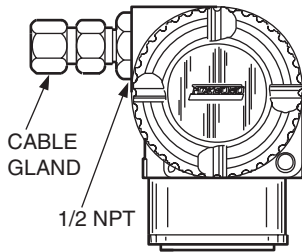


For dimensional information specific to your sales order, refer to Certified Dimensional Prints (CDPs) which can be ordered from your Foxboro Sales Office or authorized factory representative.

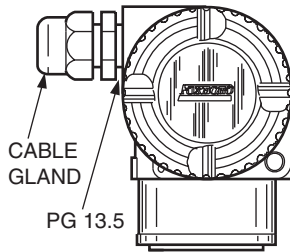
OPTIONAL MOUNTING BRACKET SET (-M1 THROUGH -M6)



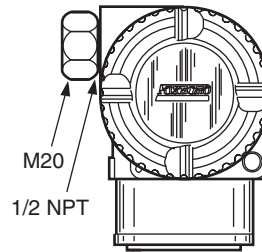
OPTION -A1  
HAWKE-TYPE CABLE  
GLAND (1/2 NPT)



OPTION -A2  
NYLON CABLE  
GLAND (PG 13.5)



OPTION -A3  
M20 CONDUIT  
CONNECTION (1/2 NPT)



OPTION -A4  
BRASS CABLE  
GLAND (PG 13.5)

