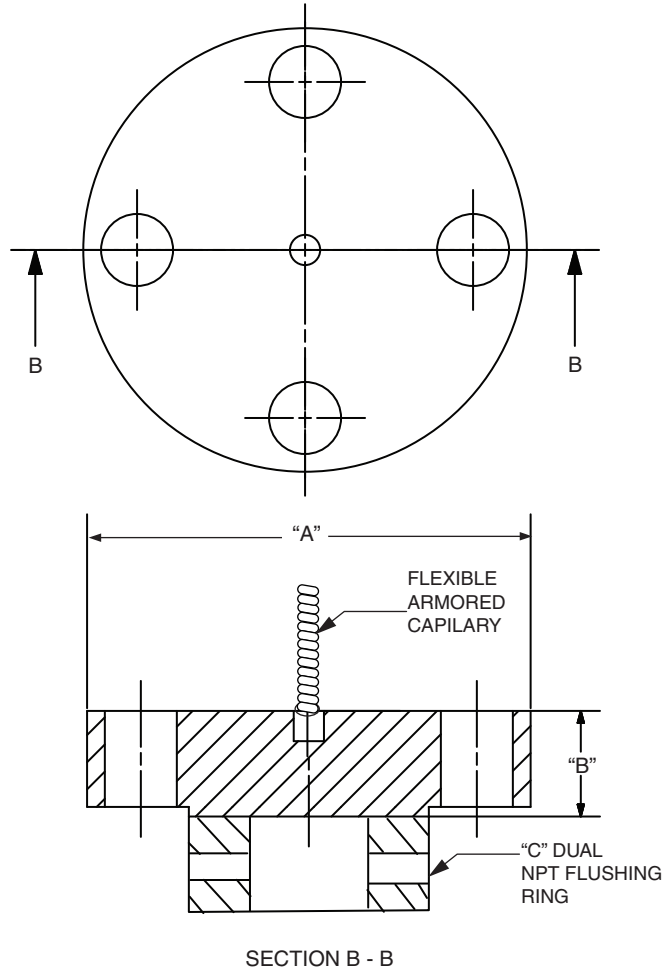


Flanged Flush Mounted Remote Seals

Model PSFFR

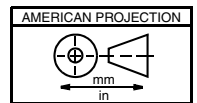
For use with I/A Series Pressure Transmitters

Flange Rating and Material Model Selections Codes E, F, G, and H (316 ss)



NOTES:

- 1. Flexible Armor available lengths from 5 ft (1.5 m) to 50 ft (15.0 m)
- 2. See Tables 1 and 2 on next page for dimensions "A", "B", and "C"
- 3. 4-Hole Bolt Configuration shown see Bolt Hole Configuration on Page 4.



For dimensional information specific to your sales order, refer to Certified Dimensional Prints (CDPs) which can be ordered from your Foxboro Sales Office or authorized factory representative.

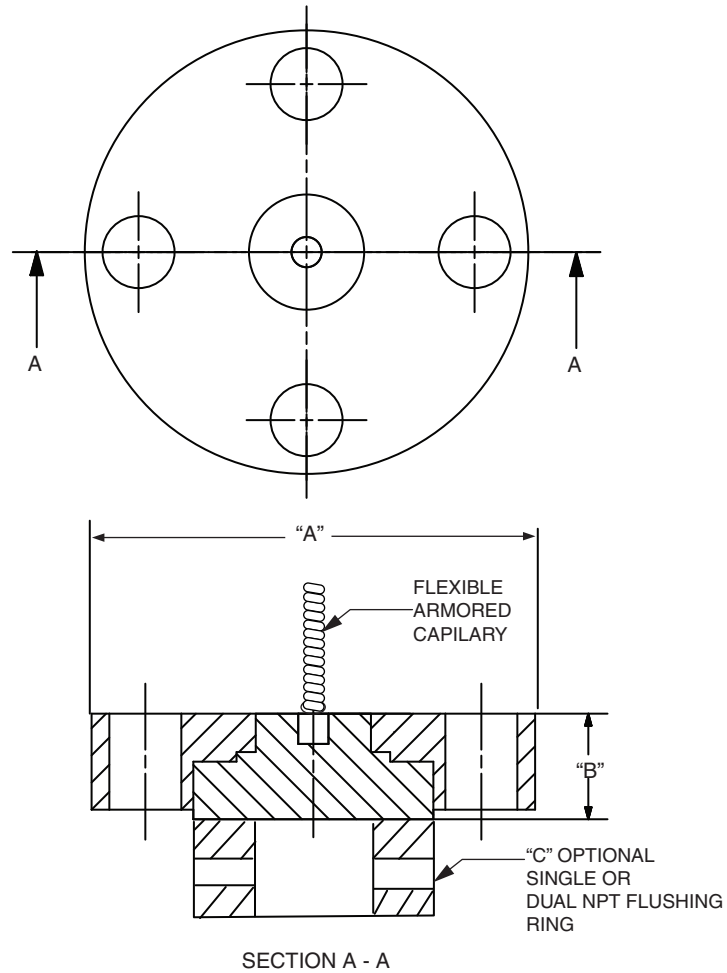
Table 1. Dimensional Data Model Selections Codes E, F, G, and H (316 ss)

Nominal Flange Size	Flange Pressure Rating	Diaphragm Diameter	Number of Bolt Holes	Bolt Hole Dia.	Bolt Circle Dia.	Dim A	Dim. B
2 in (50 mm)	Class 150	2.4	4	<u>19</u> 0.75	<u>121</u> 4.75	<u>152</u> 6.0	<u>19</u> 0.75
	Class 300		8	<u>19</u> 0.75	<u>127</u> 5.00	<u>165</u> 6.50	<u>22</u> 0.88
	Class 600		8	<u>19</u> 0.75	<u>127</u> 5.00	<u>165</u> 6.50	<u>31.75</u> 1.25
3 in (80 mm)	Class 150	3.5	4	<u>19</u> 0.75	<u>152</u> 6.00	<u>190.5</u> 7.50	<u>23.87</u> 0.94
	Class 300		8	<u>22</u> 0.88	<u>168</u> 6.62	<u>209.55</u> 8.25	<u>28.45</u> 1.12
	Class 600		8	<u>22</u> 0.88	<u>168</u> 6.62	<u>209.55</u> 8.25	<u>38</u> 1.50
4 in (100 mm)	Class 150	3.5	8	<u>19</u> 0.75	<u>190.5</u> 7.50	<u>228.6</u> 9.0	<u>23.87</u> 0.94
	Class 300		8	<u>22</u> 0.88	<u>200</u> 7.88	<u>254</u> 10.0	<u>31.75</u> 1.25
	Class 600		8	<u>25</u> 1.00	<u>216</u> 8.50	<u>273</u> 10.75	<u>44.45</u> 1.75
DN50 (50 mm)	PN 10/40	2.4	4	<u>18</u> 0.71	<u>125</u> 4.92	<u>165</u> 6.50	<u>19.81</u> 0.78
DN80 (80 mm)	PN 10/40	3.5	8	<u>18</u> 0.71	<u>160</u> 6.30	<u>199.89</u> 7.87	<u>23.87</u> 0.94
DN100 (100 mm)	PN 10/40	3.5	8	<u>22</u> 0.87	<u>190</u> 7.48	<u>234.95</u> 9.25	<u>23.87</u> 0.94

Table 2. Optional Flushing Ring Dimension "C"

Raised Face Flange	Material	NPT Flushing Connections	Dim. C (Flushing Ring)		
			I.D.	O.D.	Height
2 in (50 mm)	316 ss	1/4 NPT	<u>52.58</u>	<u>92</u>	<u>25.0</u>
	Hastelloy C	1/4 NPT	2.07	3.62	1.00
	316 ss	1/2 NPT	<u>52.58</u>	<u>92</u>	<u>38.1</u>
	Hastelloy C	1/2 NPT	2.07	3.62	1.50
	316 ss	1/4 NPT (Dual)	<u>52.58</u>	<u>92</u>	<u>25.0</u>
	Hastelloy C	1/4 NPT (Dual)	2.07	3.62	1.00
3 in (80 mm)	316 ss	1/2 NPT (Dual)	<u>52.58</u>	<u>92</u>	<u>38.1</u>
	Hastelloy C	1/2 NPT (Dual)	2.07	3.62	1.50
	316 ss	1/4 NPT	<u>76.2</u>	<u>127</u>	<u>25.0</u>
	Hastelloy C	1/4 NPT	3.0	5.0	1.00
	316 ss	1/2 NPT	<u>76.2</u>	<u>127</u>	<u>38.1</u>
	Hastelloy C	1/2 NPT	3.0	5.0	1.50
4 in (100 mm)	316 ss	1/4 NPT (Dual)	<u>76.2</u>	<u>127</u>	<u>25.0</u>
	Hastelloy C	1/4 NPT (Dual)	3.0	5.0	1.00
	316 ss	1/2 NPT (Dual)	<u>76.2</u>	<u>127</u>	<u>38.1</u>
	Hastelloy C	1/2 NPT (Dual)	3.0	5.0	1.50
	316 ss	1/4 NPT	<u>102.3</u>	<u>157</u>	<u>25.0</u>
	Hastelloy C	1/4 NPT	4.03	6.19	1.00
4 in (100 mm)	316 ss	1/2 NPT	<u>102.3</u>	<u>157</u>	<u>38.1</u>
	Hastelloy C	1/2 NPT	4.03	6.19	1.50
	316 ss	1/4 NPT (Dual)	<u>102.3</u>	<u>157</u>	<u>25.0</u>
	Hastelloy C	1/4 NPT (Dual)	4.03	6.19	1.00
	316 ss	1/2 NPT (Dual)	<u>102.3</u>	<u>157</u>	<u>38.1</u>
	Hastelloy C	1/2 NPT (Dual)	4.03	6.19	1.50

Flange Rating and Material Model Selections Codes 1, 2, 3, and A (Carbon Steel)



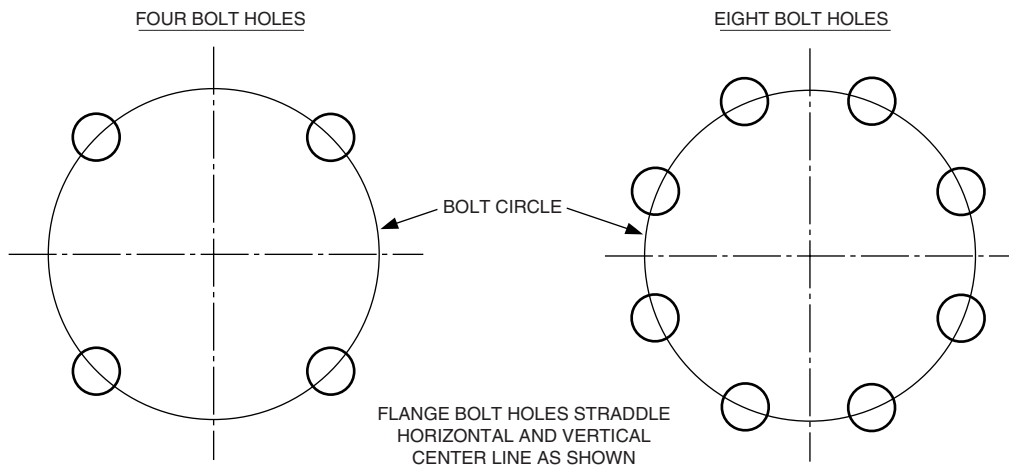
NOTES:

1. Flexible Armor available lengths from 5 ft (1.5 m) to 50 ft (15.0 m)
2. See Table 3 on next page for dimensions "A", "B", and Table 2 for dimension "C"
3. 4-Hole Bolt Configuration shown see Bolt Hole Configuration on Page 4

Table 3. Dimensional Data Model Selections Codes 1, 2, 3, and A (Carbon Steel)

Nominal Flange Size	Flange Pressure Rating	Diaphragm Diameter	Number of Bolt Holes	Bolt Hole Dia.	Bolt Circle Dia.	Dim A	Dim. B
2 in (50 mm)	Class 150	2.4	4	<u>19</u> 0.75	<u>121</u> 4.75	<u>152</u> 6.0	<u>30.23</u> 1.19
	Class 300		8	<u>19</u> 0.75	<u>127</u> 5.00	<u>165</u> 6.50	<u>33.53</u> 1.32
	Class 600		8	<u>19</u> 0.75	<u>127</u> 5.00	<u>165</u> 6.50	<u>38.1</u> 1.50
3 in (80 mm)	Class 150	3.5	4	<u>19</u> 0.75	<u>152</u> 6.00	<u>190.5</u> 7.50	<u>24.64</u> 0.97
	Class 300		8	<u>22</u> 0.88	<u>168</u> 6.62	<u>209.55</u> 8.25	<u>29.21</u> 1.15
	Class 600		8	<u>22</u> 0.88	<u>168</u> 6.62	<u>209.55</u> 8.25	<u>38</u> 1.50
4 in (100 mm)	Class 150	3.5	8	<u>19</u> 0.75	<u>190.5</u> 7.50	<u>228.6</u> 9.0	<u>35.05</u> 1.38
	Class 300		8	<u>22</u> 0.88	<u>200</u> 7.88	<u>254</u> 10.0	<u>42.93</u> 1.69
	Class 600		8	<u>25</u> 1.00	<u>216</u> 8.50	<u>273</u> 10.75	<u>50</u> 2.00
DN50 (50 mm)	PN 10/40	2.4	4	<u>18</u> 0.71	<u>125</u> 4.92	<u>165</u> 6.50	<u>32.51</u> 1.28
DN80 (80 mm)	PN 10/40	3.5	8	<u>18</u> 0.71	<u>160</u> 6.30	<u>199.89</u> 7.87	<u>33.53</u> 1.32
DN100 (100 mm)	PN 10/40	3.5	8	<u>22</u> 0.87	<u>190</u> 7.48	<u>234.95</u> 9.25	<u>33.53</u> 1.32

FLANGE BOLT HOLE CONFIGURATIONS



Invensys Operations Management
5601 Granite Parkway Suite 1000
Plano, TX 75024
www.iom.invensys.com

Global Client Support
Inside U.S.: 1-866-746-6477
Outside U.S.: 1-508-549-2424 or contact
your local Foxboro representative.
Website: <http://support.ips.invensys.com>

Invensys, Foxboro, and I/A Series are trademarks of Invensys plc, its subsidiaries, and affiliates.
All other brand names may be trademarks of their respective owners.

Copyright 2012 Invensys Systems, Inc.
All rights reserved