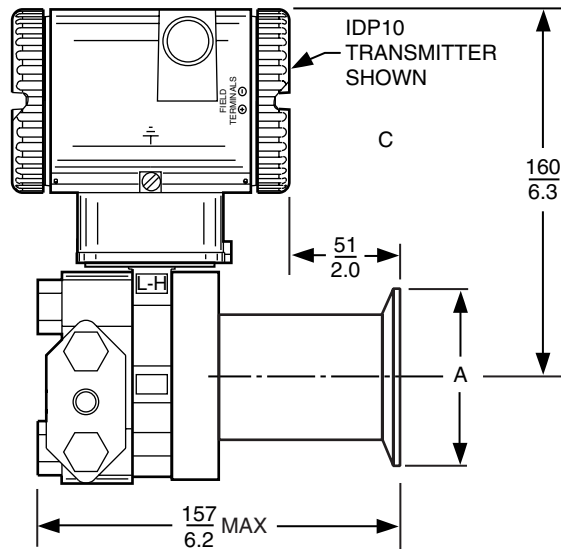


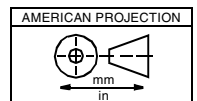
**PSSCT Direct-Mounted Pressure Seals
for Sanitary Process Connection
For use with I/A Series® Pressure Transmitters
Models IDP10 and IGP20**

(For transmitter dimensions, refer to the transmitter Dimensional Print.)



PRESSURE SEAL DIMENSIONS

Nominal Pipe Size	Dimensions A
2-in Pipe	63.5 mm (2.50 in)
3-in Pipe	90.9 mm (3.58 in)



For dimensional information specific to your sales order, refer to Certified Dimensional Prints (CDPs) which can be ordered from your Foxboro Sales Office or authorized factory representative.

33 Commercial Street
Foxboro, MA 02035-2099
United States of America
www.foxboro.com
Inside U.S.: 1-866-746-6477
Outside U.S.: 1-508-549-2424
or contact your local Foxboro
representative.
Facsimile: 1-508-549-4999

Invensys, Foxboro, and I/A Series are trademarks of Invensys plc, its subsidiaries, and affiliates.
All other brand names may be trademarks of their respective owners.

Copyright 2003 Invensys Systems, Inc.
All rights reserved

MB 190

Printed in U.S.A

0403