

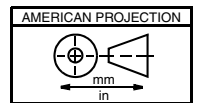
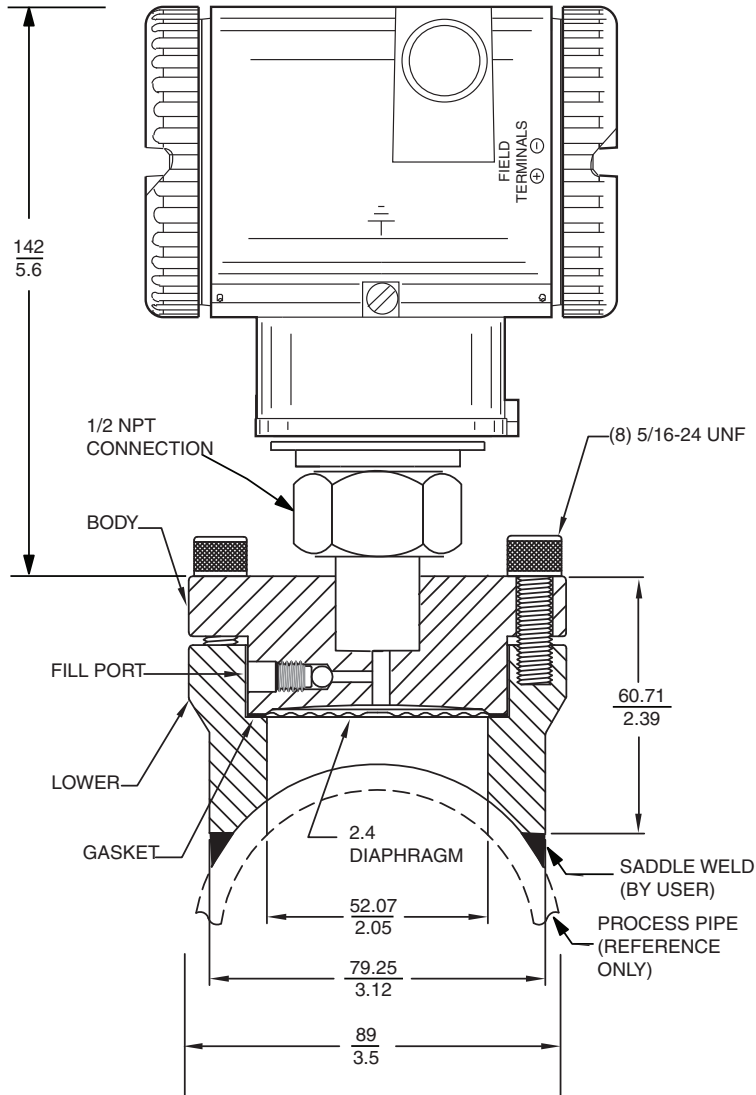
Transmitter-Mounted Pressure Seals for In-Line, Saddle-Welded Process Connection

Model PSISD

For use with I/A Series® Pressure Transmitter Models IAP10 and IGP10

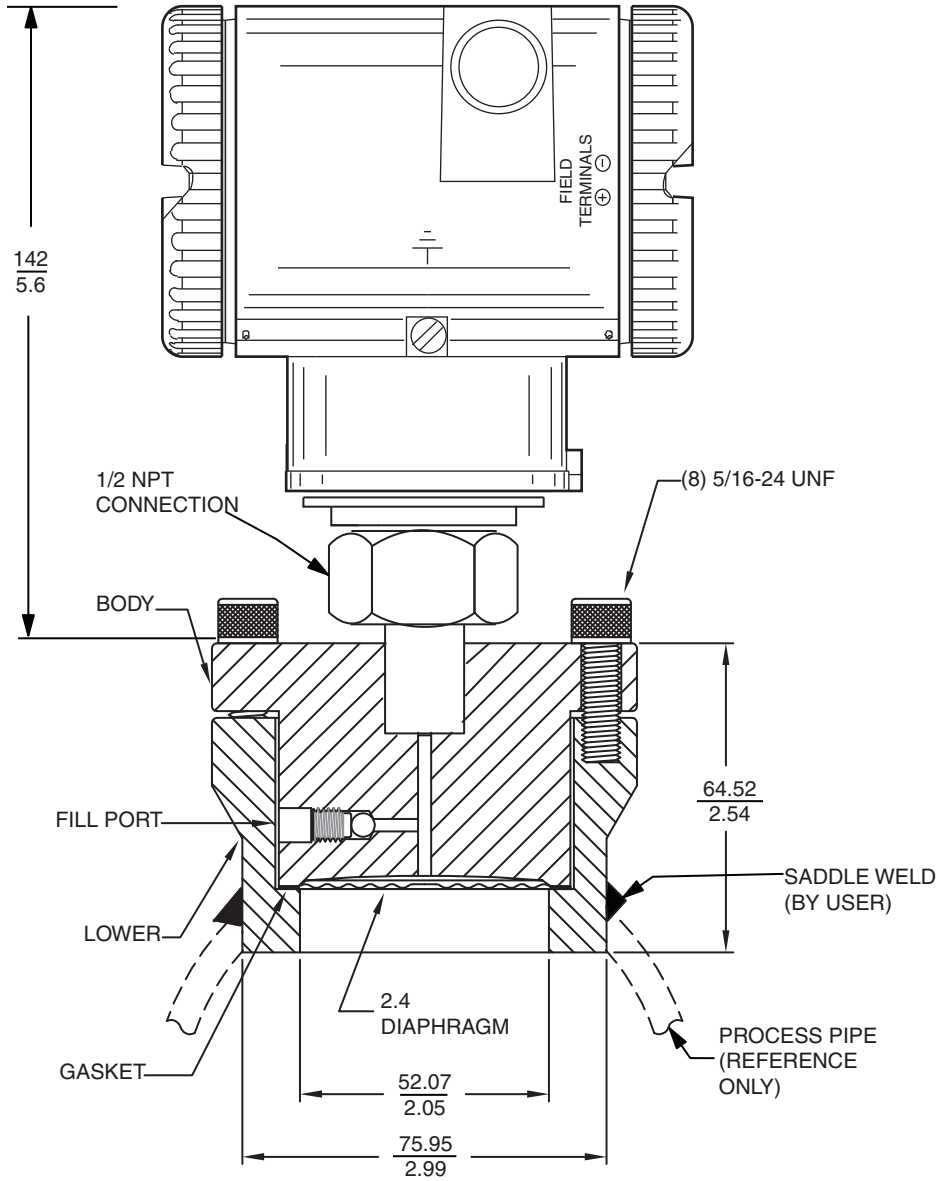
(For transmitter dimensions, refer to the transmitter Dimensional Print.)

PROCESS CONNECTOR CODE 3
(FOR 3-INCH PIPE)



For dimensional information specific to your sales order, refer to Certified Dimensional Prints (CDPs) which can be ordered from your Foxboro Sales Office or authorized factory representative.

PROCESS CONNECTOR CODE 4
(FOR 4-INCH PIPE)



Invensys Operations Management
5601 Granite Parkway Suite 1000
Plano, TX 75024
www.iom.invensys.com

Global Client Support
Inside U.S.: 1-866-746-6477
Outside U.S.: 1-508-549-2424 or contact
your local Foxboro representative.
Website: <http://support.ips.invensys.com>

Invensys, Foxboro, and I/A Series are trademarks of Invensys plc, its subsidiaries, and affiliates. All other brand names may be trademarks of their respective owners.

Copyright 2001-2012 Invensys Systems, Inc.
All rights reserved