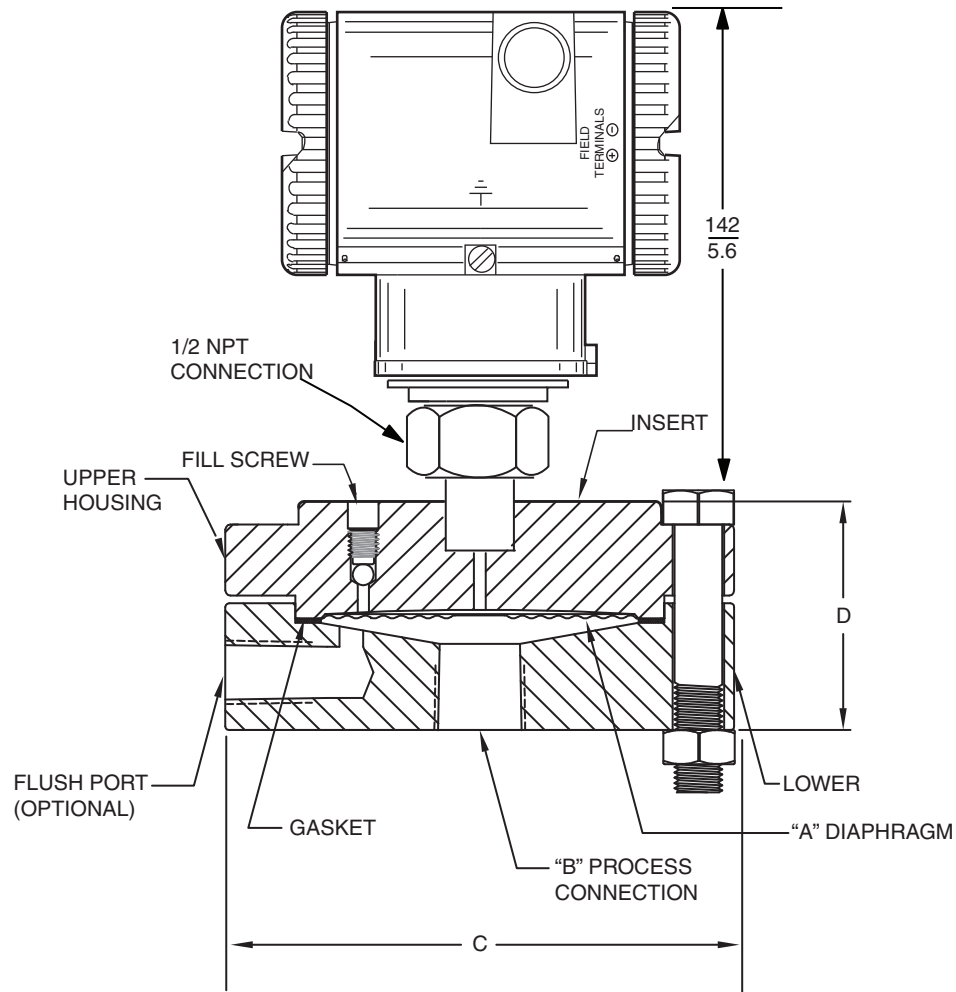


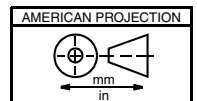
# Transmitter-Mounted Pressure Seals with Threaded Process Connection

## Model PSTAD

For use with I/A Series® Pressure Transmitter  
Models IDP10, IAP10, IGP10, IAP20, and IGP20



**See Table on Page 2 for Dimensions A, B, C, and D**



For dimensional information specific to your sales order, refer to Certified Dimensional Prints (CDPs) which can be ordered from your Foxboro Sales Office or authorized factory representative.

Diaphragm Size "A"	Process Connection "B" NPT	Overall Diameter "C"	Height "D" No Flush Port	Height "D" 1/4 NPT Flush Port	Height "D" 1/2 NPT Flush Port
2.4 in	1/4 in	<u>88.9</u> 3.5	<u>48.77</u> 1.92	<u>48.77</u> 1.92	<u>61.47</u> 2.42
	1/2 in				
	3/4 in	<u>88.9</u> 3.5	<u>48.77</u> 1.92	<u>48.77</u> 1.92	<u>61.47</u> 2.42
	1 in	<u>88.9</u> 3.5	<u>48.26</u> 1.9	<u>48.26</u> 1.9	<u>60.96</u> 2.4
	1.25 in				
	1.5 in	<u>88.9</u> 3.5	<u>53.34</u> 2.1	<u>53.34</u> 2.1	<u>60.96</u> 2.4
2.9 in	1/4 in	<u>102</u> 4.0	<u>47.24</u> 1.86	<u>47.24</u> 1.86	<u>61.98</u> 2.44
	1/2 in				
	3/4 in	<u>102</u> 4.0	<u>47.24</u> 1.86	<u>47.24</u> 1.86	<u>61.47</u> 2.42
	1 in	<u>102</u> 4.0	<u>48.26</u> 1.9	<u>48.26</u> 1.9	<u>60.96</u> 2.4
	1.25 in				
	1.5 in	<u>102</u> 4.0	<u>53.34</u> 2.1	<u>60.96</u> 2.4	<u>60.96</u> 2.4
	2 in				
4.1	1/4 in	<u>133.35</u> 5.25	<u>50</u> 2.0	<u>50</u> 2.0	<u>59.69</u> 2.35
	1/2 in				
	3/4 in				
	1 in	<u>132</u> 5.2	<u>50</u> 2.0	<u>50</u> 2.0	<u>60.96</u> 2.4
	1.25 in				
	1.50 in	<u>132</u> 5.2	<u>53.34</u> 2.1	<u>53.34</u> 2.1	<u>60.96</u> 2.4
	2				

Invensys Operations Management  
 5601 Granite Parkway Suite 1000  
 Plano, TX 75024  
[www.iom.invensys.com](http://www.iom.invensys.com)

Global Client Support  
 Inside U.S.: 1-866-746-6477  
 Outside U.S.: 1-508-549-2424 or contact  
 your local Foxboro representative.  
 Website: <http://support.ips.invensys.com>

Invensys, Foxboro, and I/A Series are trademarks of Invensys plc, its subsidiaries, and affiliates.  
 All other brand names may be trademarks of their respective owners.

Copyright 2001-2012 Invensys Systems, Inc.  
 All rights reserved