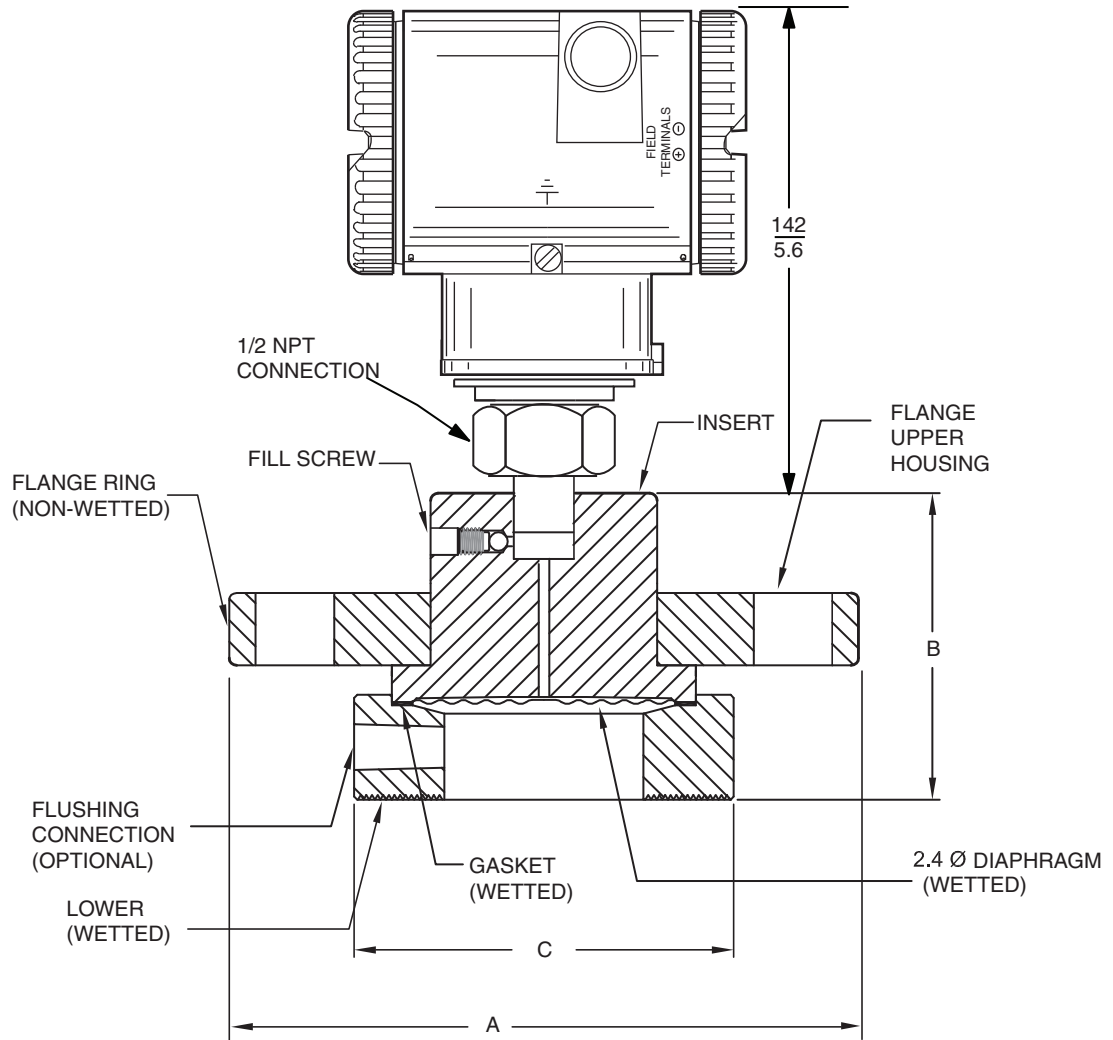


Transmitter-Mounted Pressure Seals with Flanged Process Connection

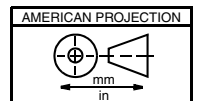
Model PSFAD

For use with I/A Series® Pressure Transmitter
Models IAP10 and IGP10

Bolt Mounting Construction 2.4 Diaphragm



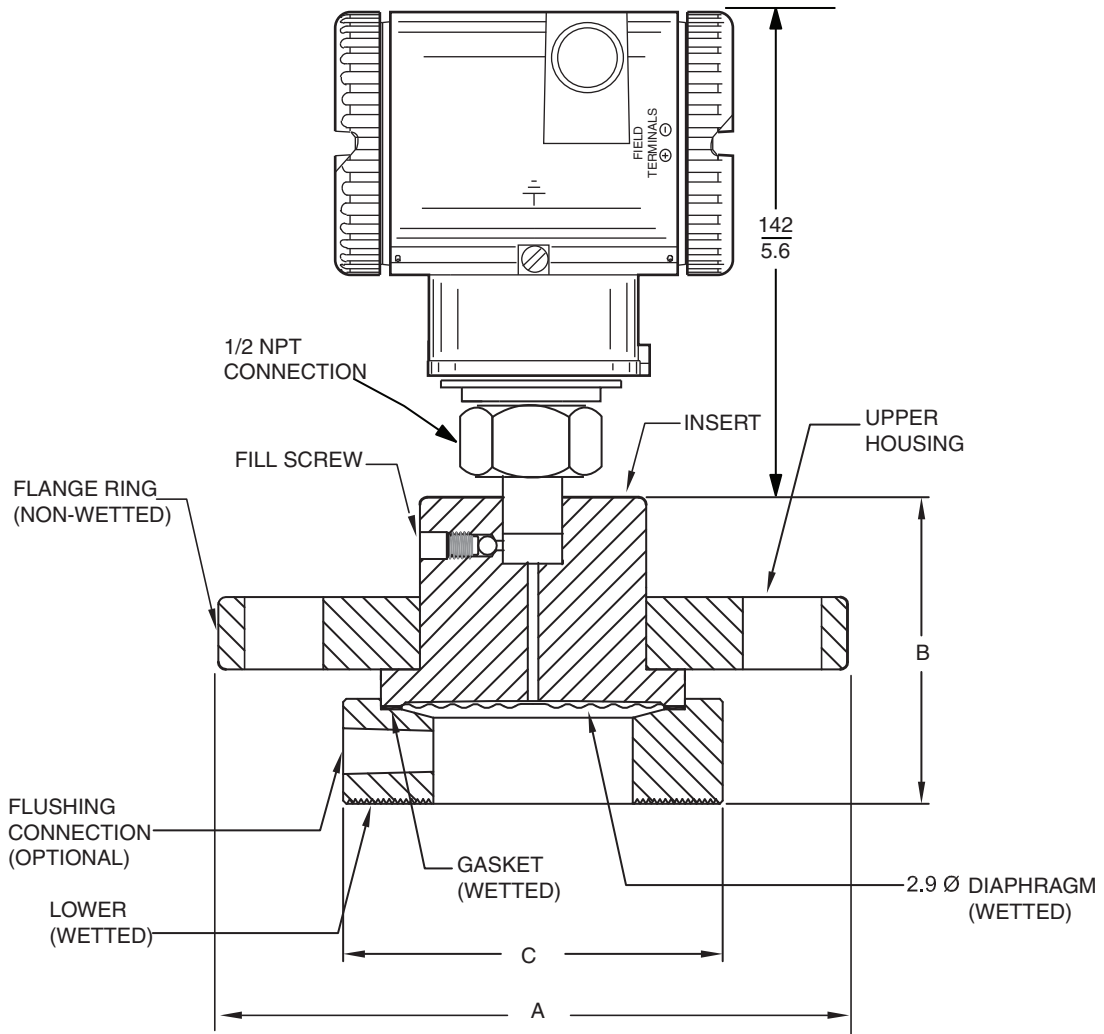
See Table on Page 2 for Dimensions A, B, and C



For dimensional information specific to your sales order, refer to Certified Dimensional Prints (CDPs) which can be ordered from your Foxboro Sales Office or authorized factory representative.

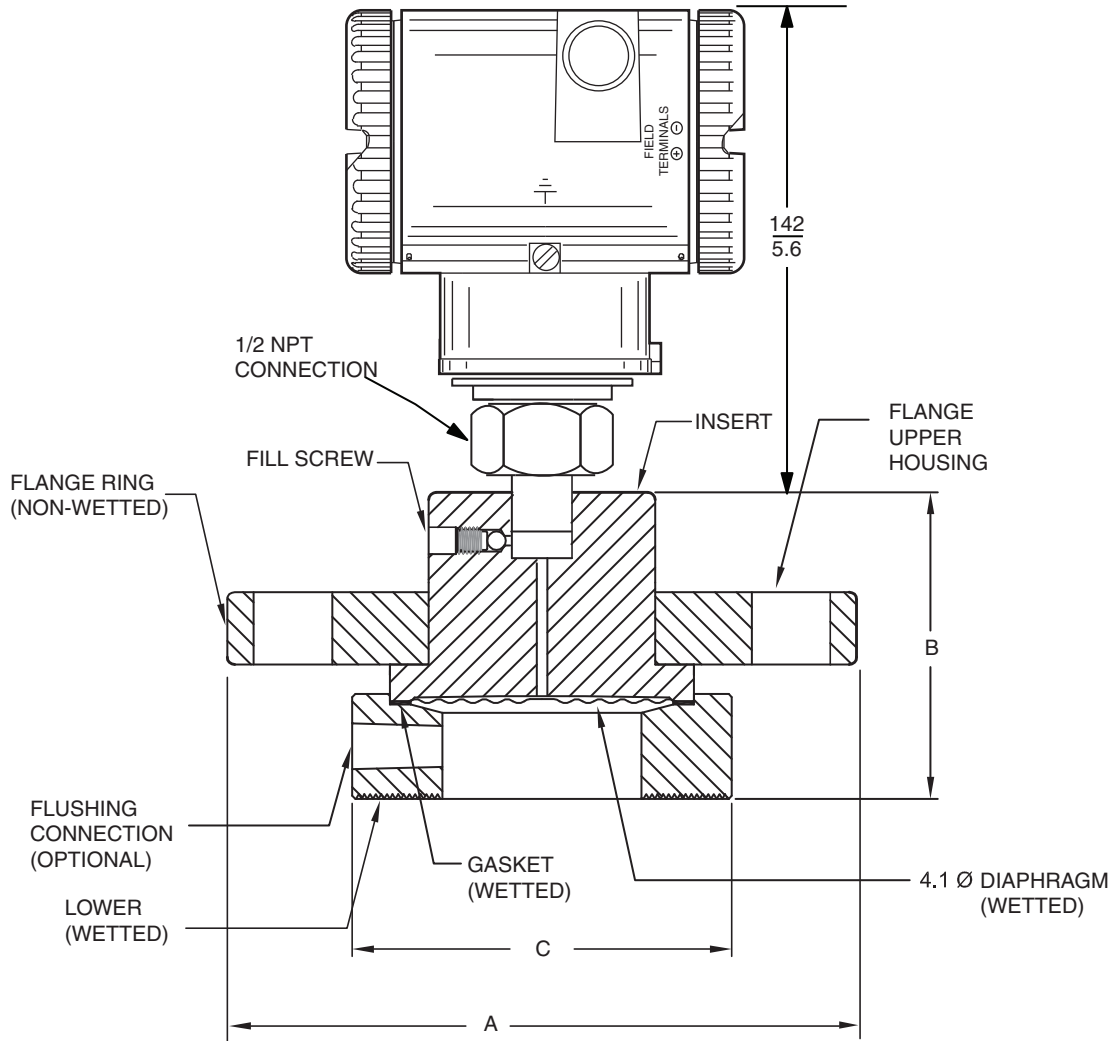
Flange Size	ANSI Rating	Overall Diameter "A"	Overall Height "B"			Lower Diameter C"
			With No Flush Connection	With 1/4 Flush Connection(s)	With 1/2 Flush Connection(s)	
1 in (25 mm)	150	<u>108</u> 4.25	<u>50.0</u> 2.0	<u>50.0</u> 2.0	<u>55.8</u> 2.2	<u>66.54</u> 2.62
	300	<u>124</u> 4.88	<u>63.5</u> 2.5	<u>83.82</u> 3.3	<u>96.52</u> 3.8	<u>66.54</u> 2.62
	600	<u>124</u> 4.88	<u>63.5</u> 2.5	<u>83.82</u> 3.3	<u>96.52</u> 3.8	<u>66.54</u> 2.62
1.5 in (38 mm)	150	<u>127</u> 5.0	<u>78.74</u> 3.1	<u>83.83</u> 3.3	<u>96.52</u> 3.8	<u>76.2</u> 3.0
	300	<u>155</u> 6.12	<u>78.74</u> 3.1	<u>83.83</u> 3.3	<u>96.52</u> 3.8	<u>76.2</u> 3.0
	600	<u>155</u> 6.12	<u>78.74</u> 3.1	<u>83.83</u> 3.3	<u>96.52</u> 3.8	<u>76.2</u> 3.0
2.0 in (50 mm)	150	<u>152</u> 6.0	<u>78.74</u> 3.1	<u>83.83</u> 3.3	<u>96.52</u> 3.8	<u>91.95</u> 3.62
	300	<u>165</u> 6.50	<u>78.74</u> 3.1	<u>83.83</u> 3.3	<u>96.52</u> 3.8	<u>91.95</u> 3.62
	600	<u>165</u> 6.50	<u>78.74</u> 3.1	<u>86.4</u> 3.4	<u>104</u> 4.1	<u>91.95</u> 3.62
3.0 in (80 mm)	150	<u>191</u> 7.50	<u>81.28</u> 3.2	<u>88.9</u> 3.5	<u>88.9</u> 3.5	<u>127</u> 5.0
	300	<u>210</u> 8.25	<u>88.9</u> 3.5	<u>88.9</u> 3.5	<u>104</u> 4.1	<u>127</u> 5.0
	600	<u>210</u> 8.25	<u>88.9</u> 3.5	<u>88.9</u> 3.5	<u>104</u> 4.1	<u>127</u> 5.0

Bolt Mounting Construction 2.9 Diaphragm



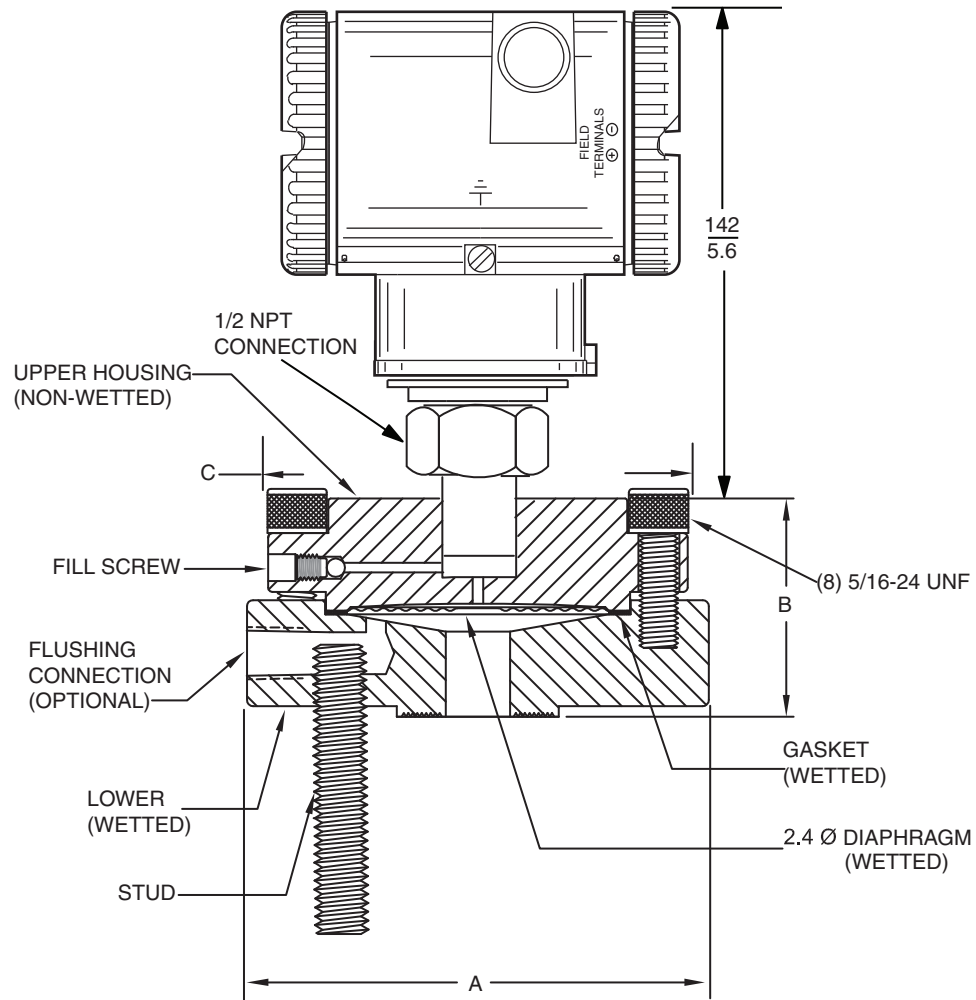
Flange Size	ANSI Rating	Overall Diameter "A"	Overall Height "B"			Lower Diameter "C"
			With No Flush Connection	With 1/4 Flush Connection(s)	With 1/2 Flush Connection(s)	
1.5 in (38 mm)	150	127	71.12	86.36	93.98	82.55
		5.0	2.8	3.4	3.7	3.25
	300	155	71.12	86.36	93.98	88.9
6.12		2.8	3.4	3.7	3.50	
2.0 in (50 mm)	150	155	71.12	86.36	93.98	88.9
		6.12	2.8	3.4	3.7	3.50
	300	152	71.12	91.4	104	92
6.0		2.8	3.6	4.1	3.62	
3.0 in (80 mm)	150	165	71.12	91.4	104	92
		6.50	2.8	3.6	4.1	3.62
	300	165	78.7	93.98	104	92
6.50		3.1	3.7	4.1	3.62	
3.0 in (80 mm)	150	191	81.28	83.82	93.98	127
		7.50	3.2	3.3	3.7	5.0
	300	210	81.28	88.9	106.68	127
8.25		3.2	3.5	4.2	5.0	
600	210	93.98	96.52	106.68	127	
	8.25	3.7	3.8	4.2	5.0	

Bolt Mounting Construction 4.1 Diaphragm



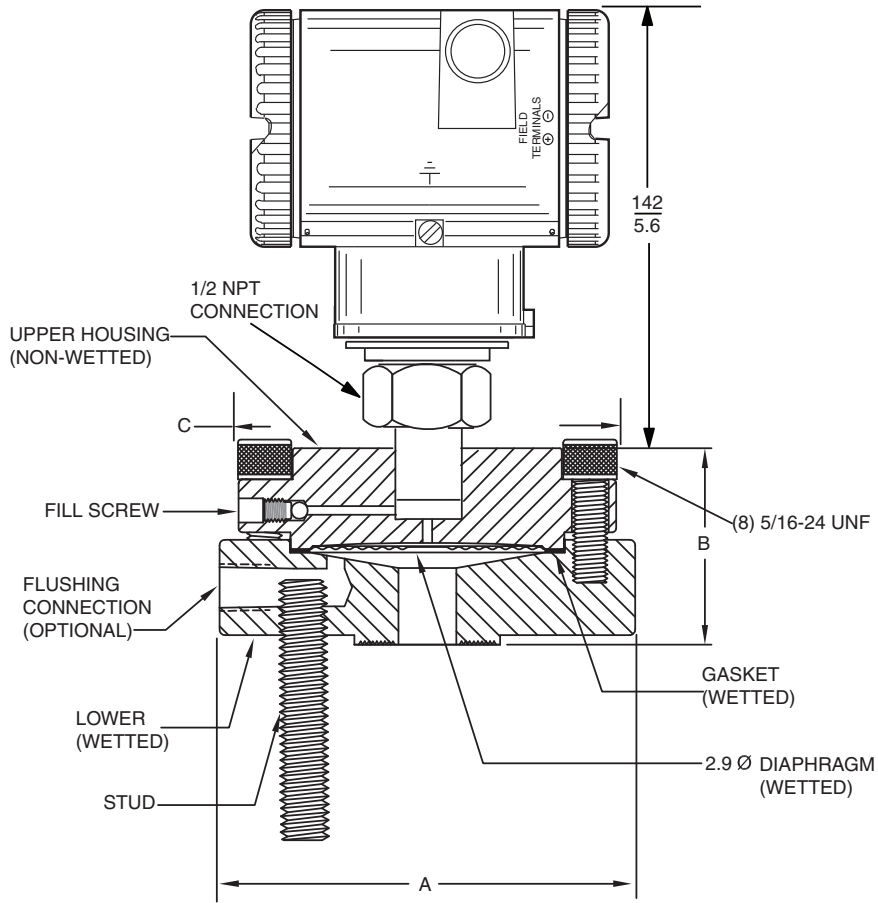
Flange Size	ANSI Rating	Overall Diameter "A"	Overall Height "B"			Lower Diameter "C"
			With No Flush Connection	With 1/4 Flush Connection(s)	With 1/2 Flush Connection(s)	
2 in (50 mm)	300	165 6.50	76.2 3.0	96.52 3.8	102 4.0	108 4.25
	600	165 6.50	76.2 3.0	96.52 3.8	114 4.5	108 4.25
3.0 in (80 mm)	150	190 7.50	73.66 2.9	83.82 3.3	93.98 3.7	127 5.0
	300	210 8.25	73.66 2.9	83.82 3.3	93.98 3.7	127 5.0
	600	210 8.25	86.36 3.4	96.52 3.8	93.98 3.7	127 5.0

Stud Mounting Construction 2.4 Diaphragm



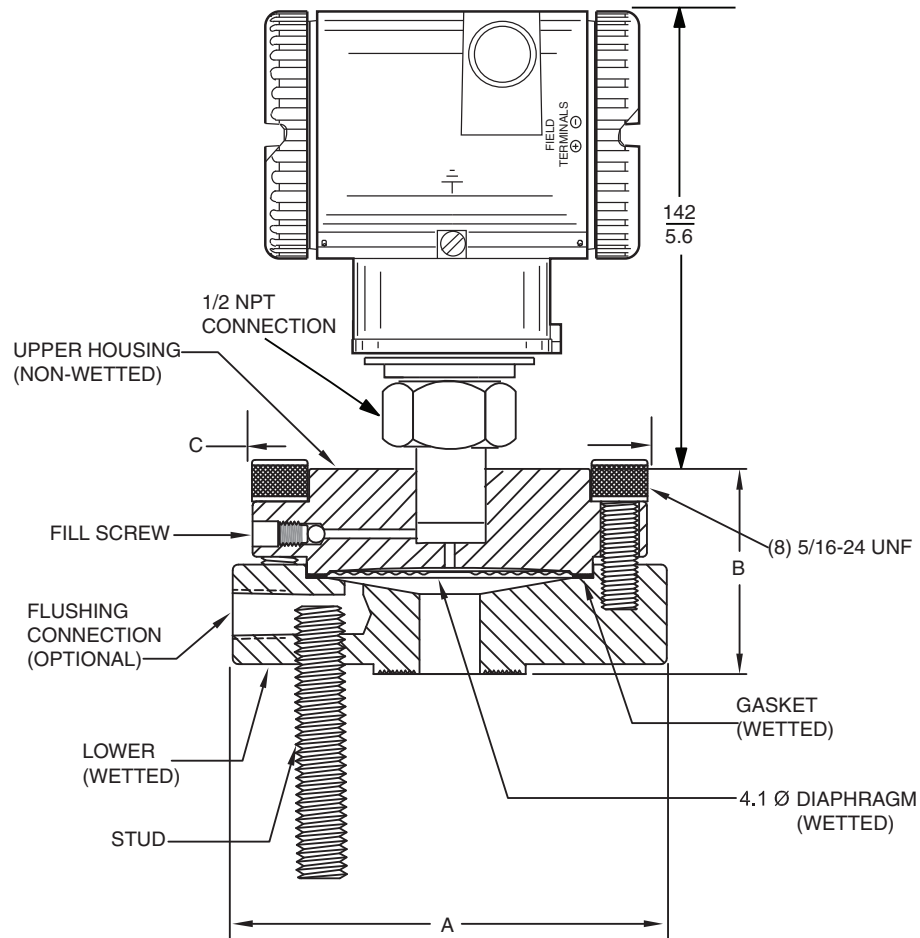
Flange Size	ANSI Rating	Overall Diameter "A"	Overall Height "B"			Lower Diameter C"
			With No Flush Connection	With 1/4 Flush Connection(s)	With 1/2 Flush Connection(s)	
0.5 in (13 mm)	150	88.9	50	50	55.88	88.9
		3.50	2.0	2.0	2.2	3.50
	300	88.9	50	50	55.88	88.9
		3.50	2.0	2.0	2.2	3.50
	600	88.9	55.88	55.88	60.96	88.9
		3.50	2.2	2.2	2.4	3.50
0.75 in (19 mm)	150	88.9	50	50	55.88	88.9
		3.50	2.0	2.0	2.2	3.50
	300	88.9	50	50	55.88	88.9
		3.50	2.0	2.0	2.2	3.50
	600	88.9	55.88	55.88	60.96	88.9
		3.50	2.2	2.2	2.4	3.50

Stud Mounting Construction 2.9 Diaphragm



Flange Size	ANSI Rating	Overall Diameter "A"	Overall Height "B"			Lower Diameter "C"
			With No Flush Connection	With 1/4 Flush Connection(s)	With 1/2 Flush Connection(s)	
0.5 in (13 mm)	150	102 4.0	53.34 2.1	53.34 2.1	55.88 2.2	102 4.0
	300	102 4.0	55.88 2.2	55.88 2.2	55.88 2.2	102 4.0
	600	102 4.0	58.42 2.3	58.42 2.3	63.5 2.5	102 4.0
0.75 in (19 mm)	150	102 4.0	53.34 2.1	53.34 2.1	55.88 2.2	102 4.0
	300	102 4.0	55.88 2.2	55.88 2.2	55.88 2.2	102 4.0
	600	102 4.0	58.42 2.3	58.42 2.3	63.5 2.5	102 4.0
1.0 in (25 mm)	150	102 4.0	48.26 1.9	48.26 1.9	60.96 2.4	102 4.0
	300	102 4.0	48.26 1.9	48.26 1.9	60.96 2.4	127 5.0
	600	124 4.88	60.96 2.4	60.96 2.4	60.96 2.4	114 4.50

Stud Mounting Construction 4.1 Diaphragm



Flange Size	ANSI Rating	Overall Diameter "A"	Overall Height "B"			Lower Diameter "C"
			With No Flush Connection	With 1/4 Flush Connection(s)	With 1/2 Flush Connection(s)	
0.5 in (13 mm)	150	133	48.26	60.96	60.96	133
		5.25	1.9	2.4	2.4	5.25
	300	133	52.34	60.96	60.96	133
		5.25	2.1	2.4	2.4	5.25
	600	133	58.42	63.5	63.5	133
		5.25	2.3	2.5	2.5	5.25
0.75 in (19 mm)	150	133	48.26	60.96	60.96	133
		5.25	1.9	2.4	2.4	5.25
	300	133	52.34	60.96	60.96	133
		5.25	2.1	2.4	2.4	5.25
	600	133	58.42	63.5	63.5	133
		5.25	2.3	2.5	2.5	5.25
1.0 in (25 mm)	150	133	52.34	60.96	60.96	133
		5.25	2.1	2.4	2.4	5.25
	300	133	52.34	60.96	60.96	133
		5.25	2.1	2.4	2.4	5.25
	600	133	63.5	63.5	63.5	133
		5.25	2.5	2.5	2.5	5.25
1.5 in (38 mm)	150	133	52.34	60.96	60.96	133
		5.25	2.1	2.4	2.4	5.25
	300	133	60.96	60.96	60.96	152
		5.25	2.4	2.4	2.4	6.0
	600	133	66	66	63.5	152
		5.25	2.6	2.6	2.5	6.0
2 in (50 mm)	150	152	58.42	60.96	60.96	152
		6.0	2.3	2.4	2.4	6.0

Invensys Operations Management
5601 Granite Parkway Suite 1000
Plano, TX 75024
www.iom.invensys.com

Global Client Support
Inside U.S.: 1-866-746-6477
Outside U.S.: 1-508-549-2424 or contact
your local Foxboro representative.
Website: <http://support.ips.invensys.com>

Invensys, Foxboro, and I/A Series are trademarks of Invensys plc,
its subsidiaries, and affiliates.
All other brand names may be trademarks of their respective
owners.

Copyright 2001-2012 Invensys Systems, Inc.
All rights reserved