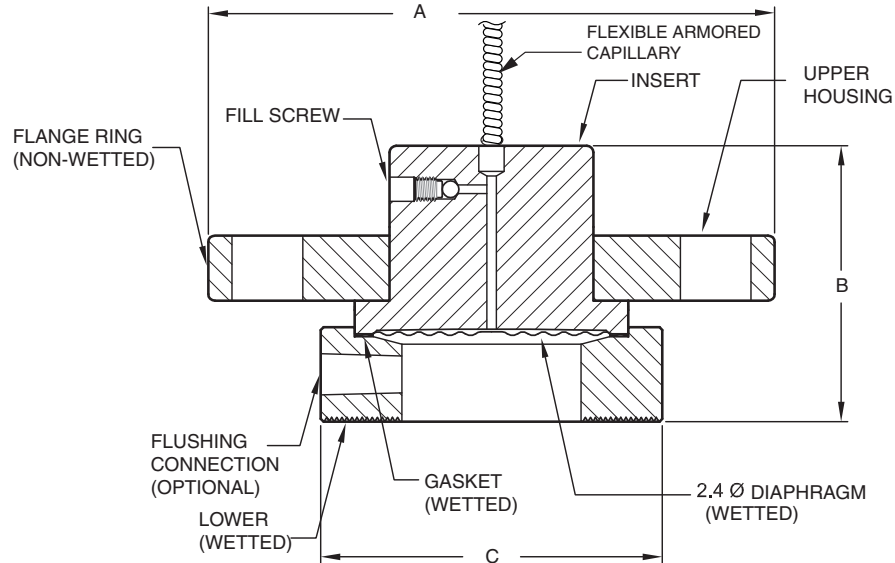


# PSFAR Remote-Mounted Pressure Seals with Flanged Process Connection

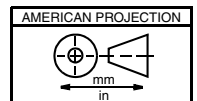
For use with I/A Series<sup>®</sup> Pressure Transmitter  
Models IDP10, IAP10, IGP10, IAP20, and IGP20

## Bolt Mounting Construction 2.4 Diaphragm



316 ss Flexible Armor lengths between 5 ft (1.5 m) and 50 ft (15.0 m)

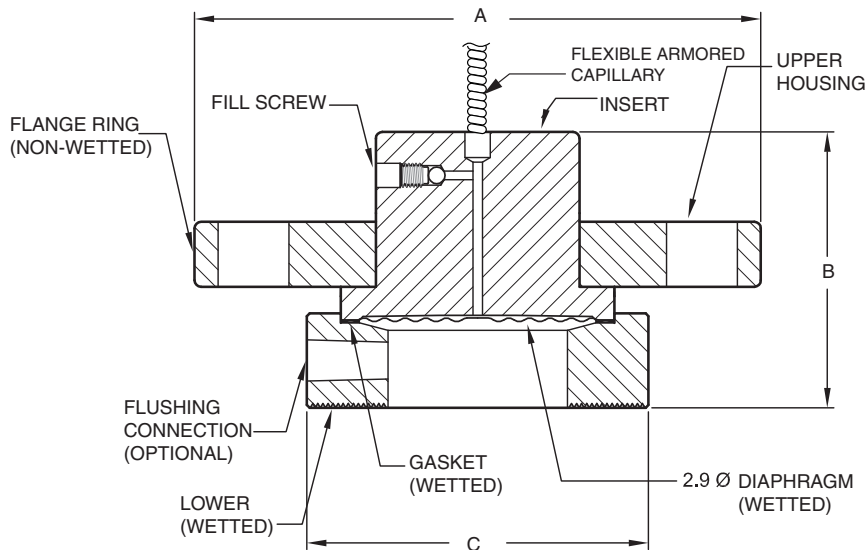
Flange Size	ANSI Rating	Overall Diameter "A"	Overall Height "B"			Lower Diameter "C"
			With No Flush Connection	With 1/4 Flush Connection(s)	With 1/2 Flush Connection(s)	
1 in (25 mm)	150	108	50.0	50.0	55.8	66.54
		4.25	2.0	2.0	2.2	2.62
	300	124	63.5	83.82	96.52	66.54
1.5 in (38 mm)	150	127	78.74	83.83	96.52	76.2
		5.0	3.1	3.3	3.8	3.0
	300	155	78.74	83.83	96.52	76.2
2.0 in (50 mm)	150	152	78.74	83.83	96.52	91.95
		6.0	3.1	3.3	3.8	3.62
	300	165	78.74	83.83	96.52	91.95
600	165	78.74	86.4	104	91.95	
	6.50	3.1	3.4	4.1	3.62	



For dimensional information specific to your sales order, refer to Certified Dimensional Prints (CDPs) which can be ordered from your Foxboro Sales Office or authorized factory representative.

Flange Size	ANSI Rating	Overall Diameter "A"	Overall Height "B"			Lower Diameter C"
			With No Flush Connection	With 1/4 Flush Connection(s)	With 1/2 Flush Connection(s)	
3.0 in (80 mm)	150	191 7.50	81.28 3.2	88.9 3.5	88.9 3.5	127 5.0
	300	210 8.25	88.9 3.5	88.9 3.5	104 4.1	127 5.0
	600	210 8.25	88.9 3.5	88.9 3.5	104 4.1	127 5.0

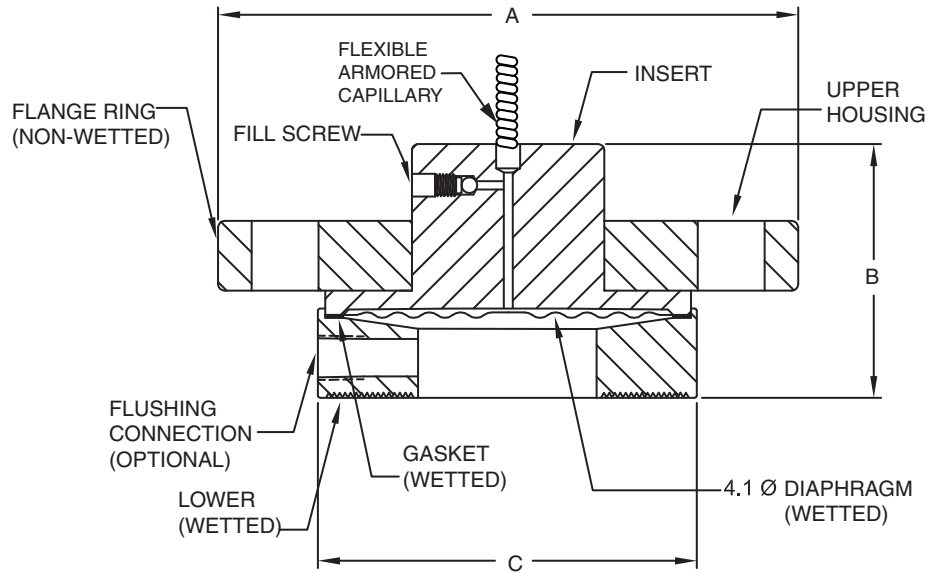
**Bolt Mounting Construction 2.9 Diaphragm**



316 ss Flexible Armor lengths between 5 ft (1.5 m) and 50 ft (15.0 m)

Flange Size	ANSI Rating	Overall Diameter "A"	Overall Height "B"			Lower Diameter C"
			With No Flush Connection	With 1/4 Flush Connection(s)	With 1/2 Flush Connection(s)	
1.5 in (38 mm)	150	127 5.0	71.12 2.8	86.36 3.4	93.98 3.7	82.55 3.25
	300	155 6.12	71.12 2.8	86.36 3.4	93.98 3.7	88.9 3.50
	600	155 6.12	71.12 2.8	86.36 3.4	93.98 3.7	88.9 3.50
2.0 in (50 mm)	150	152 6.0	71.12 2.8	91.4 3.6	104 4.1	92 3.62
	300	165 6.50	71.12 2.8	91.4 3.6	104 4.1	92 3.62
	600	165 6.50	78.7 3.1	93.98 3.7	104 4.1	92 3.62
3.0 in (80 mm)	150	191 7.50	81.28 3.2	83.82 3.3	93.98 3.7	127 5.0
	300	210 8.25	81.28 3.2	88.9 3.5	106.68 4.2	127 5.0
	600	210 8.25	93.98 3.7	96.52 3.8	106.68 4.2	127 5.0

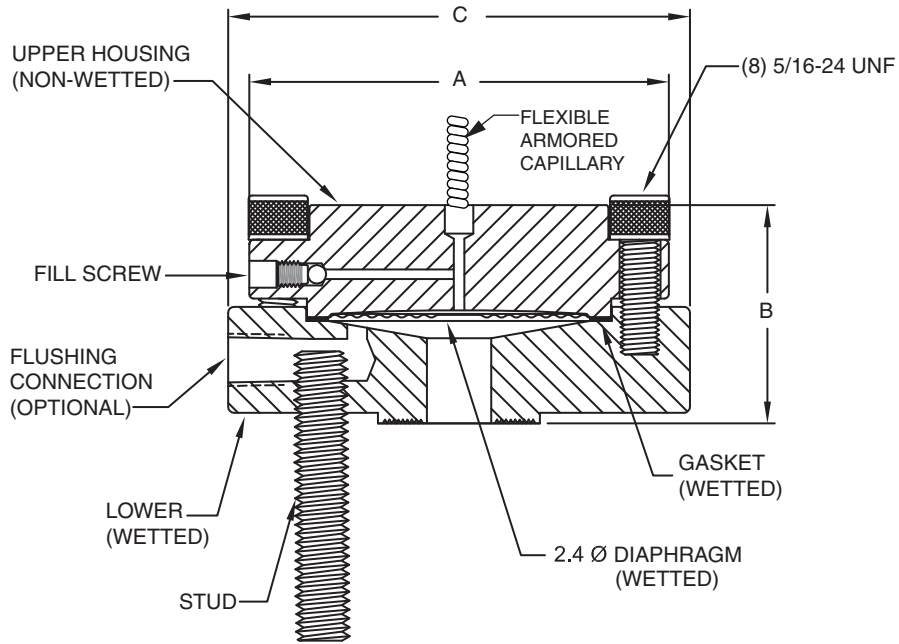
**Bolt Mounting Construction 4.1 Diaphragm**



316 ss Flexible Armor lengths between 5 ft (1.5 m) and 50 ft (15.0 m)

Flange Size	ANSI Rating	Overall Diameter "A"	Overall Height "B"			Lower Diameter "C"
			With No Flush Connection	With 1/4 Flush Connection(s)	With 1/2 Flush Connection(s)	
2 in (50 mm)	300	<u>165</u> 6.50	<u>76.2</u> 3.0	<u>96.52</u> 3.8	<u>102</u> 4.0	<u>108</u> 4.25
	600	<u>165</u> 6.50	<u>76.2</u> 3.0	<u>96.52</u> 3.8	<u>102</u> 4.5	<u>108</u> 4.25
3.0 in (80 mm)	150	<u>190</u> 7.50	<u>73.66</u> 2.9	<u>83.82</u> 3.3	<u>93.98</u> 3.7	<u>127</u> 5.0
	300	<u>210</u> 8.25	<u>73.66</u> 2.9	<u>83.82</u> 3.3	<u>93.98</u> 3.7	<u>127</u> 5.0
	600	<u>210</u> 8.25	<u>86.36</u> 3.4	<u>96.52</u> 3.8	<u>93.98</u> 3.7	<u>127</u> 5.0

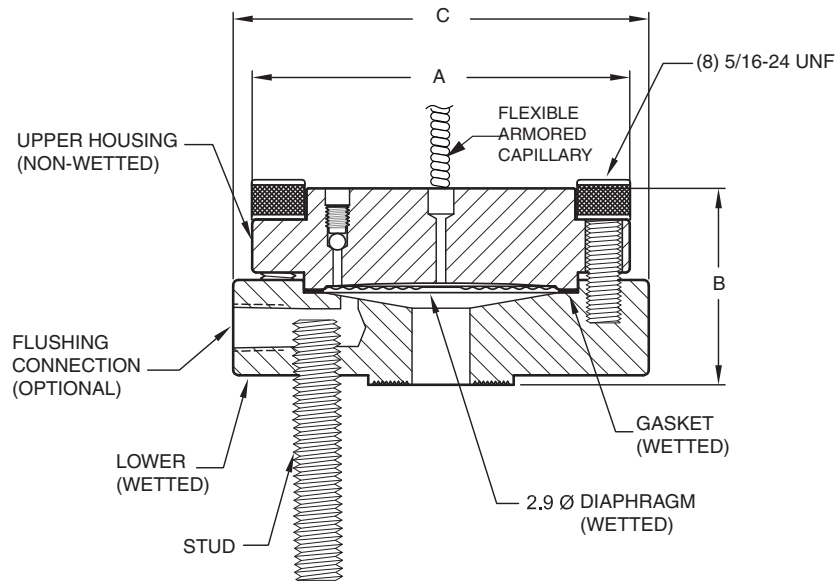
**Stud Mounting Construction 2.4 Diaphragm**



316 ss Flexible Armor lengths between 5 ft (1.5 m) and 50 ft (15.0 m)

Flange Size	ANSI Rating	Overall Diameter "A"	Overall Height "B"			Lower Diameter C"
			With No Flush Connection	With 1/4 Flush Connection(s)	With 1/2 Flush Connection(s)	
0.5 in (13 mm)	150	88.9	50	50	55.88	88.9
		3.50	2.0	2.0	2.2	3.50
	300	88.9	50	50	55.88	88.9
		3.50	2.0	2.0	2.2	3.50
	600	88.9	55.88	55.88	60.96	88.9
		3.50	2.2	2.2	2.4	3.50

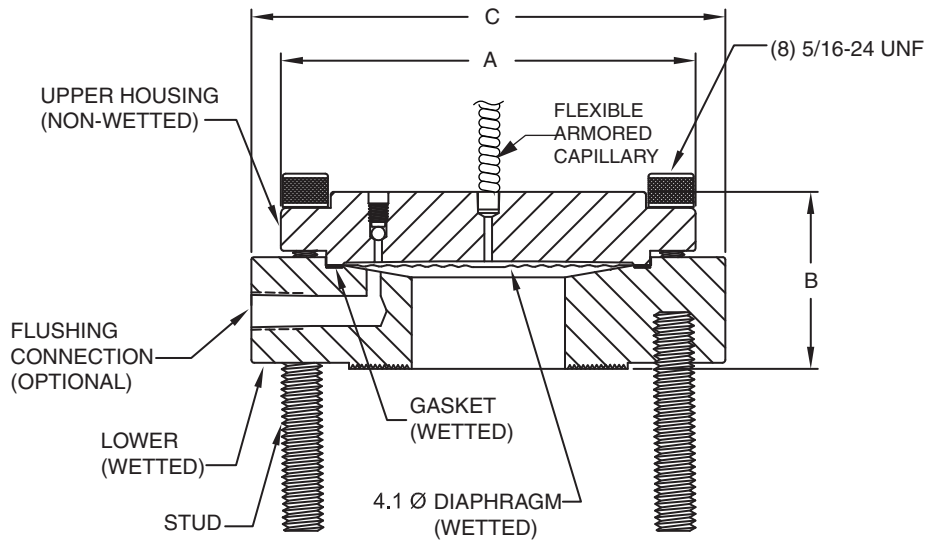
**Stud Mounting Construction 2.9 Diaphragm**



316 ss Flexible Armor lengths between 5 ft (1.5 m) and 50 ft (15.0 m)

Flange Size	ANSI Rating	Overall Diameter "A"	Overall Height "B"			Lower Diameter C"
			With No Flush Connection	With 1/4 Flush Connection(s)	With 1/2 Flush Connection(s)	
0.5 in (13 mm)	150	102 4.0	53.34 2.1	53.34 2.1	55.88 2.2	102 4.0
	300	102 4.0	55.88 2.2	55.88 2.2	55.88 2.2	102 4.0
	600	102 4.0	58.42 2.3	58.42 2.3	63.5 2.5	102 4.0
0.75 in (19 mm)	150	102 4.0	53.34 2.1	53.34 2.1	55.88 2.2	102 4.0
	300	102 4.0	55.88 2.2	55.88 2.2	55.88 2.2	102 4.0
	600	102 4.0	58.42 2.3	58.42 2.3	63.5 2.5	102 4.0
1.0 in (25 mm)	150	102 4.0	48.26 1.9	48.26 1.9	60.96 2.4	102 4.0
	300	102 4.0	48.26 1.9	48.26 1.9	60.96 2.4	127 5.0
	600	124 4.88	60.96 2.4	60.96 2.4	60.96 2.4	114 4.50

**Stud Mounting Construction 4.1 Diaphragm**



316 ss Flexible Armor lengths between 5 ft (1.5 m) and 50 ft (15.0 m)

Flange Size	ANSI Rating	Overall Diameter "A"	Overall Height "B"			Lower Diameter C"
			With No Flush Connection	With 1/4 Flush Connection(s)	With 1/2 Flush Connection(s)	
0.5 in (13 mm)	150	133 5.25	48.26 1.9	60.96 2.4	60.96 2.4	133 5.25
	300	133 5.25	52.34 2.1	60.96 2.4	60.96 2.4	133 5.25
	600	133 5.25	58.42 2.3	63.5 2.5	63.5 2.5	133 5.25
1.0 in (25 mm)	150	133 5.25	52.34 2.1	60.96 2.4	60.96 2.4	133 5.25
	300	133 5.25	52.34 2.1	60.96 2.4	60.96 2.4	133 5.25
	600	133 5.25	63.5 2.5	63.5 2.5	63.5 2.5	133 5.25
1.5 in (38 mm)	150	133 5.25	52.34 2.1	60.96 2.4	60.96 2.4	133 5.25
	300	133 5.25	60.96 2.4	60.96 2.4	60.96 2.4	152 6.0
	600	133 5.25	66 2.6	66 2.6	63.5 2.5	152 6.0
2 in (50 mm)	150	152 6.0	58.42 2.3	60.96 2.4	60.96 2.4	152 6.0

Invensys Operations Management  
5601 Granite Parkway Suite 1000  
Plano, TX 75024  
www.iom.invensys.com

Global Client Support  
Inside U.S.: 1-866-746-6477  
Outside U.S.: 1-508-549-2424 or contact  
your local Foxboro representative.  
Website: <http://support.ips.invensys.com>

Invensys, Foxboro, and I/A Series are trademarks of Invensys plc, its subsidiaries, and affiliates.  
All other brand names may be trademarks of their respective owners.

Copyright 2001-2012 Invensys Systems, Inc.  
All rights reserved