

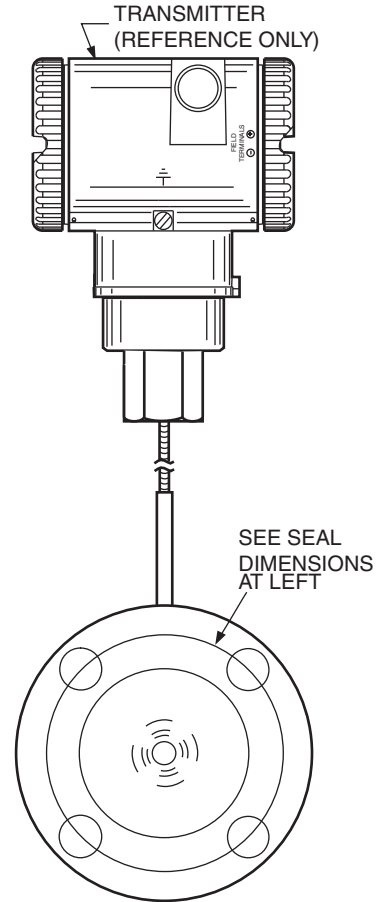
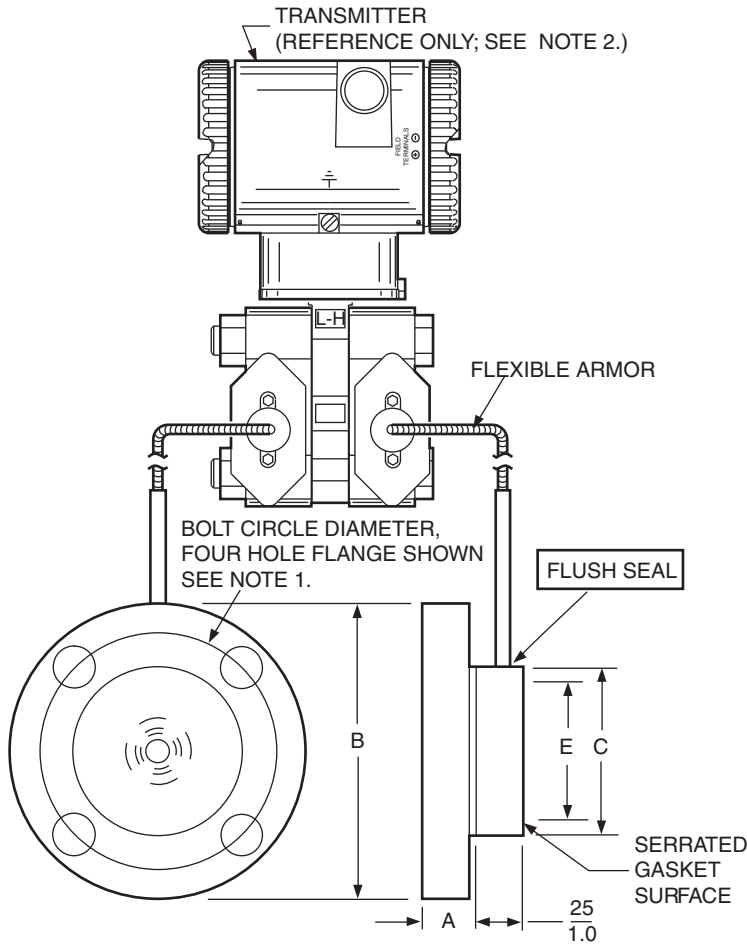
Pressure Seals with Flanged Process Connection; Remote-Mounted Model PSFPS (Flush) and PSFES (Extended)

SEE PAGE 6 FOR PSFES (EXTENDED SEAL)

Flush Mounted Seal without Optional Flushing Ring

WITH MODEL IDP10, IAP20, OR IGP20

WITH MODEL IAP10 OR IGP10

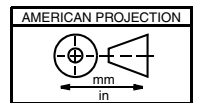


NOTES:

- 1. FOUR HOLE FLANGE SHOWN. REFER TO BOLT HOLE CONFIGURATION.
- 2. FOR TRANSMITTER DIMENSIONS, REFER TO TRANSMITTER DRAWING.

316 ss Flexible Armor lengths between 5 ft (1.5 m) and 50 ft (15.0 m)

See Table on Page 3 for Dimensions A, B, C, and E

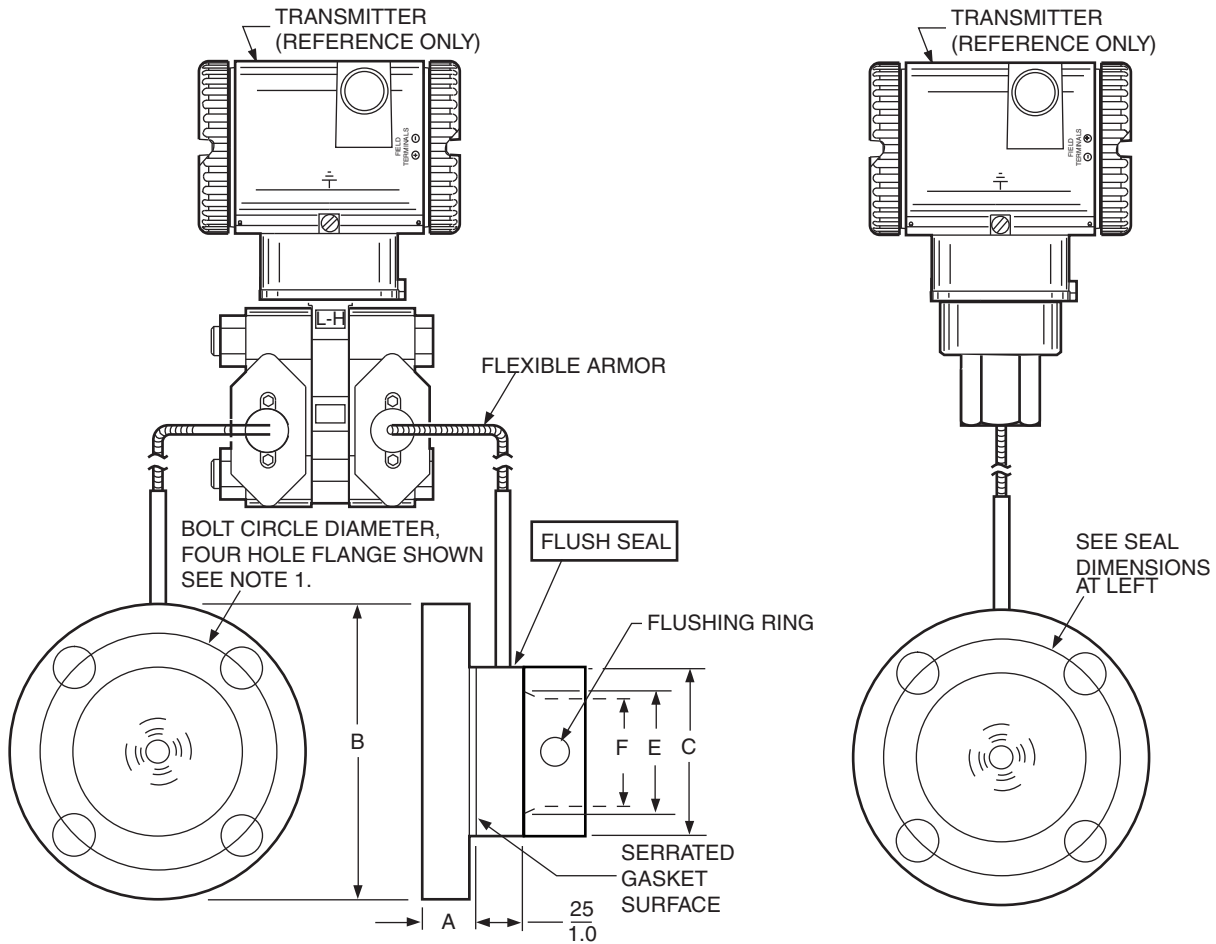


For dimensional information specific to your sales order, refer to Certified Dimensional Prints (CDPs) which can be ordered from your Foxboro Sales Office or authorized factory representative.

Flush Mounted Seal With Optional Flushing Ring

WITH MODEL IDP10, IAP20, OR IGP20

WITH MODEL IAP10 OR IGP10



NOTES:

- 1. FOUR HOLE FLANGE SHOWN. REFER TO BOLT HOLE CONFIGURATION.
- 2. FOR TRANSMITTER DIMENSIONS, REFER TO TRANSMITTER DRAWING.

316 ss Flexible Armor lengths between 5 ft (1.5 m) and 50 ft (15.0 m)

See Tables on Page 3 for Dimensions A, B, C, E, and F

Flush Remote-Mounted Seals (Dimensions A, B, C, and E)

Nominal Flange Size	Flange Pressure Rating	Dimensional Data						
		Number of Bolt Holes	Bolt Hole Dia.	Bolt Circle Dia.	Dim. A	Dim. B	Dim. C(a)	Dim E(b)
2 in (50 mm)	Class 150	4	<u>19</u> 0.75	<u>121</u> 4.75	<u>20</u> 0.8	<u>152</u> 6.0	<u>92</u> 3.62	<u>58.4</u> 2.3
	Class 300	8	<u>19</u> 0.75	<u>127</u> 5.00	<u>23</u> 0.9	<u>165</u> 6.5	<u>92</u> 3.62	<u>58.4</u> 2.3
	Class 600	8	<u>19</u> 0.75	<u>127</u> 5.00	<u>33</u> 1.3	<u>165</u> 6.5	<u>92</u> 3.62	<u>58.4</u> 2.3
3 in (80 mm)	Class 150	4	<u>19</u> 0.75	<u>152</u> 6.00	<u>23</u> 0.9	<u>191</u> 7.5	<u>127</u> 5.00	<u>88.9</u> 3.5
	Class 300	8	<u>22</u> 0.88	<u>168</u> 6.62	<u>28</u> 1.1	<u>211</u> 8.3	<u>127</u> 5.00	<u>88.9</u> 3.5
	Class 600	8	<u>22</u> 0.88	<u>168</u> 6.62	<u>38</u> 1.5	<u>211</u> 8.3	<u>127</u> 5.00	<u>88.9</u> 3.5
DN50 (50 mm)	PN 10/40	4	<u>18</u> 0.71	<u>125</u> 4.92	<u>20</u> 0.8	<u>165</u> 6.5	<u>102</u> 4.02	<u>58.4</u> 2.3
DN80 (80 mm)	PN 10/40	8	<u>18</u> 0.71	<u>160</u> 6.30	<u>24</u> 0.9	<u>200</u> 7.9	<u>138</u> 5.43	<u>88.9</u> 3.5

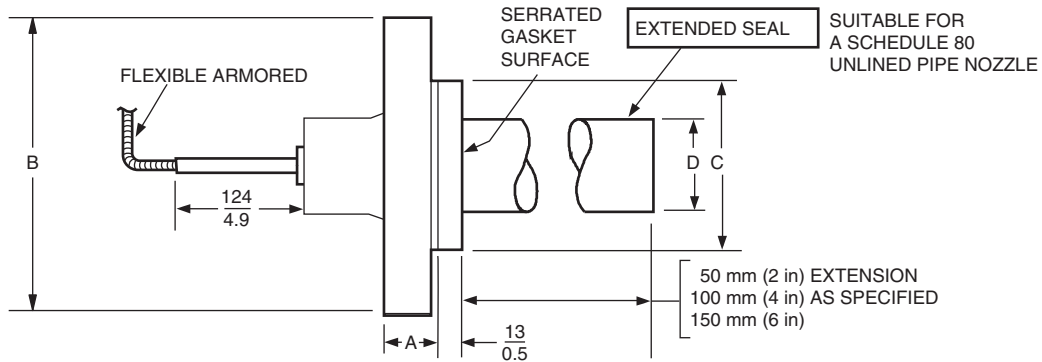
(a) OD of Raised Face (Gasket Surface)

(b) Maximum Diameter of Diaphragm on Flush Mount Seal

Flushing Ring (Dimension F)

Raised Face Flange	Material	NPT Flushing Connections	Dim. F (Flushing Ring)		
			I.D.	O.D.	Height
2 in (50 mm)	316 ss	1/4 NPT	<u>53.8</u>	<u>92</u>	<u>25</u>
	Hastelloy C	1/4 NPT	2.12	3.62	1.00
	316 ss	1/2 NPT	<u>53.8</u>	<u>92</u>	<u>38.1</u>
	Hastelloy C	1/2 NPT	2.12	3.62	1.50
	316 ss	1/4 NPT (Dual)	<u>53.8</u>	<u>92</u>	<u>25</u>
	Hastelloy C	1/4 NPT (Dual)	2.12	3.62	1.00
	316 ss	1/2 NPT (Dual)	<u>53.8</u>	<u>92</u>	<u>38.1</u>
	Hastelloy C	1/2 NPT (Dual)	2.12	3.62	1.50
3 in (80 mm)	316 ss	1/4 NPT	<u>76.2</u>	<u>127</u>	<u>25</u>
	Hastelloy C	1/4 NPT	3.0	5.0	1.00
	316 ss	1/2 NPT	<u>76.2</u>	<u>127</u>	<u>38.1</u>
	Hastelloy C	1/2 NPT	3.0	5.0	1.50
	316 ss	1/4 NPT (Dual)	<u>76.2</u>	<u>127</u>	<u>25</u>
	Hastelloy C	1/4 NPT (Dual)	3.0	5.0	1.00
	316 ss	1/2 NPT (Dual)	<u>76.2</u>	<u>127</u>	<u>38.1</u>
	Hastelloy C	1/2 NPT (Dual)	3.0	5.0	1.50

Extended Seal



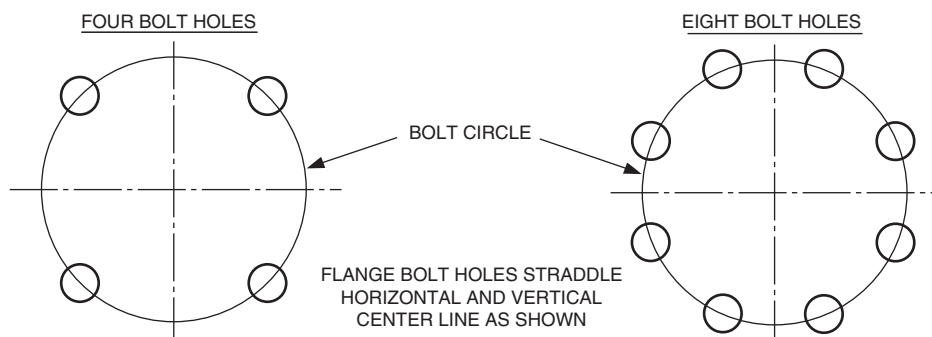
316 ss Flexible Armor lengths between 5 ft (1.5 m) and 50 ft (15.0 m)

Extended Remote-Mounted Seals (Dimensions A, B, C, and D)

Nominal Flange Size	Flange Pressure Rating	Dimensional Data						
		Number of Bolt Holes	Bolt Hole Dia.	Bolt Circle Dia.	Dim. A	Dim. B	Dim. C(a)	Dim. D(b)
2 in	Class 150	4	19 0.75	121 4.75	20 0.8	152 6.0	88.9 3.50	48.3 1.90
	Class 150(c)	4	19 0.75	121 4.75	20 0.8	152 6.0	88.9 3.50	47.3 1.86
	Class 300	8	19 0.75	127 5.00	23 0.9	165 6.5	88.9 3.50	48.3 1.90
	Class 600	8	19 0.75	127 5.00	33 1.3	165 6.5	88.9 3.50	48.3 1.90
3 in	Class 150	4	19 0.75	152 6.00	23 0.9	191 7.5	127 5.00	72.4 2.85
	Class 150(f)	4	19 0.75	152 6.00	23 0.9	191 7.5	127 5.00	70.9 2.79
	Class 300	8	22 0.88	168 6.62	28 1.1	211 8.3	127 5.00	72.4 2.85
	Class 600	8	22 0.88	168 6.62	38 1.5	211 8.3	127 5.00	72.4 2.85
4 in(d)	Class 150	8	19 0.75	191 7.50	23 0.9	229 9.0	152 6.00	94.0 3.70
	Class 300	8	22 0.88	200 7.88	33 1.3	254 10.0	152 6.00	94.0 3.70
	Class 600	8	25 1.00	216 8.50	46 1.8	274 10.8	152 6.00	94.0 3.70
DN50 (50 mm)	PN 10/40	4	18 0.71	125 4.92	20 0.8	165 6.5	102 4.02	48.3 1.9
DN80 (80 mm)	PN 10/40	8	18 0.71	160 6.30	24 0.9	200 7.9	138 5.43	72.4 2.85
DN100 (100 mm)	PN 10/16	8	18 0.71	180 7.09	20 0.8	220 8.7	152 6.00	94.0 3.7
	PN 25/40	8	22 0.87	190 7.48	24 0.9	235 9.3	152 6.00	94.0 3.7

- (a) OD of Raised Face (Gasket Surface)
- (b) Maximum Diameter of Extension Tube on Extended Mount Seal
- (e) With Optional Feature -D2
- (f) With Optional Feature -D3

FLANGE BOLT HOLE CONFIGURATIONS



Invensys Operations Management
5601 Granite Parkway Suite 1000
Plano, TX 75024
www.iom.invensys.com

Global Client Support
Inside U.S.: 1-866-746-6477
Outside U.S.: 1-508-549-2424 or contact
your local Foxboro representative.
Website: <http://support.ips.invensys.com>

Invensys, Foxboro, and I/A Series are trademarks of Invensys plc,
its subsidiaries, and affiliates.
All other brand names may be trademarks of their respective
owners.

Copyright 1999-2012 Invensys Systems, Inc.
All rights reserved