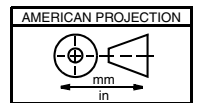
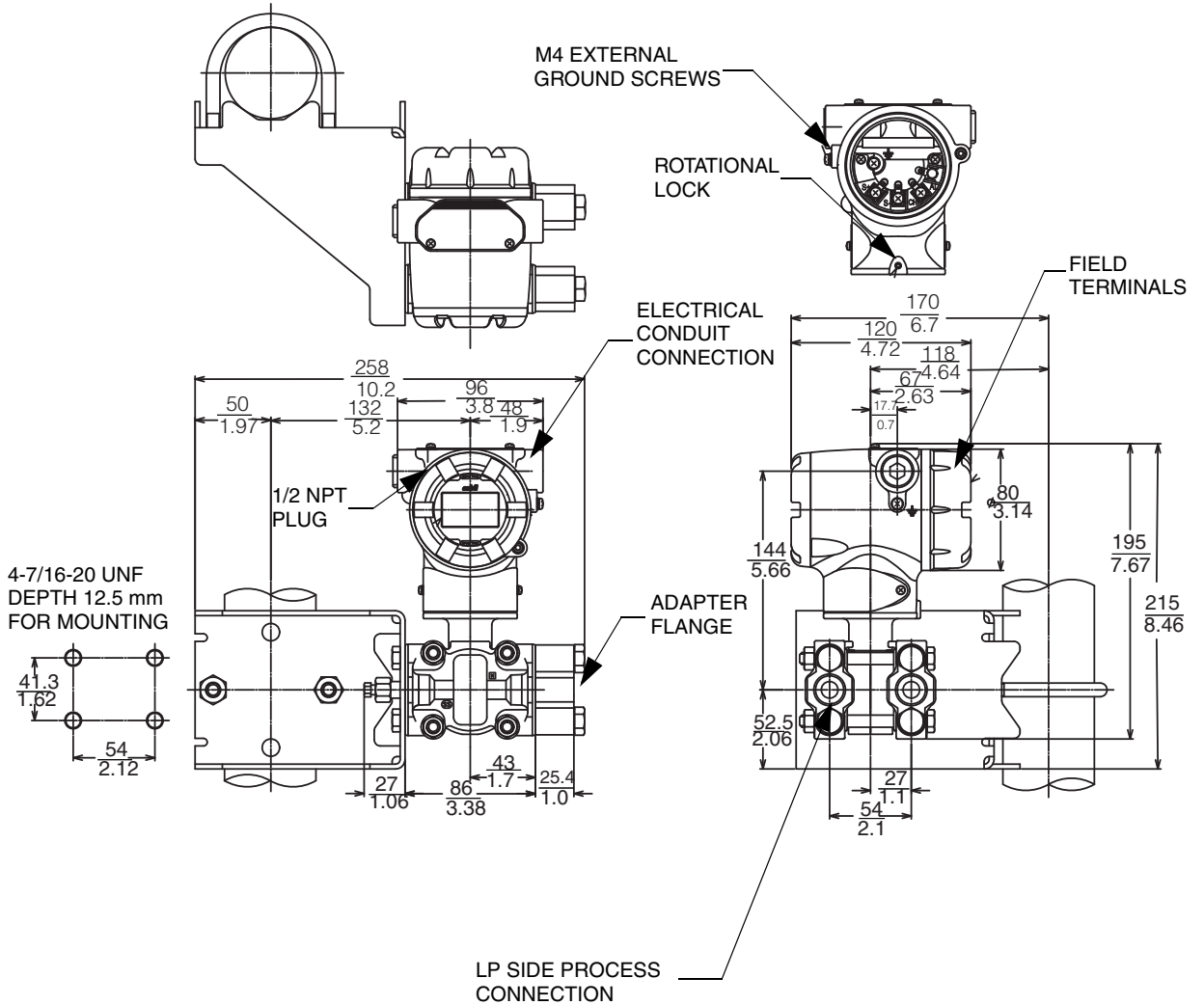


Enterprise Control System Component Pressure Transmitter Series

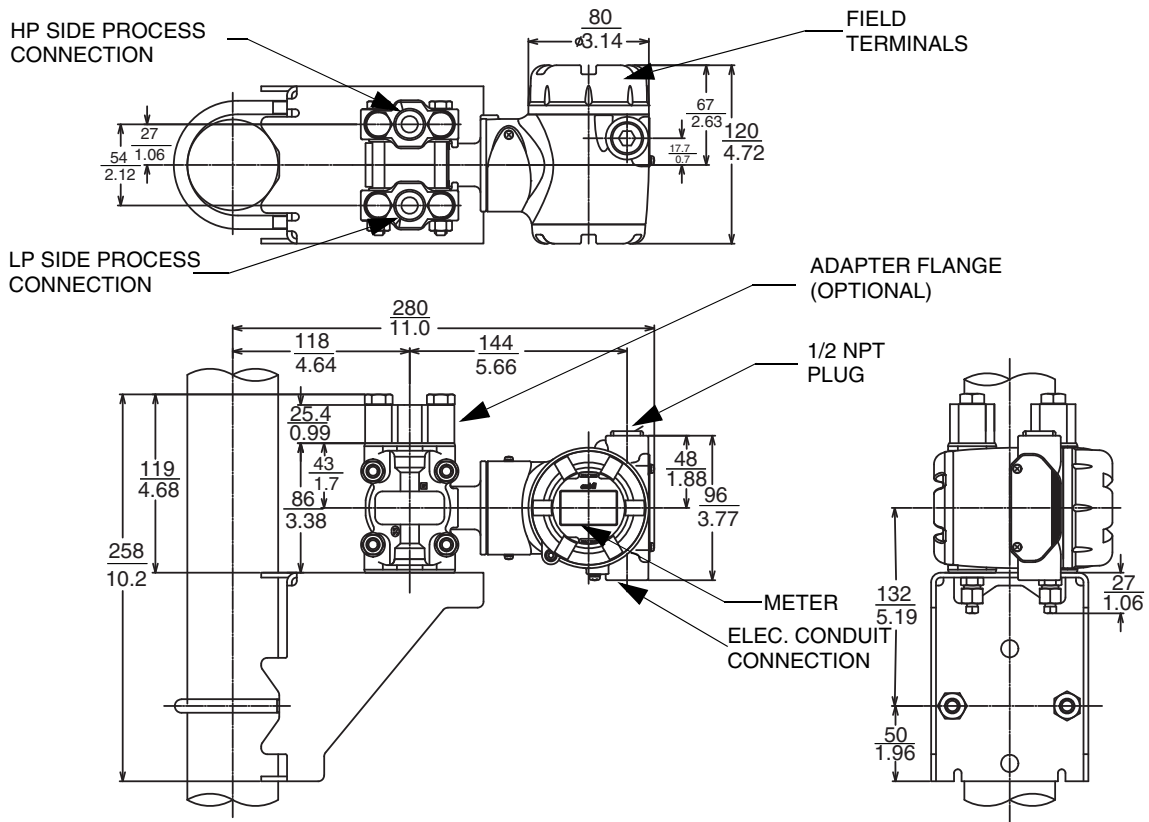
Models IDP15D, IDP31D, IDP32D, and IGP60G with HART Communication

MODEL IDP15D

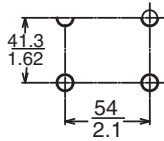


For dimensional information specific to your sales order, refer to Certified Dimensional Prints (CDPs) which can be ordered from your Foxboro Sales Office or authorized factory representative.

MODEL IDP15D

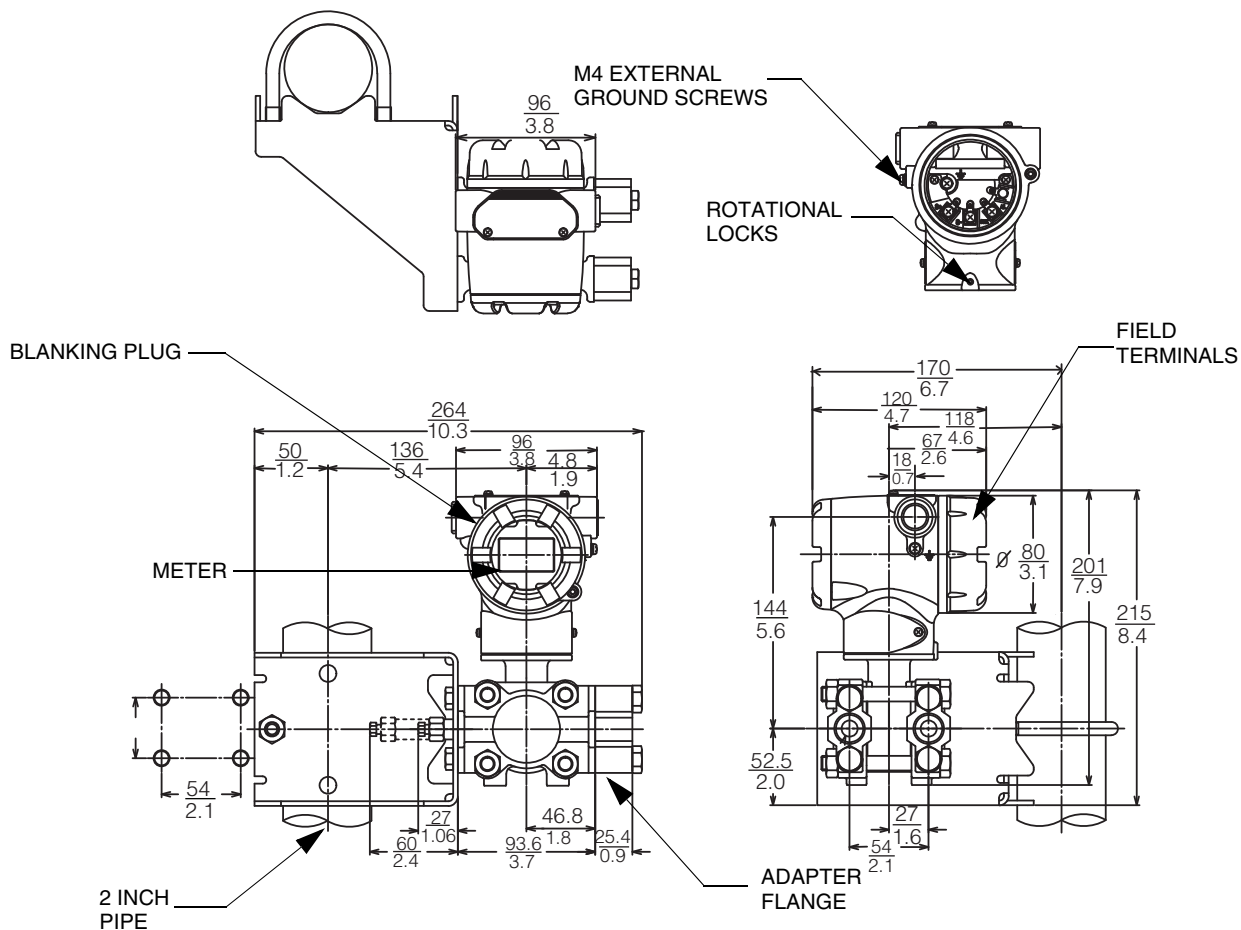


4-7/16-20 UNF
DEPTH 12.5mm
FOR MOUNTING



MODEL IDP31D - 316 SST, ASTM B575

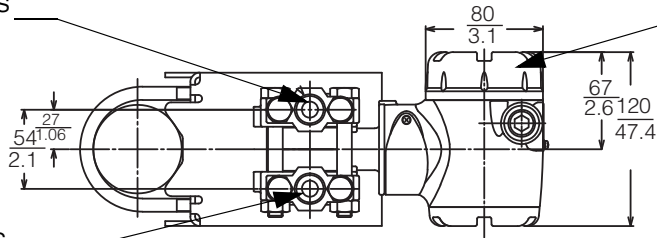
PROCESS CONNECTION - FRONT VIEW



MODEL IDP31D - 316 SST, ASTM B575

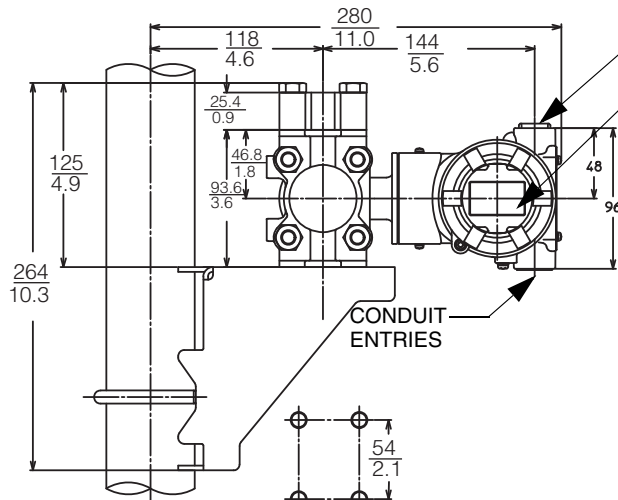
HP SIDE PROCESS CONNECTION

FIELD TERMINALS



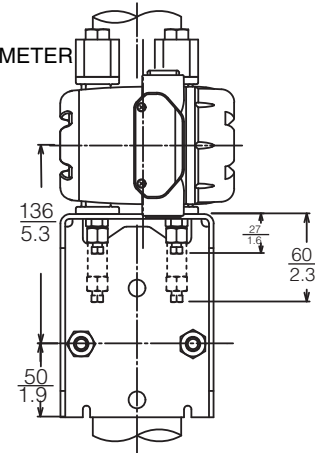
LP SIDE PROCESS CONNECTION

BLANKING PLUG

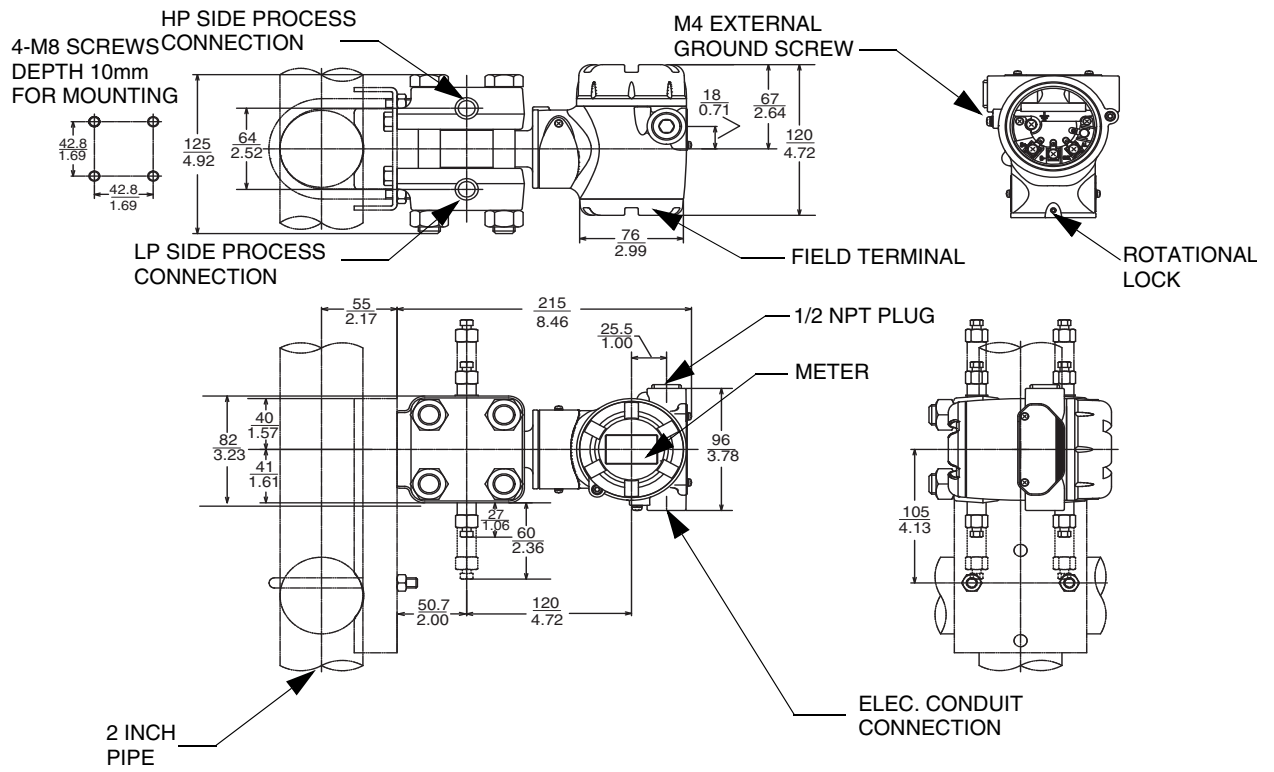


METER

4-7/16-20 UNF
DEPTH 12.5 mm
FOR MOUNTING

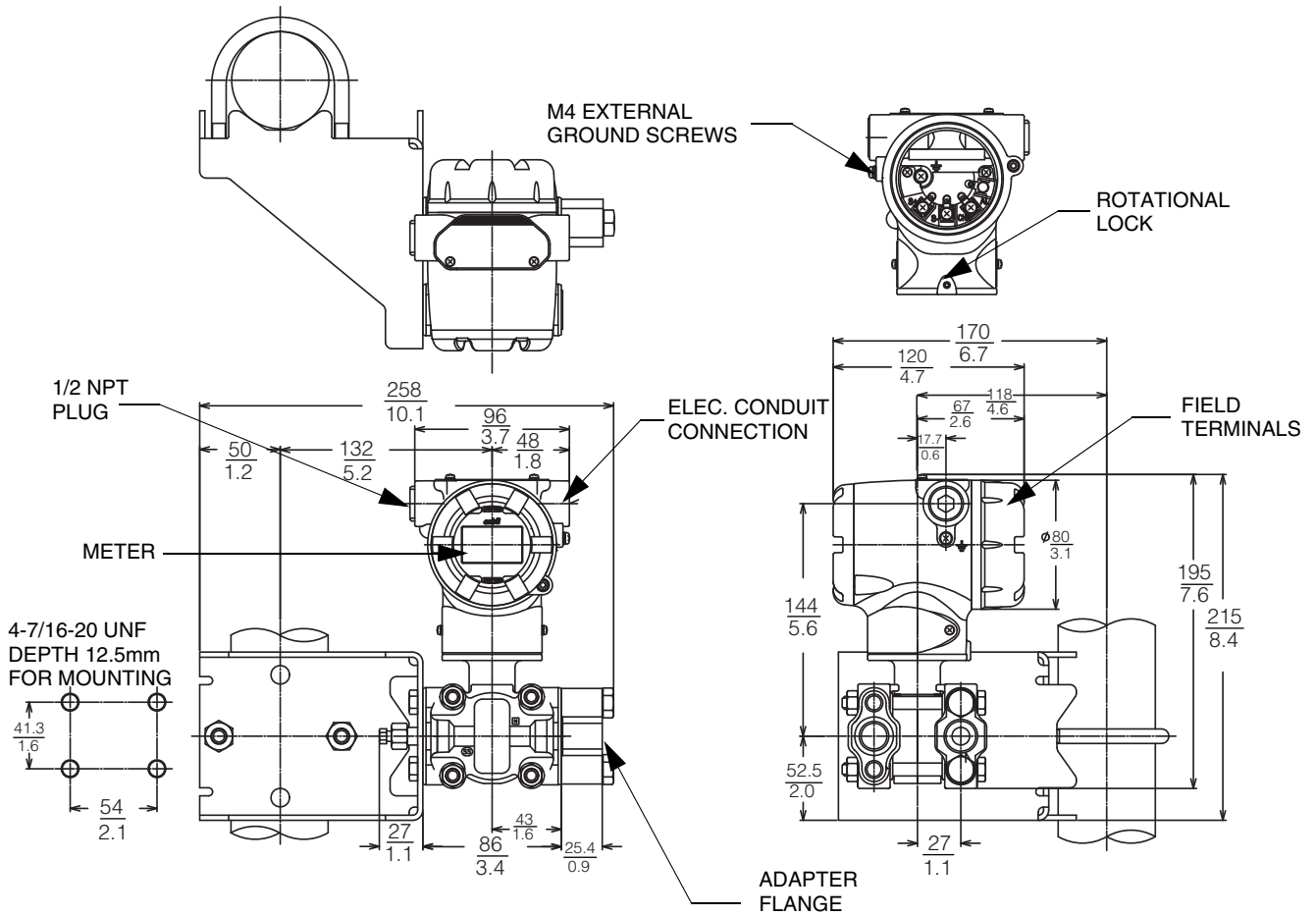


MODEL IDP32D



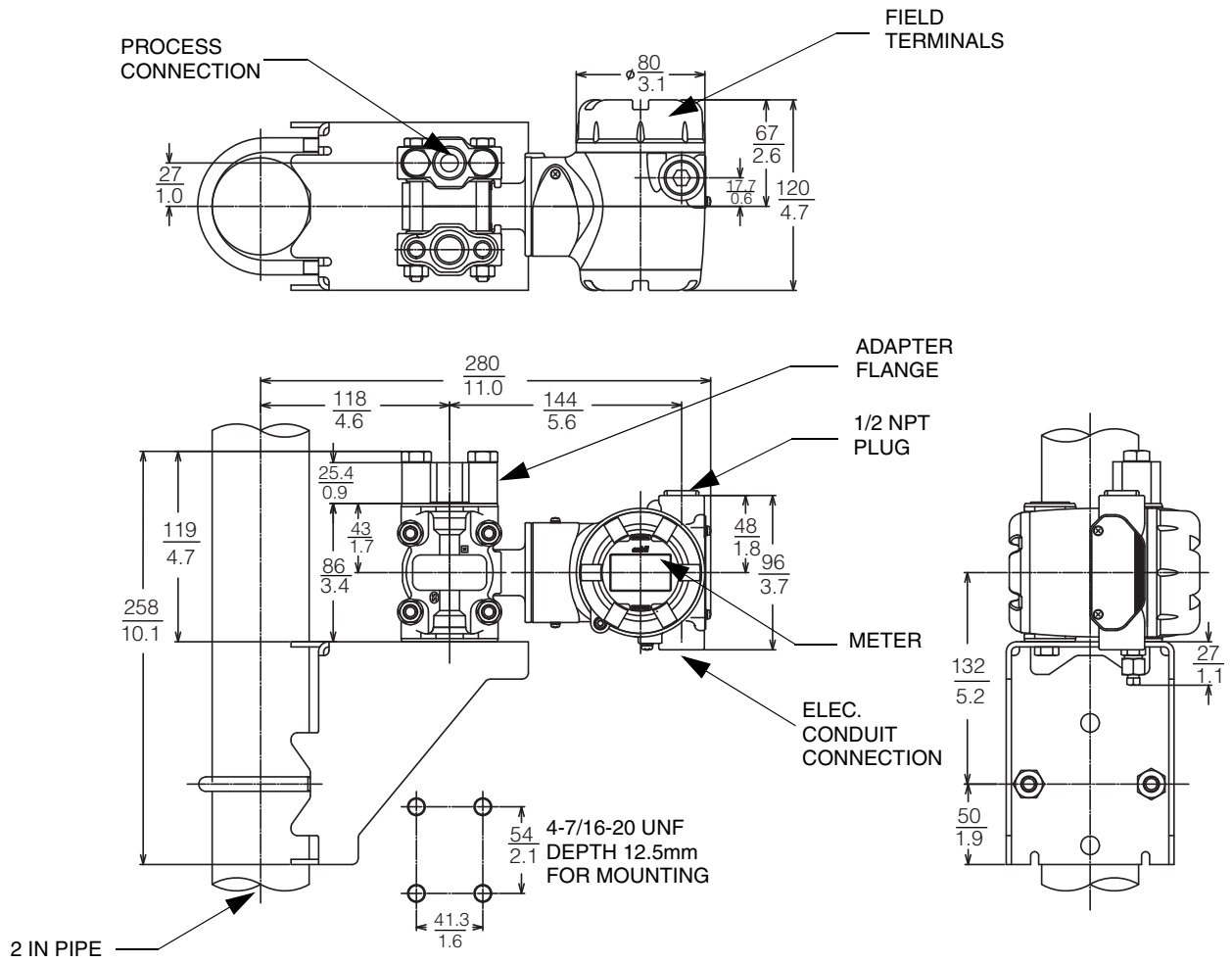
MODEL IGP60G - 316 SST, ASTM B575

PROCESS CONNECTION - FRONT VIEW



MODEL IGP60G - 316 SST, ASTM B575

PROCESS CONNECTION - TOP VIEW



Invensys Operations Management
5601 Granite Parkway Suite 1000
Plano, TX 75024
United States of America
<http://www.iom.invensys.com>

Global Customer Support
Inside U.S.: 1-866-746-6477
Outside U.S.: 1-508-549-2424 or contact
your local Invensys representative.
Email: iom.support@invensys.com
Website: <http://support.ips.invensys.com>

Invensys, Foxboro, and I/A Series are trademarks of Invensys plc,
its subsidiaries, and affiliates.
All other brand names may be trademarks of their respective
owners.

Copyright 2011 Invensys Systems, Inc.
All rights reserved

MB 190

0211