

I/A Series® Pressure Transmitters

Model IGP10 Direct Connected Gauge Pressure Transmitter

Model IAP10 Direct Connected Absolute Pressure Transmitter

Model IGP20 Bracket Mounted Gauge Pressure Transmitter

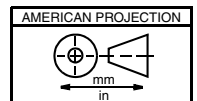
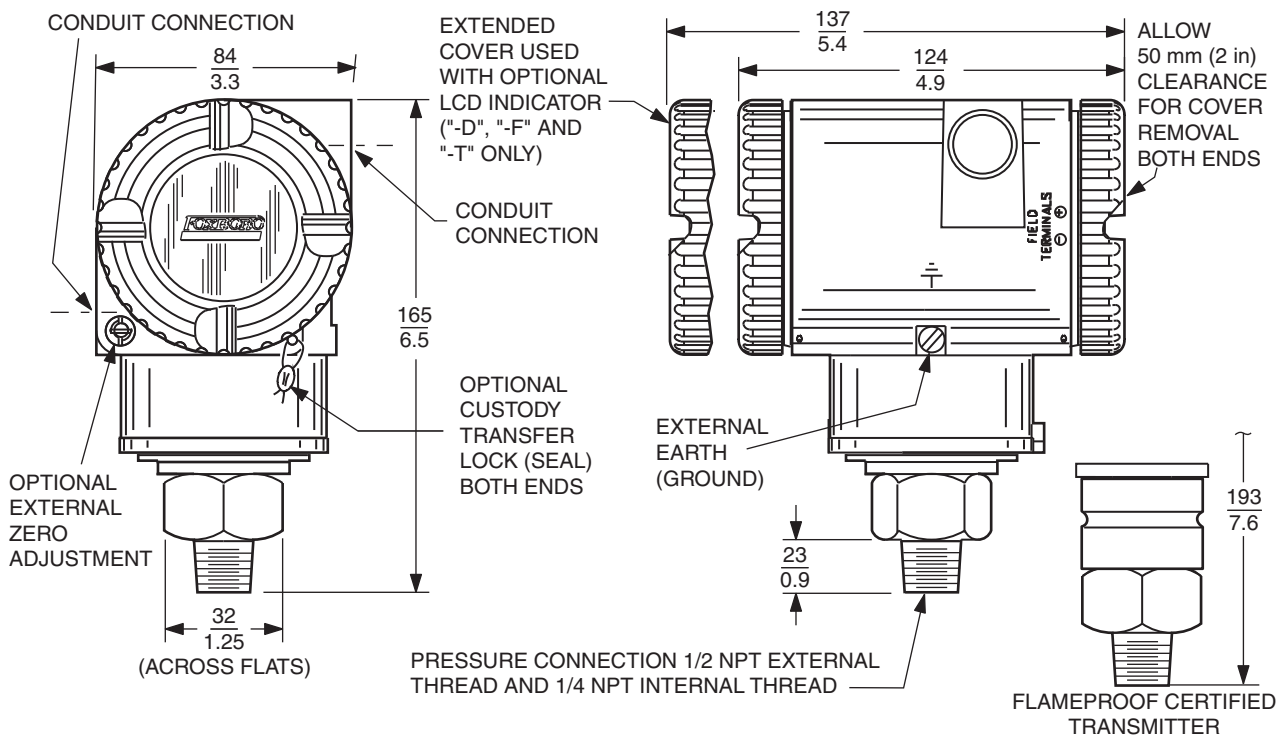
Model IAP20 Bracket Mounted Absolute Pressure Transmitter

Model IGP25 and IGP50 Direct Connected Gauge Pressure Transmitters

GENERAL NOTES COMMON TO ELECTRONICS HOUSING (TOPWORKS) OF ALL TRANSMITTERS

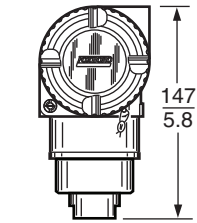
1. REPLACEABLE/INTERCHANGEABLE ELECTRONICS MODULE DETERMINES THE ELECTRONICS VERSION AND OUTPUT SIGNAL.
2. TOPWORKS CAN BE ROTATED TO ANY POSITION WITHIN ONE TURN COUNTERCLOCKWISE OF THE FULLY TIGHTENED POSITION.
3. CONDUIT CONNECTIONS (TWO) ARE EITHER 1/2 NPT, M20 OR PG 13.5. PLUG UNUSED CONNECTION WITH METAL PLUG SUPPLIED BY FOXBORO.

IAP10, IGP10, IGP25, AND IGP50 DIRECT CONNECTED TRANSMITTERS (SEE PAGES 3 AND 4 FOR IAP20 AND IGP20 TRANSMITTERS)

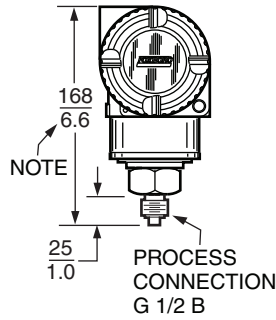


For dimensional information specific to your sales order, refer to Certified Dimensional Prints (CDPs) which can be ordered from your Foxboro Sales Office or authorized factory representative.

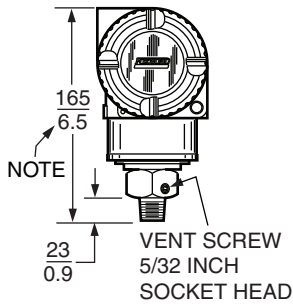
IGP10-...G, H, K
HIGH PRESSURE
TRANSMITTER



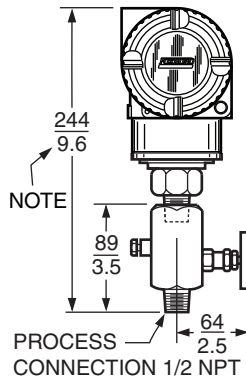
IAP10/IGP10/IGP25
PROCESS
CONNECTION
OPTION -G



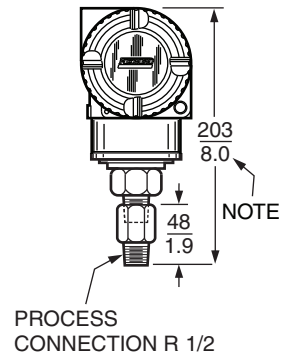
IAP10/IGP10/IGP25
VENT SCREW IN
PROCESS CONNECTOR
OPTION -V1



IAP10/IGP10/IGP25/IGP50
BLOCK AND BLEED
VALVE OPTIONS
-V2, -V3, OR -V4



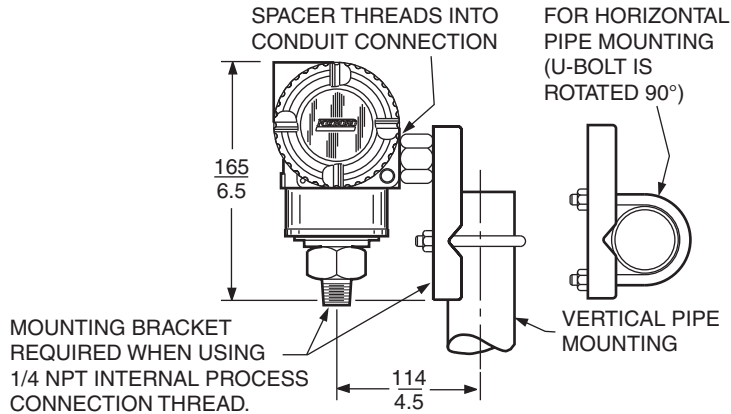
IAP10/IGP10/IGP25/IGP50
METRIC PROCESS
CONNECTOR
OPTION -R



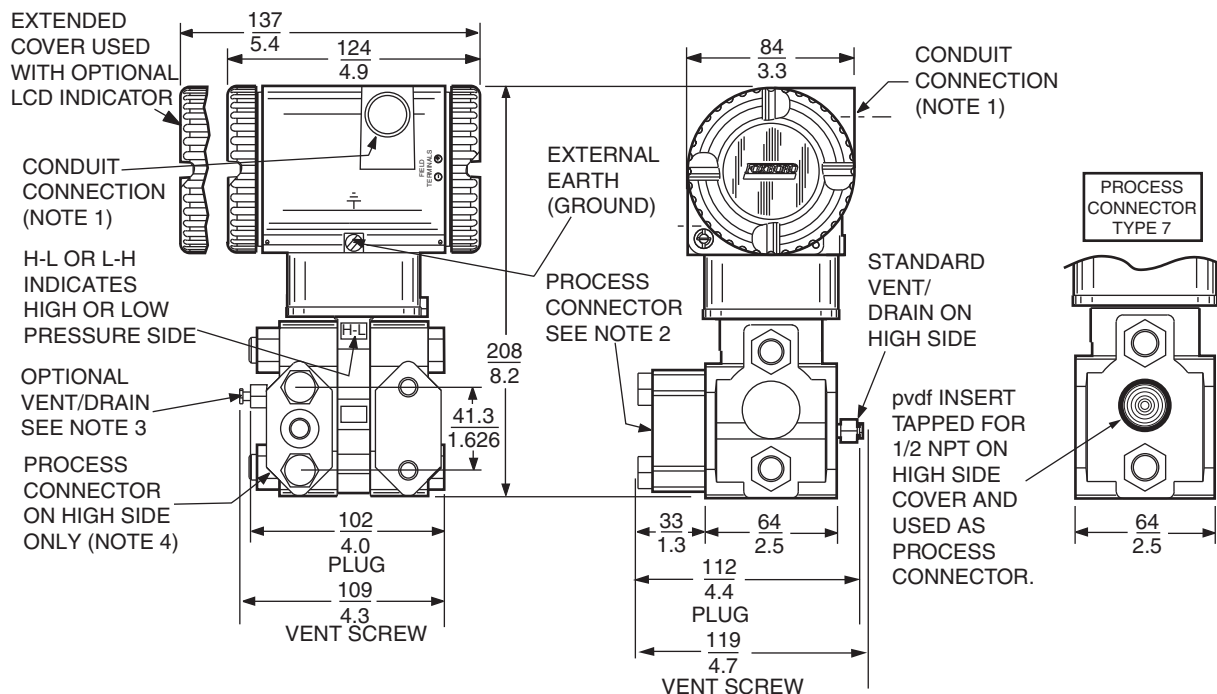
NOTE

1. FOR FLAMEPROOF CERTIFIED TRANSMITTERS, ADD 28 mm (1.1in) TO OVERALL HEIGHT DIMENSION.

IAP10/IGP10/IGP25/IGP50
WITH MOUNTING BRACKET
OPTIONS -M1 TO -M6



IAP20 AND IGP20 BRACKET MOUNTED TRANSMITTERS

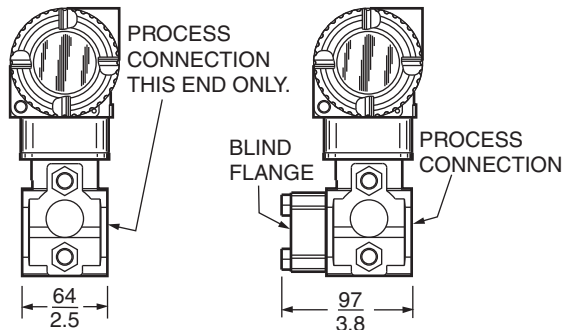


NOTES

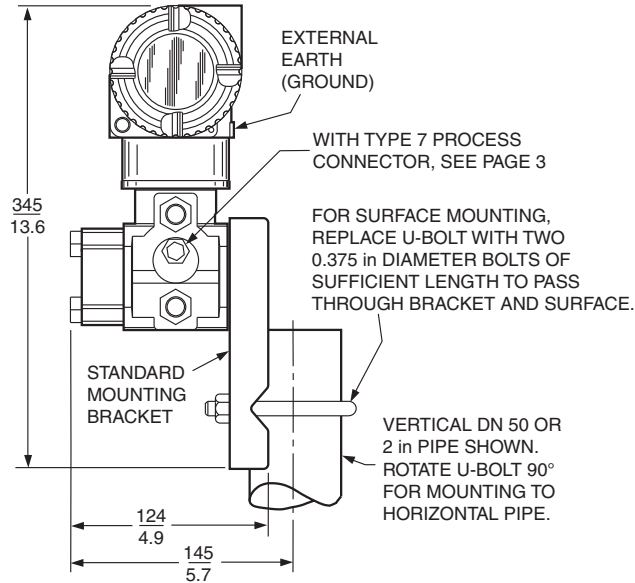
1. CONDUIT CONNECTION 1/2 NPT, PG 13.5, OR M20, BOTH SIDES: PLUG UNUSED CONNECTION WITH METAL PLUG (SUPPLIED).
2. PROCESS CONNECTOR CAN BE REMOVED AND CONNECTION MADE DIRECTLY TO PROCESS COVER USING 1/4 NPT INTERNAL THREAD IN PROCESS COVER. NOTE THAT WITH PROCESS CONNECTION CODE "0", THERE IS NO CONNECTOR.
3. PROCESS COVER CAN BE INVERTED MAKING OPTIONAL SIDE VENT A SIDE DRAIN.
4. FOR USERS WHO DESIRE THE PROCESS CONNECTOR ON THE RIGHT SIDE, ROTATE TRANSMITTER 180° AND RELOCATE PROCESS CONNECTOR (AND VENT SCREW, IF APPLICABLE).
5. TOPWORKS ROTATABLE TO ANY POSITION WITHIN ONE TURN COUNTERCLOCKWISE OF FULLY TIGHTENED POSITION.
6. DO NOT USE THE 1/4 NPT INTERNAL THREAD TO DIRECT-CONNECT THE TRANSMITTER WITHOUT A MOUNTING BRACKET.

IAP20/IGP20 WITH DIN CONSTRUCTION OPTIONS

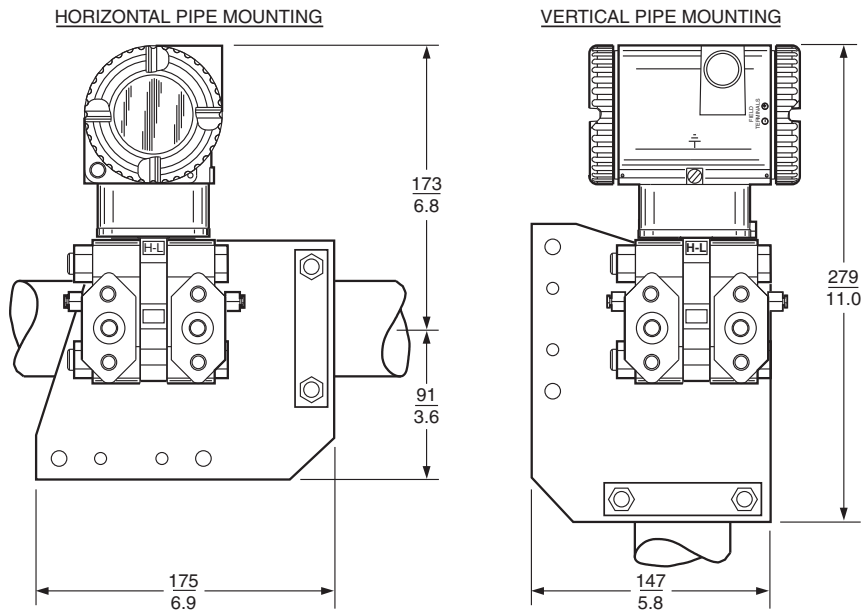
SINGLE ENDED PROCESS COVER OPTIONS	DOUBLE ENDED PROCESS COVER OPTIONS
-D1, -D3, -D5, -D7	-D2, -D4, -D6, -D8



IAP20/IGP20
WITH STANDARD MOUNTING
BRACKET OPTIONS -M1 AND -M2



IAP20/IGP20 WITH
UNIVERSAL MOUNTING BRACKET



Invensys Operations Management
5601 Granite Parkway Suite 1000
Plano, TX 75024
www.iom.invensys.com

Global Client Support
Inside U.S.: 1-866-746-6477
Outside U.S.: 1-508-549-2424 or contact
your local Foxboro representative.
Website: <http://support.ips.invensys.com>

Invensys, Foxboro, and I/A Series are trademarks of Invensys plc, its subsidiaries, and affiliates. All other brand names may be trademarks of their respective owners.

Copyright 1999-2012 Invensys Systems, Inc.
All rights reserved