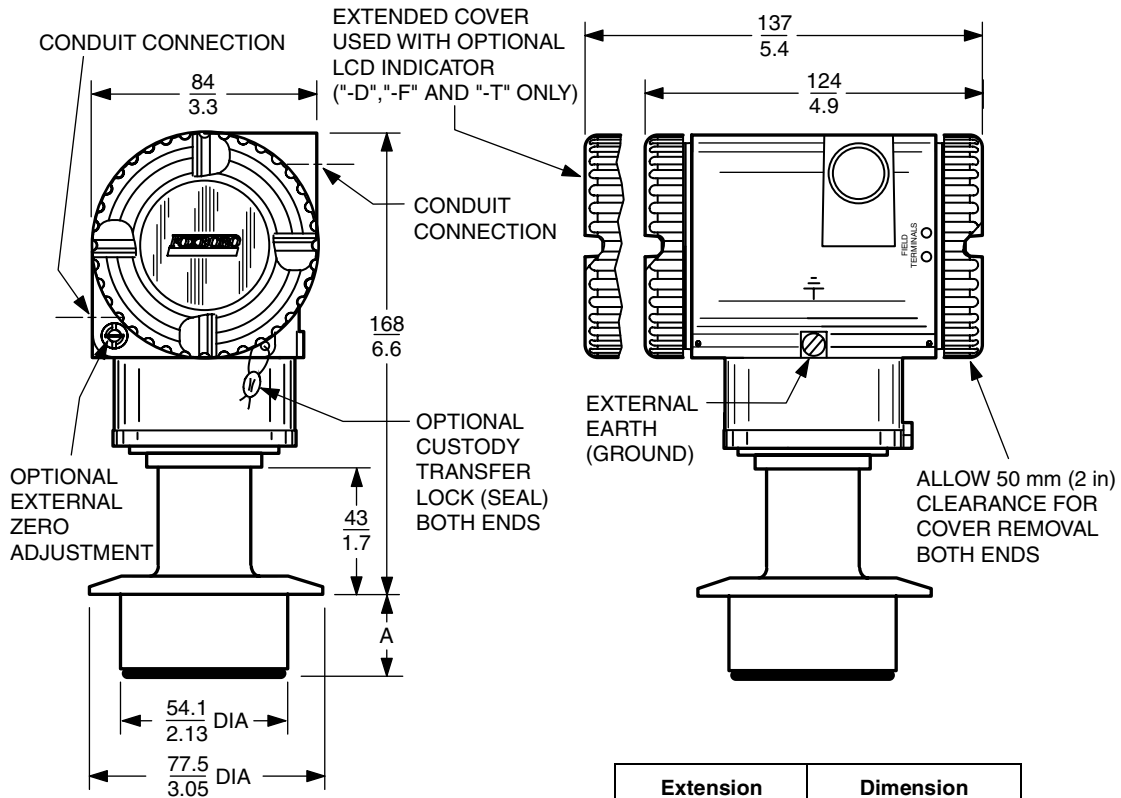


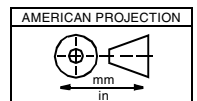
# I/A Series<sup>®</sup> Sanitary Gauge or Absolute Pressure Transmitters with Mini Tank Spud Seal

GENERAL NOTES COMMON TO ELECTRONICS HOUSING (TOPWORKS) OF ALL TRANSMITTERS

1. REPLACEABLE/INTERCHANGEABLE ELECTRONICS MODULE DETERMINES THE ELECTRONICS VERSION AND OUTPUT SIGNAL.
2. TOPWORKS CAN BE ROTATED TO ANY POSITION WITHIN ONE TURN COUNTERCLOCKWISE OF THE FULLY TIGHTENED POSITION.
3. CONDUIT CONNECTIONS (TWO) ARE 1/2 NPT OR PG 13.5. PLUG UNUSED CONNECTION WITH METAL PLUG SUPPLIED BY FOXBORO.
4. PROCESS CONNECTION IS 2 1/2-inch Tri-Clamp.



Extension (nominal)	Dimension A
1 1/2 inch	38.1 mm (1.50 in)
6 inch	152.4 mm (6.00 in)
9 inch	228.6 mm (9.00 in)



For dimensional information specific to your sales order, refer to Certified Dimensional Prints (CDPs) which can be ordered from your Foxboro Sales Office or authorized factory representative.

33 Commercial Street  
Foxboro, MA 02035-2099  
United States of America  
[www.foxboro.com](http://www.foxboro.com)  
Inside U.S.: 1-866-746-6477  
Outside U.S.: 1-508-549-2424  
or contact your local Foxboro  
representative.  
Facsimile: 1-508-549-4999

Invensys, Foxboro, and I/A Series are trademarks of Invensys plc, its subsidiaries, and affiliates.  
All other brand names may be trademarks of their respective owners.

Copyright 2003 Invensys Systems, Inc.  
All rights reserved

MB 190

Printed in U.S.A

0403