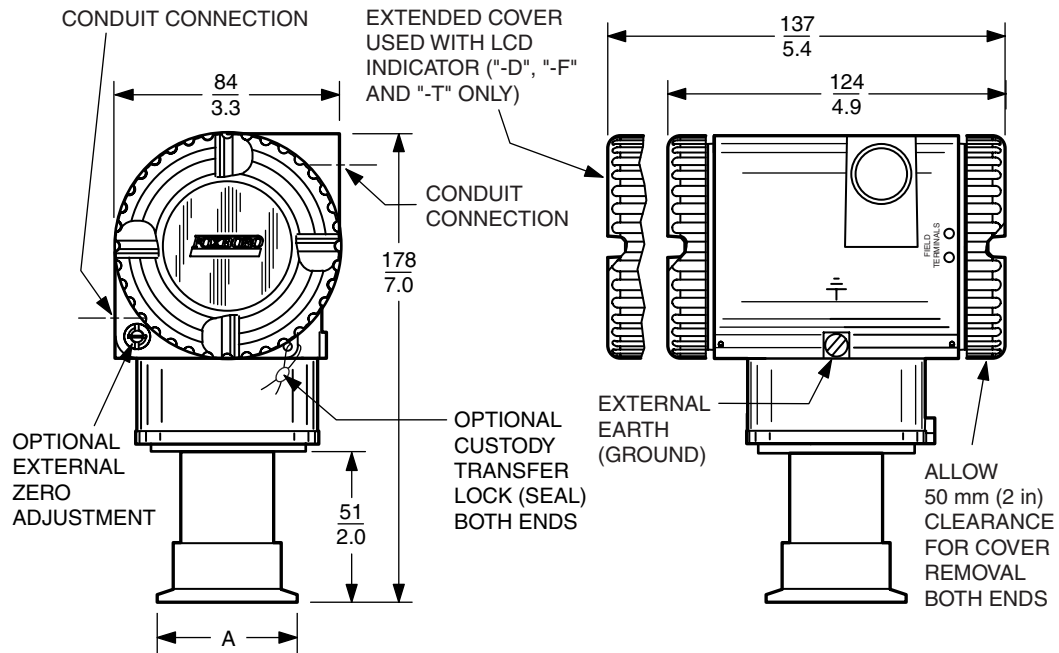


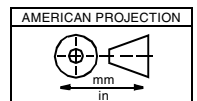
I/A Series[®] Sanitary Pressure Transmitters with 1 1/2-, 2-, and 3-inch Tri-Clamp Process Connection

GENERAL NOTES COMMON TO ELECTRONICS HOUSING (TOPWORKS) OF ALL TRANSMITTERS

1. REPLACEABLE/INTERCHANGEABLE ELECTRONICS MODULE DETERMINES THE ELECTRONICS VERSION AND OUTPUT SIGNAL.
2. TOPWORKS CAN BE ROTATED TO ANY POSITION WITHIN ONE TURN COUNTERCLOCKWISE OF THE FULLY TIGHTENED POSITION.
3. CONDUIT CONNECTIONS (TWO) ARE 1/2 NPT OR PG 13.5. PLUG UNUSED CONNECTION WITH METAL PLUG SUPPLIED BY FOXBORO.



Tri-Clamp Connection	Dimension A
1 1/2 inch	50.8 mm (2.00 in)
2 inch	63.5 mm (2.50 in)
3 inch	90.9 mm (3.58 in)



For dimensional information specific to your sales order, refer to Certified Dimensional Prints (CDPs) which can be ordered from your Foxboro Sales Office or authorized factory representative.

33 Commercial Street
Foxboro, MA 02035-2099
United States of America
www.foxboro.com
Inside U.S.: 1-866-746-6477
Outside U.S.: 1-508-549-2424
or contact your local Foxboro
representative.
Facsimile: 1-508-549-4999

Invensys, Foxboro, and I/A Series are trademarks of Invensys plc, its subsidiaries, and affiliates.
All other brand names may be trademarks of their respective owners.

Copyright 2003 Invensys Systems, Inc.
All rights reserved

MB 190

Printed in U.S.A

0403