

I/A Series[®] Pressure S Series Transmitters

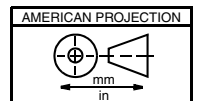
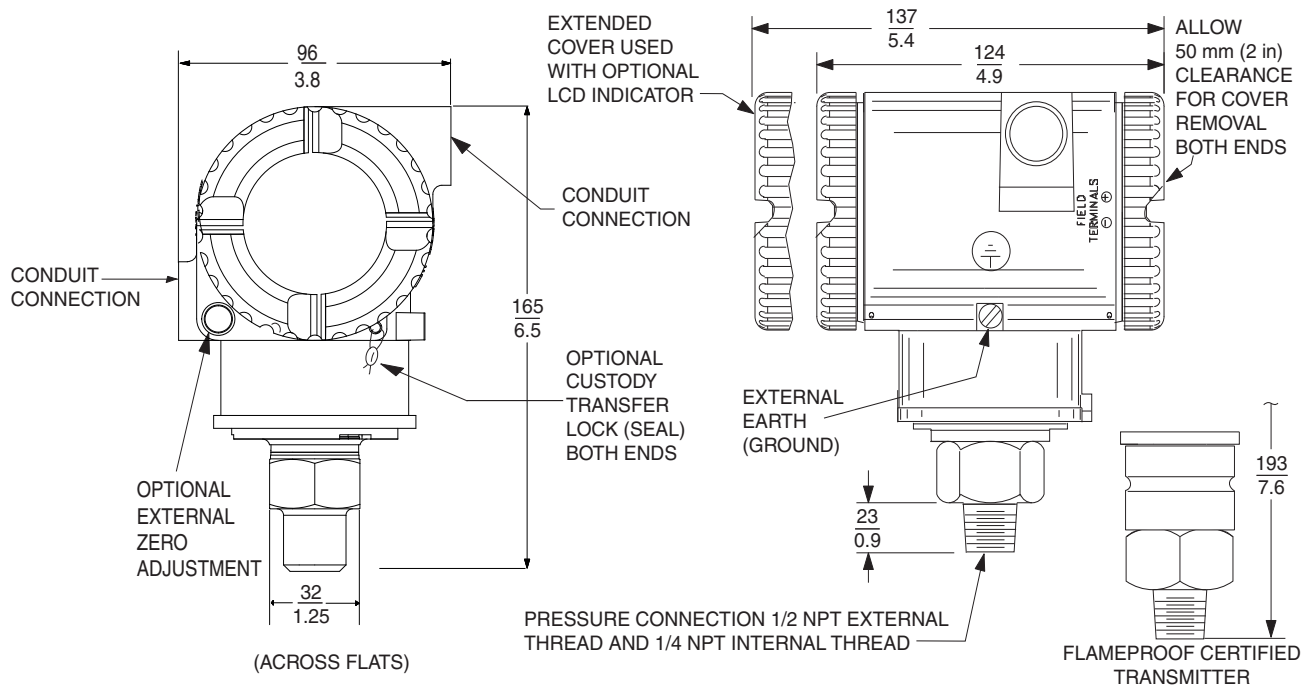
Model IGP10S Direct Connected Gauge Pressure Transmitter

Model IAP10S Direct Connected Absolute Pressure Transmitter

GENERAL NOTES COMMON TO ELECTRONICS HOUSING (TOPWORKS) OF ALL TRANSMITTERS

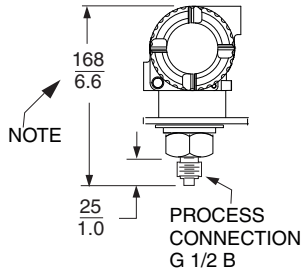
1. REPLACEABLE/INTERCHANGEABLE ELECTRONICS MODULE DETERMINES THE ELECTRONICS VERSION AND OUTPUT SIGNAL.
2. TOPWORKS CAN BE ROTATED TO ANY POSITION WITHIN ONE TURN COUNTERCLOCKWISE OF THE FULLY TIGHTENED POSITION.
3. CONDUIT CONNECTIONS (TWO) ARE EITHER 1/2 NPT OR M20; PLUG UNUSED CONNECTION WITH METAL PLUG SUPPLIED BY INVENSYS.

IAP10S AND IGP10S DIRECT CONNECTED TRANSMITTERS

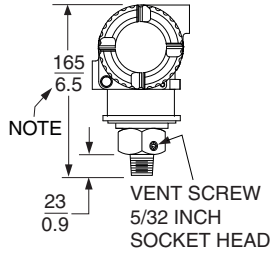


For dimensional information specific to your sales order, refer to Certified Dimensional Prints (CDPs) which can be ordered from your Foxboro Sales Office or authorized factory representative.

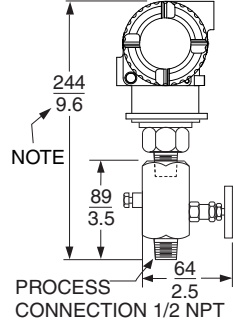
IAP10S/IGP10S
PROCESS
CONNECTION
OPTION -G



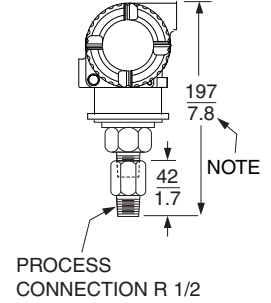
IAP10S/IGP10S
VENT SCREW IN
PROCESS CONNECTOR
OPTION -V1



IAP10S/IGP10S
BLOCK AND BLEED
VALVE OPTIONS
-V2, -V3, OR -V4



IAP10S/IGP10S
METRIC PROCESS
CONNECTOR
OPTION -R

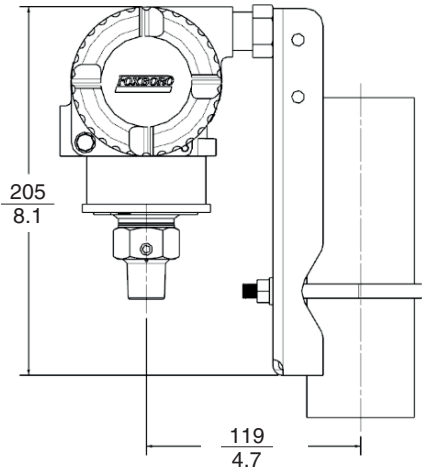


NOTE

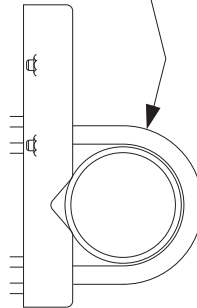
1. FOR FLAMEPROOF CERTIFIED TRANSMITTERS, ADD 28 mm (1.1in) TO OVERALL HEIGHT DIMENSION.

IAP10S/IGP10S
WITH MOUNTING BRACKET
OPTIONS -M1, -M2, -M5, and -M6

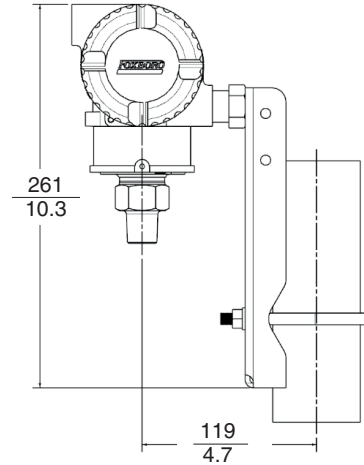
MOUNTED TO
TOP CONDUIT



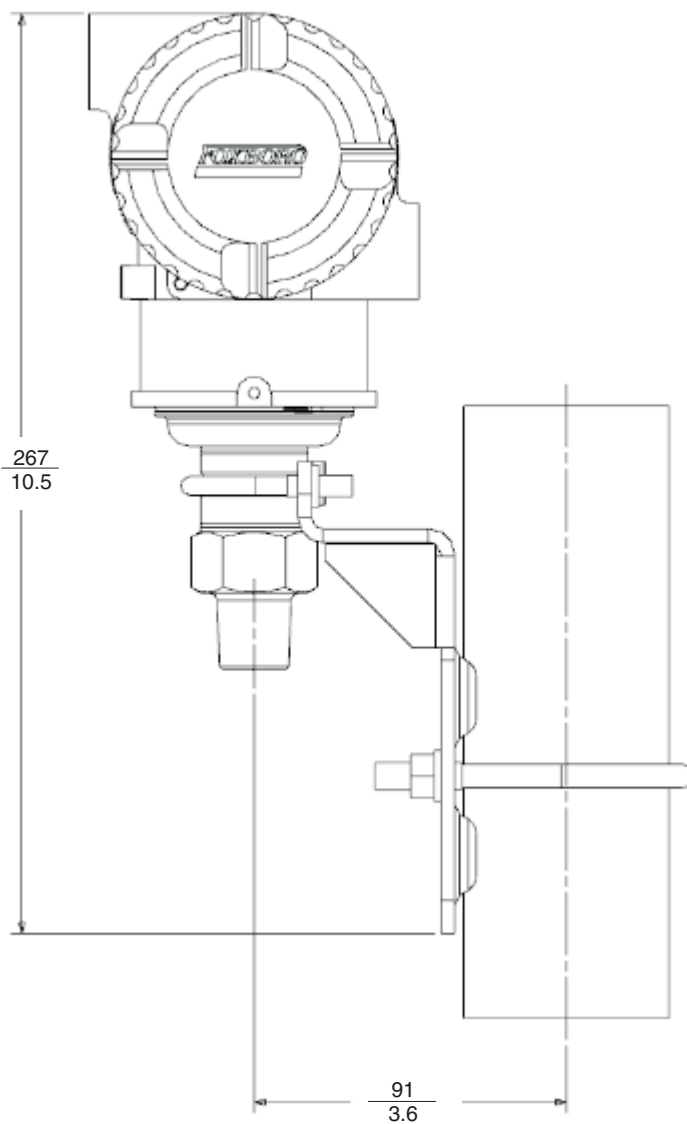
FOR HORIZONTAL
PIPE MOUNTING
(U-BOLT IS
ROTATED 90°)



MOUNTED TO
BOTTOM CONDUIT



IAP10S/IGP10S
WITH MOUNTING BRACKET
OPTIONS -M7 and -M8



Invensys
10900 Equity Drive
Houston, TX 77041
United States of America
<http://www.iom.invensys.com>

Global Customer Support
Inside U.S.: 1-866-746-6477
Outside U.S.: 1-508-549-2424 or contact
your local Invensys representative.
Website: <http://support.ips.invensys.com>

Invensys, Foxboro, and I/A Series are trademarks of Invensys plc,
its subsidiaries, and affiliates.
All other brand names may be trademarks of their respective
owners.

Copyright 2013 Invensys Systems, Inc.
All rights reserved

MB 190