

873 and 873A Series Electrochemical Analyzers

873PH/ORP Analyzer

873APH pH Analyzer

873CC and 873ACC Contacting Conductivity Analyzers

873EC and 873AEC Electrodeless Conductivity Analyzers

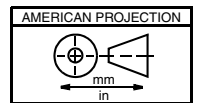
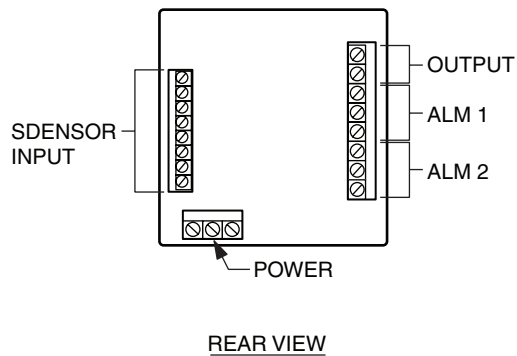
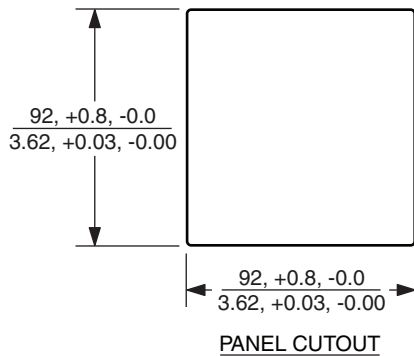
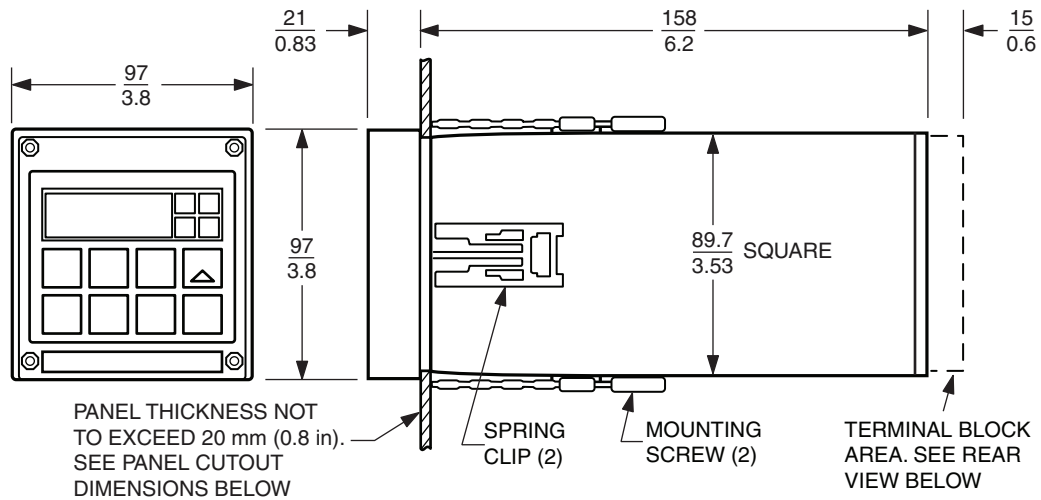
873RS and 873ARS Resistivity Analyzers

873DO Dissolved Oxygen Analyzer

873DPX Dual pH/ORP/ISE Analyzer

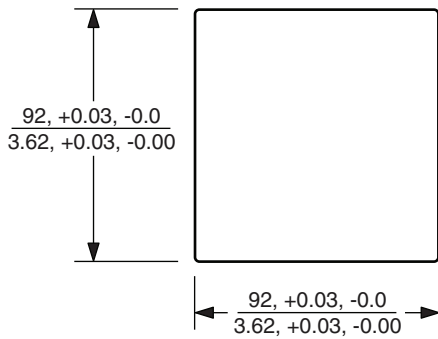
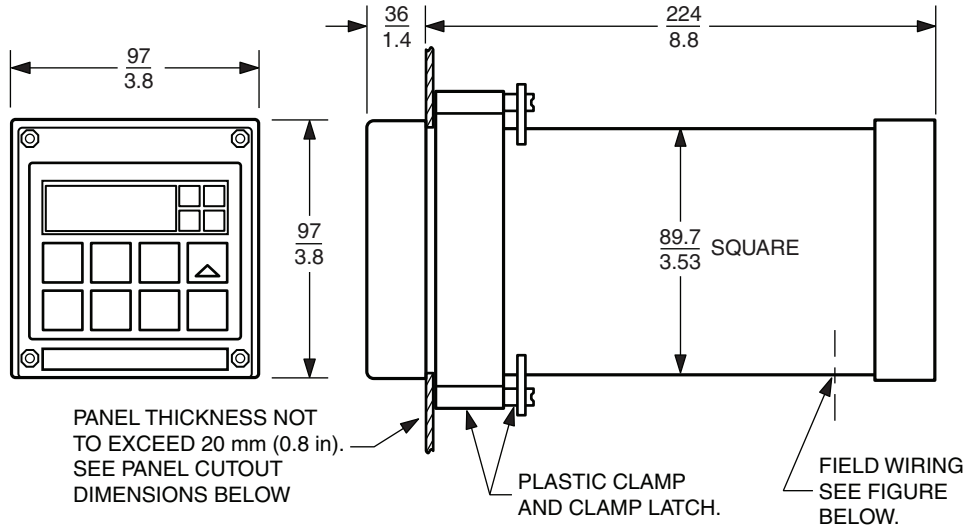
GENERAL PURPOSE ENCLOSURE - PANEL MOUNTING

(For Field Enclosure, see Pages 2, 3, and 4.)

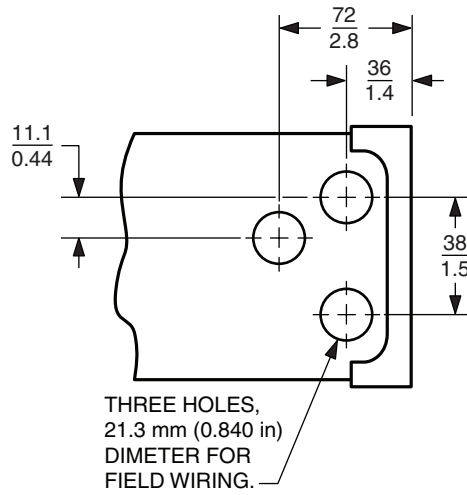


For dimensional information specific to your sales order, refer to Certified Dimensional Prints (CDPs) which can be ordered from your Foxboro Sales Office or authorized factory representative.

FIELD ENCLOSURE - PANEL MOUNTING
(For Surface and Pipe Mounting, see Pages 3, and 4.)



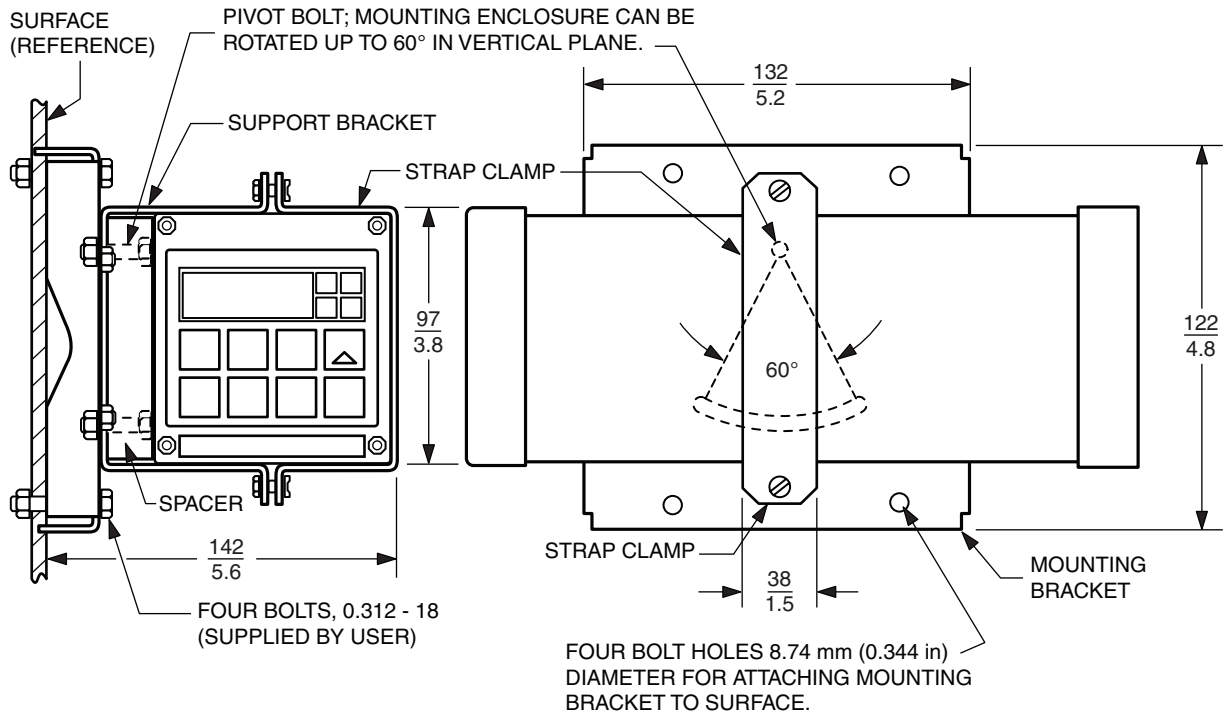
PANEL CUTOUT



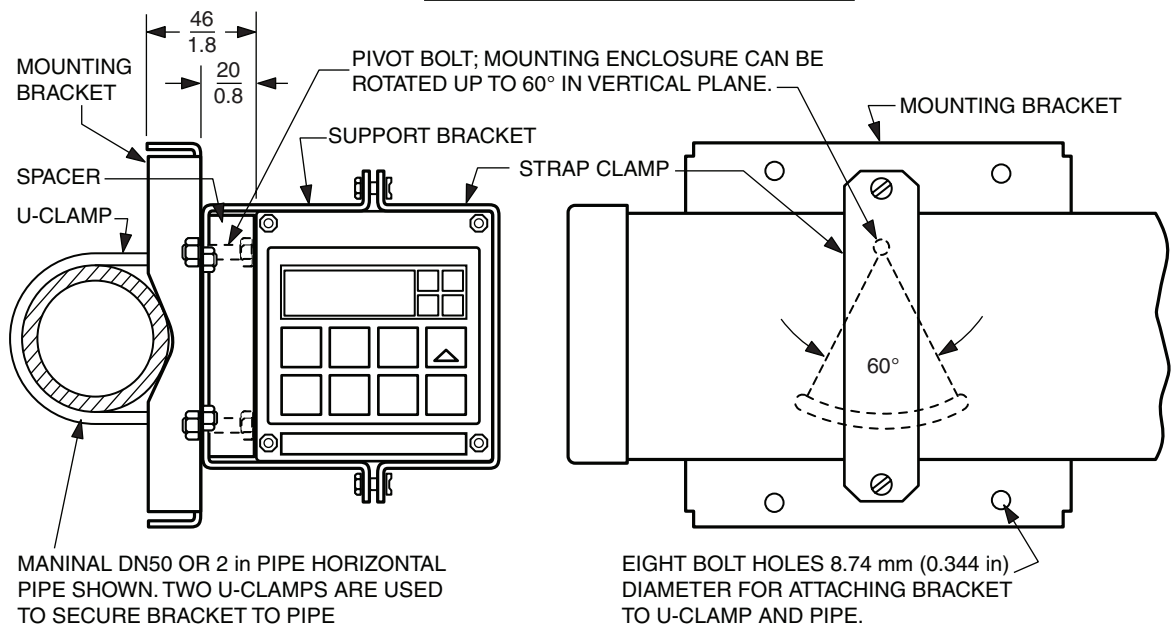
BOTTOMVIEW

NOTE
DIMENSIONS AND FIELD WIRING HOLES ARE THE SAME FOR ALL FIELD ENCLOSURES

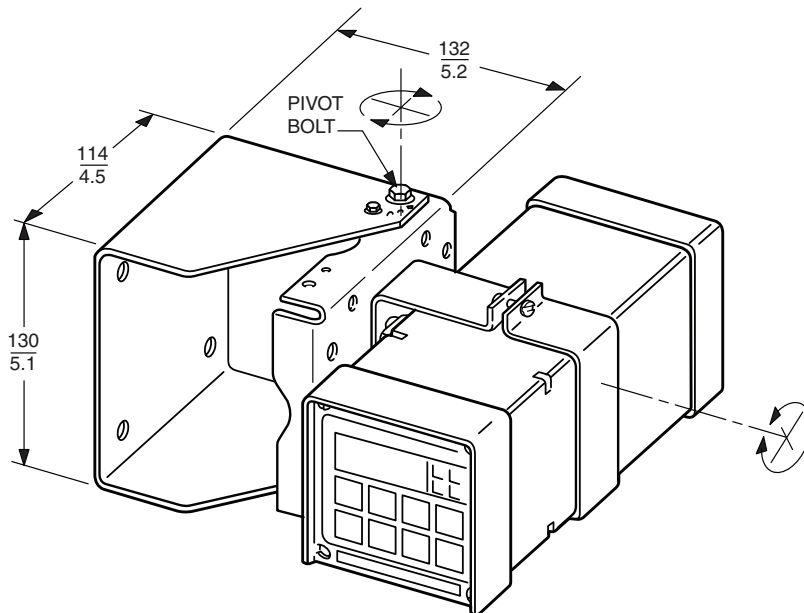
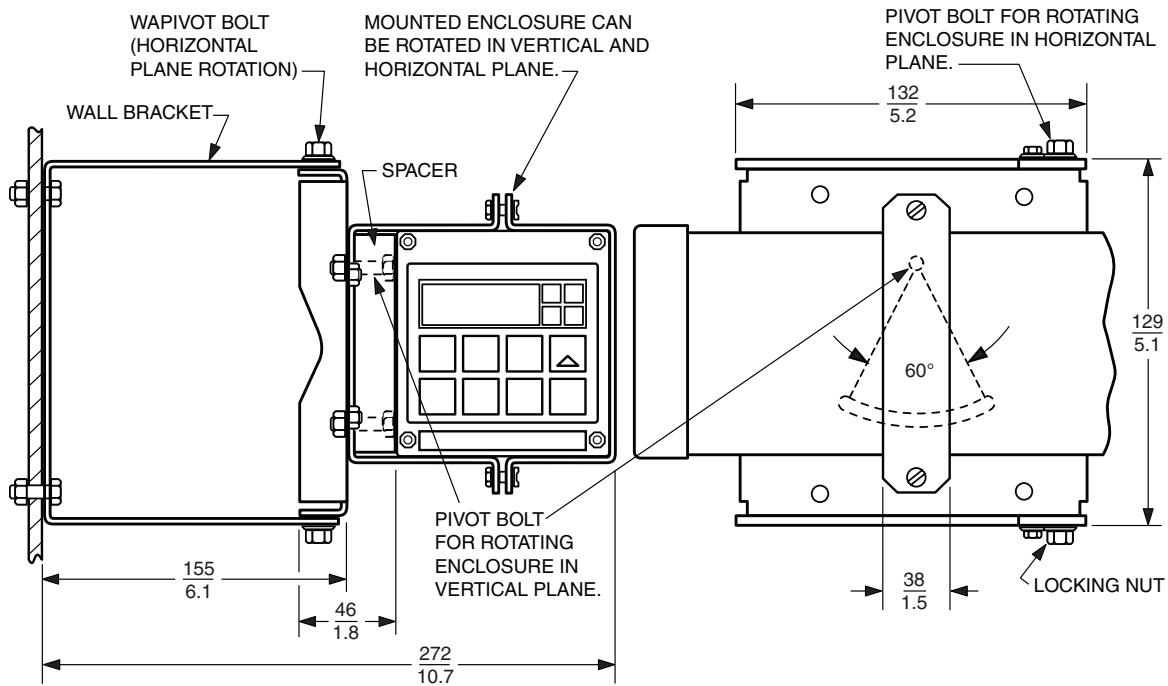
FIELD ENCLOSURE - SURFACE MOUNTING - FIXED



FIELD ENCLOSURE - PIPE MOUNTING



FIELD ENCLOSURE - SURFACE MOUNTING - MOVABLE



Revised to electronic format June 2008

33 Commercial Street
 Foxboro, MA 02035-2099
 United States of America
 www.foxboro.com
 Inside U.S.: 1-866-746-6477
 Outside U.S.: 1-508-549-2424
 or contact your local Foxboro
 representative.
 Facsimile: 1-508-549-4999

Invensys and Foxboro are trademarks of Invensys plc, its subsidiaries, and affiliates.
 All other brand names may be trademarks of their respective owners.

Copyright 1995-2008 Invensys Systems, Inc.
 All rights reserved

MB 123

Printed in U.S.A

0608