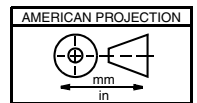
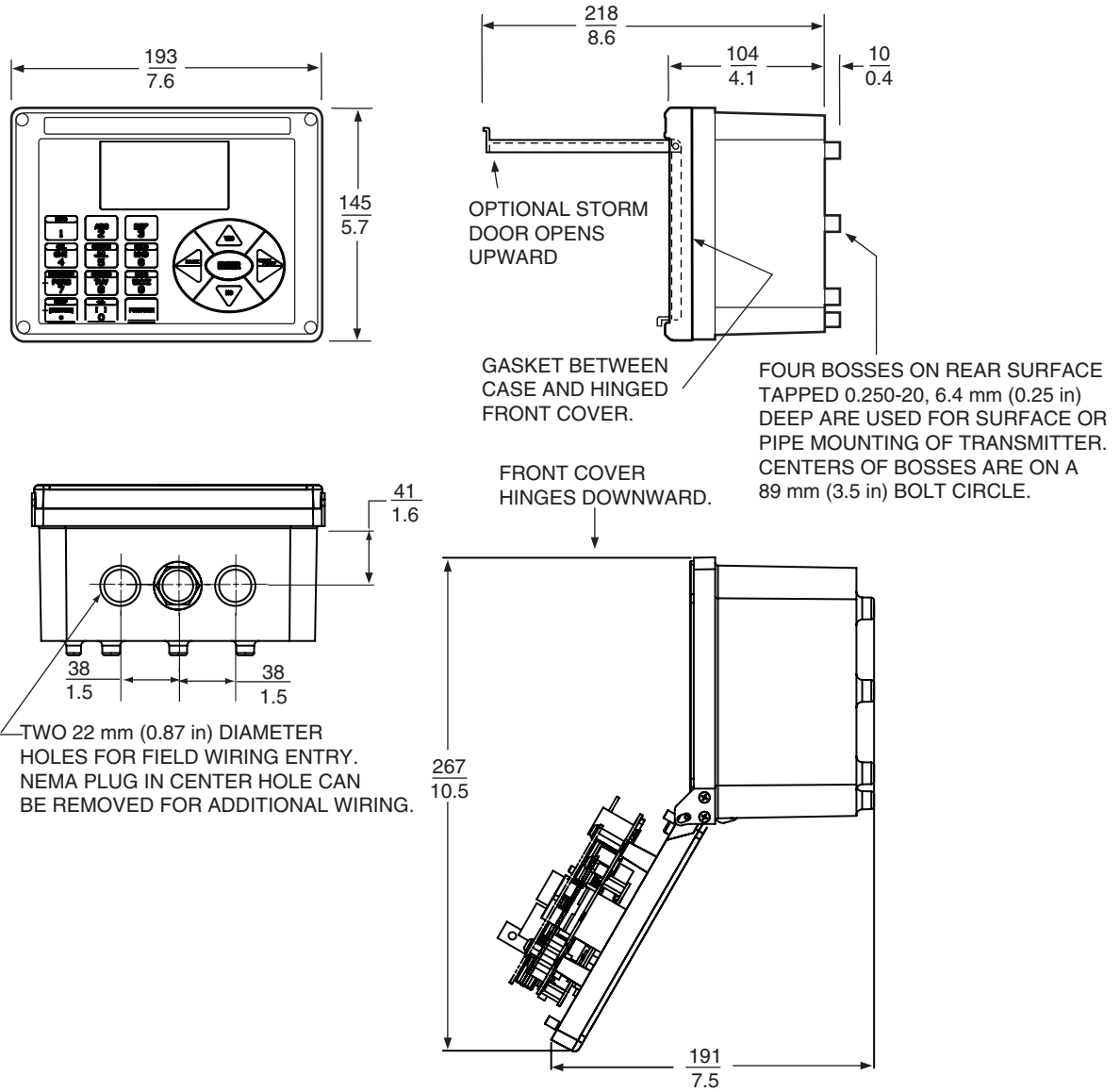
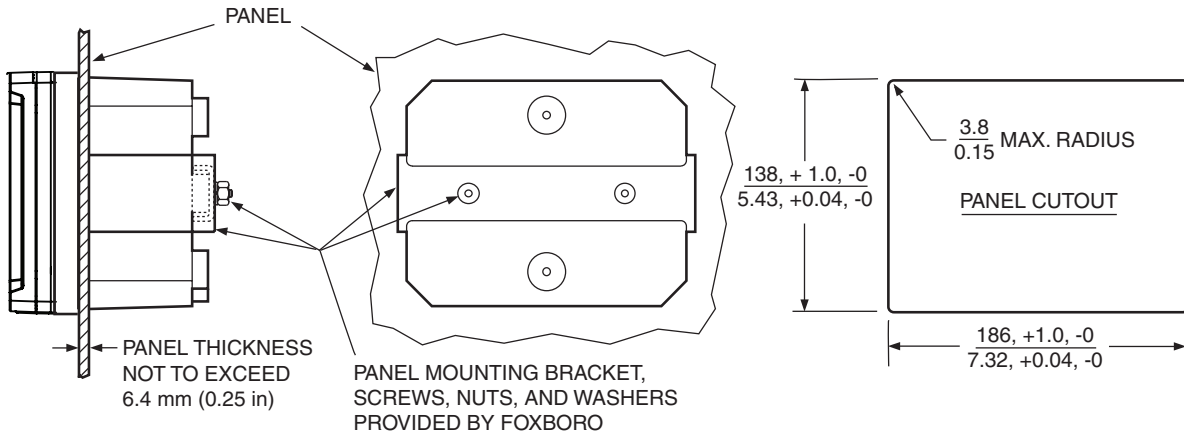


# Model 876PH, 876EC, and 876CR Intelligent Transmitters with HART Communications

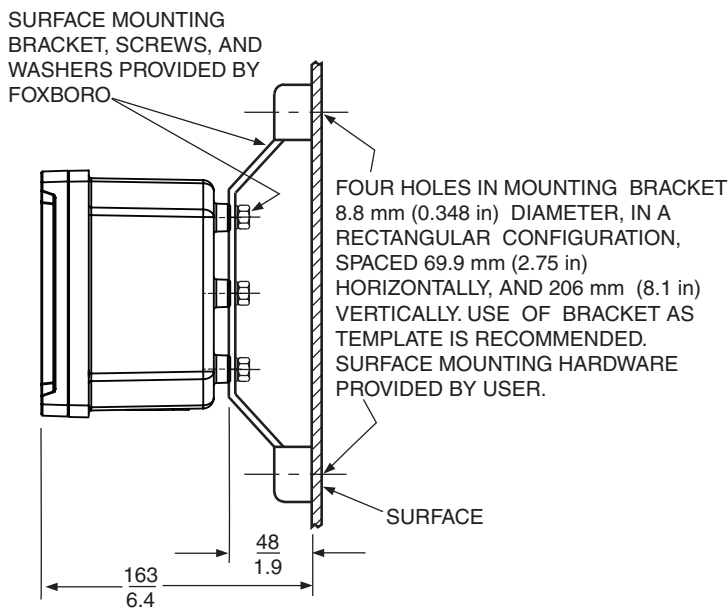


For dimensional information specific to your sales order, refer to Certified Dimensional Prints (CDPs) which can be ordered from your Foxboro Sales Office or authorized factory representative.

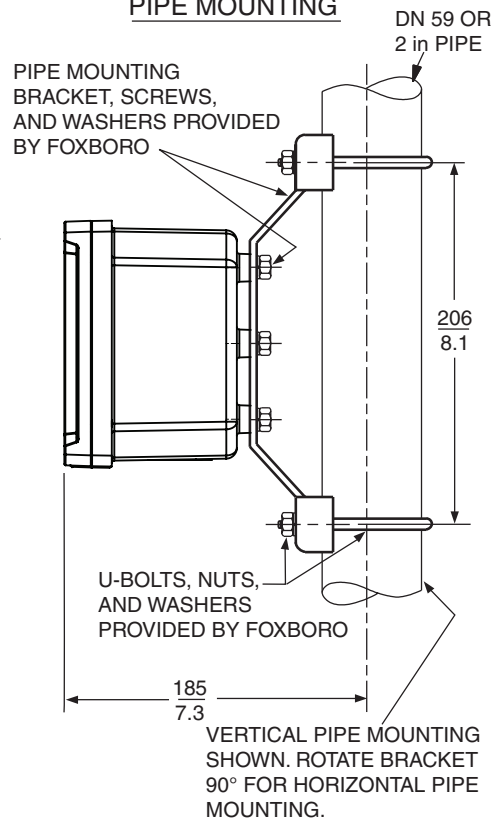
**PANEL MOUNTING**



**SURFACE MOUNTING**



**PIPE MOUNTING**



Invensys Operations Management  
5601 Granite Parkway Suite 1000  
Plano, TX 75024  
United States of America  
<http://www.iom.invensys.com>

Global Customer Support  
Inside U.S.: 1-866-746-6477  
Outside U.S.: 1-508-549-2424 or contact  
your local Invensys representative.  
Email: [support@invensys.com](mailto:support@invensys.com)  
Website: <http://support.ips.invensys.com>

Invensys and Foxboro are trademarks of Invensys plc, its subsidiaries, and affiliates.  
All other brand names may be trademarks of their respective owners.

Copyright 2010 Invensys Systems, Inc.  
All rights reserved