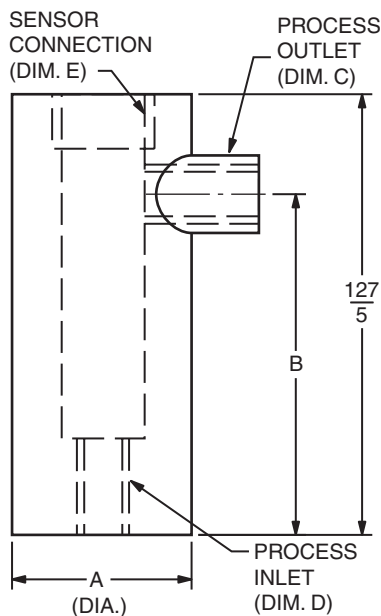


# 871CR Series

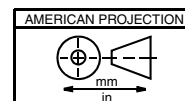
## Contacting Conductivity/Resistivity Sensors

### Accessories

FLOW CHAMBERS (USED WITH 871CR-A AND 871CR-B SENSORS)

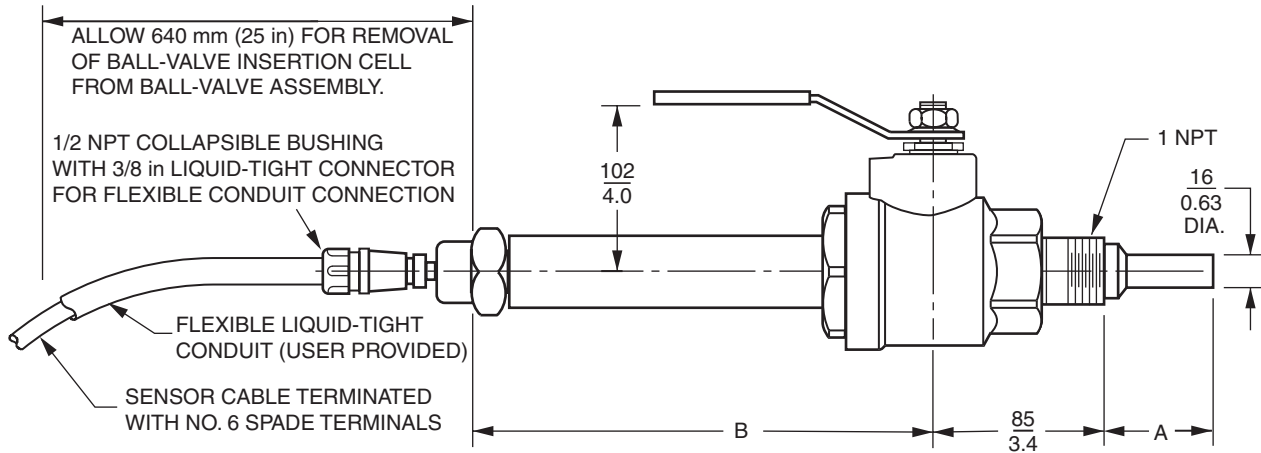


Part Number	Material	Dimensions				
		A	B	C	D	E
BS809SG	VIRGIN PEEK	$\frac{38}{1.5}$	$\frac{98}{3.8}$	1/4 NPT	1/4 NPT	3/4 NPT
0051182	PVC	$\frac{38}{1.5}$	$\frac{105}{4.1}$	1/4 NPT	1/4 NPT	3/4 NPT
BS809SF	CPVC	$\frac{44}{1.8}$	$\frac{94}{3.7}$	1/2 NPT	1/2 NPT	1 NPT
0051180	316 SS	$\frac{38}{1.5}$	$\frac{105}{4.1}$	1/4 NPT	1/4 NPT	3/4 NPT
BS805GR	VIRGIN PVDF	$\frac{44}{1.8}$	$\frac{94}{3.7}$	1/4 NPT	1/4 NPT	3/4 NPT

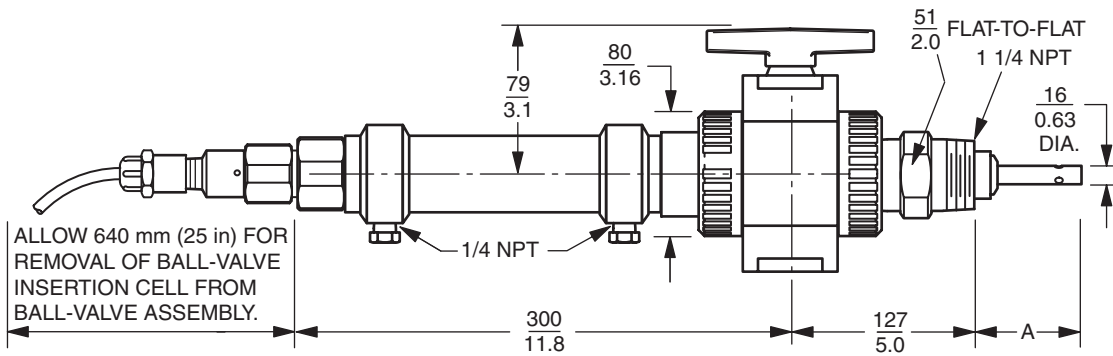


For dimensional information specific to your sales order, refer to Certified Dimensional Prints (CDPs) which can be ordered from your Foxboro Sales Office or authorized factory representative.

1 INCH STAINLESS STEEL (SST) BALL VALVE ASSEMBLY SHOWN WITH SENSOR (See table below.)



1 1/4 INCH PVDF BALL VALVE ASSEMBLY SHOWN WITH SENSOR (See table below.)



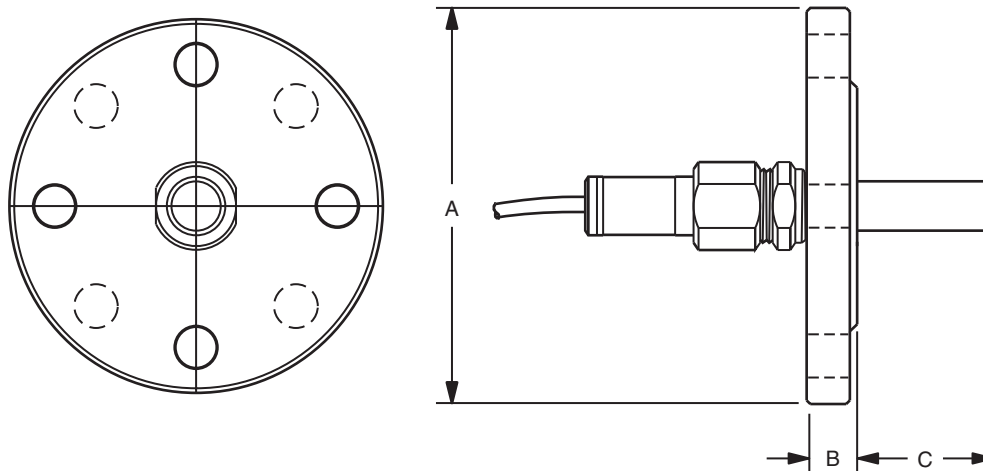
Insertion Length Code	Dimension "A"		
	1 inch SST Valve <sup>(a)</sup>		1 1/4 inch PVDF Valve <sup>(a)</sup>
	871CR-A or -B (0.1 cm <sup>-1</sup> C.F.)	871CR-C (10 cm <sup>-1</sup> C.F.)	871CR-A or -B (0.1 cm <sup>-1</sup> C.F.)
1 <sup>(b)</sup>	56 2.2	86 3.8	51 2.0
4	107 4.2	118 4.7	102 4.0

Dimension B		
Valve Part Number	Standard Length	Extended Length
BS809NJ	215 8.5	---
BS811EN	---	244 9.6

<sup>(a)</sup>Valve can be used with indicated models.  
Cell Factors (C.F.) are shown in parentheses.

<sup>(b)</sup>Standard Insertion Length

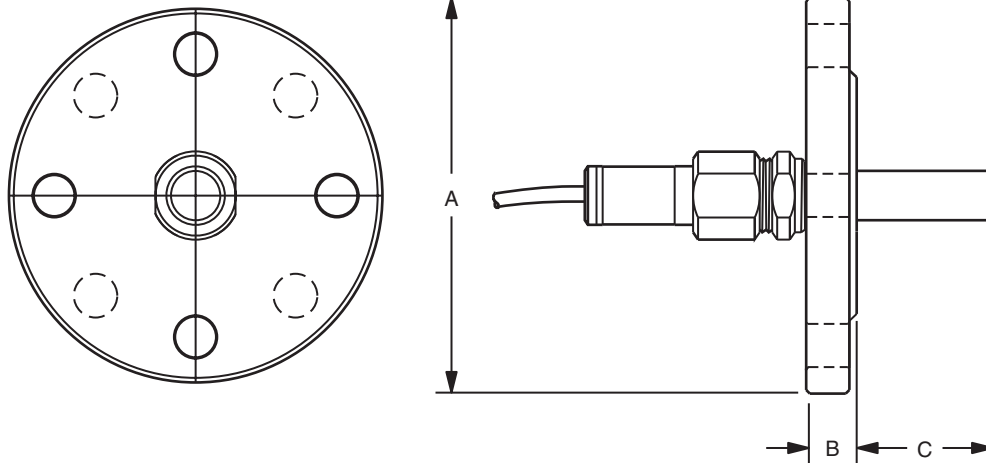
ANSI CLASS 150 MOUNTING FLANGES



Nominal Flange Size	Dimensions								Number of Bolt Holes
	A (Dia.)	B	C						
			871CR-A and -B (0.1 cm <sup>-1</sup> Cell Factor)			871CR-C (10 cm <sup>-1</sup> Cell Factor)			
			Inser. Length Code 1*	Inser. Length Code 4	Inser. Length Code 6	Inser. Length Code 1*	Inser. Length Code 4	Inser. Length Code 6	
2 in	$\frac{152}{6.00}$	$\frac{19}{0.75}$	$\frac{51}{2.0}$	$\frac{102}{4.0}$	$\frac{153}{6.0}$	$\frac{64}{2.5}$	$\frac{97}{3.8}$	$\frac{150}{5.9}$	4
2 1/2 in	$\frac{178}{7.00}$	$\frac{22}{0.88}$	$\frac{48}{1.9}$	$\frac{99}{3.9}$	$\frac{150}{5.9}$	$\frac{61}{2.4}$	$\frac{94}{3.7}$	$\frac{147}{5.8}$	4
4 in	$\frac{229}{9.00}$	$\frac{24}{0.94}$	$\frac{47}{1.8}$	$\frac{97}{3.8}$	$\frac{148}{5.8}$	$\frac{59}{2.3}$	$\frac{92}{3.6}$	$\frac{145}{5.7}$	8

\*Standard Insertion Length

METRIC DN 50 AND DN 100 MOUNTING FLANGES



Nominal Flange Size	Dimensions								Number of Bolt Holes
	A (Dia.)	B	C						
			871CR-A and -B (0.1 cm <sup>-1</sup> Cell Factor)			871CR-C (10 cm <sup>-1</sup> Cell Factor)			
			Inser. Length Code 1*	Inser. Length Code 4	Inser. Length Code 6	Inser. Length Code 1*	Inser. Length Code 4	Inser. Length Code 6	
DN 50	$\frac{165}{6.5}$	$\frac{18}{0.71}$	$\frac{52}{2.1}$	$\frac{103}{4.1}$	$\frac{154}{6.1}$	$\frac{65}{2.6}$	$\frac{98}{3.9}$	$\frac{149}{5.9}$	4
DN 100	$\frac{220}{8.7}$	$\frac{20}{0.79}$	$\frac{50}{2.0}$	$\frac{101}{4.0}$	$\frac{152}{6.0}$	$\frac{63}{2.5}$	$\frac{96}{3.8}$	$\frac{147}{5.8}$	8

\*Standard Insertion Length