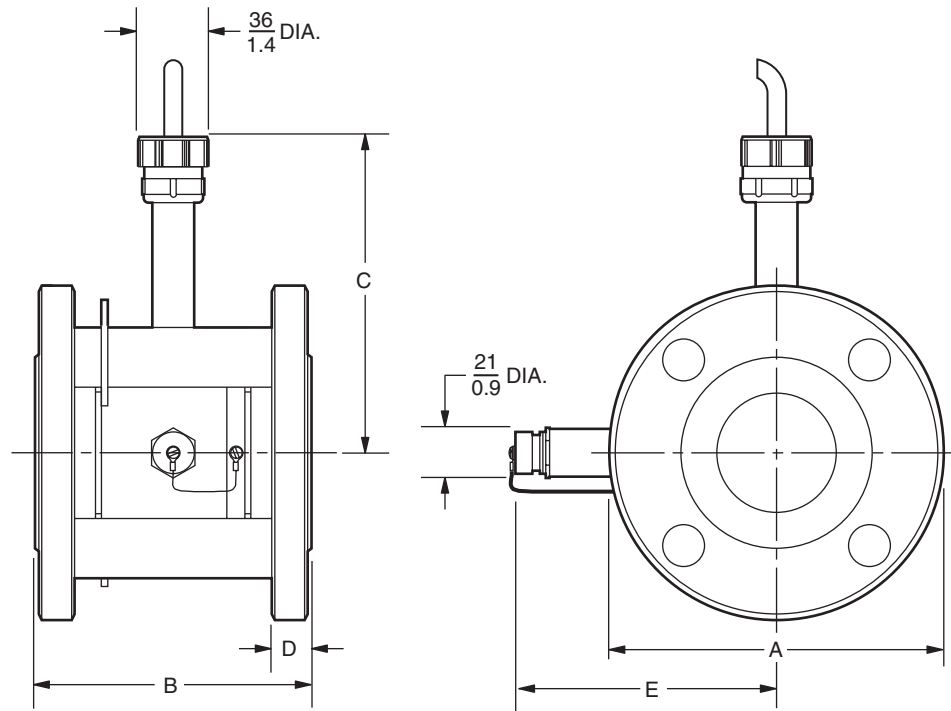
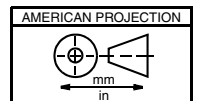


# 871FT Toroidal Flow-Through Conductivity Sensor with Metric PN 16 Flanged End Connections per DIN 2501

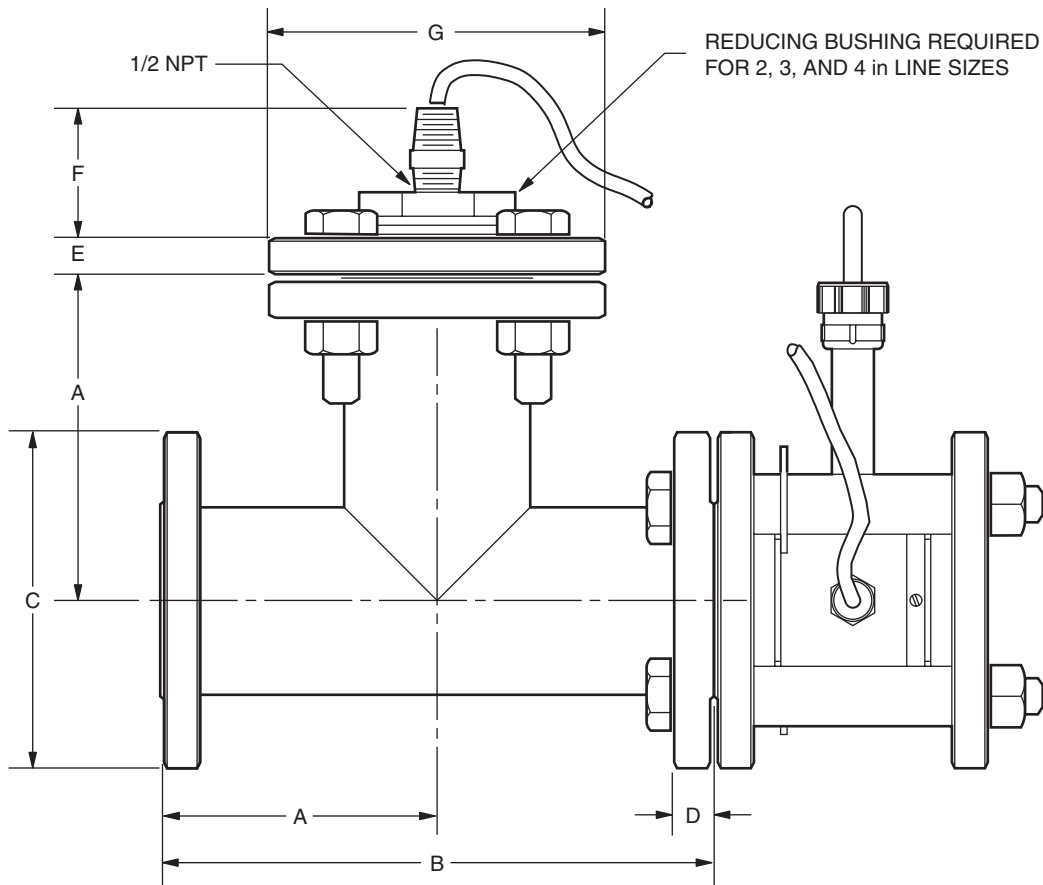
NOTE: FOR DIMENSIONS WITH RTD, SEE PAGE 2



Nominal Line Size	Dimensions					Number of Bolt Holes
	A (Dia)	B	C	D	E	
25 mm (1 in)	116 4.5	121 4.8	109 4.3	16 0.63	98 3.9	4
40 mm (1 1/2 in)	150 5.9	121 4.8	109 4.3	16 0.63	98 3.9	4
50 mm (2 in)	165 6.5	137 5.4	122 4.8	18 0.71	109 4.3	4
80 mm (3 in)	201 7.9	142 5.6	137 5.4	20 0.79	123 4.9	8
100mm (4 in)	221 8.7	168 6.6	152 6.0	20 0.79	138 5.4	8



For dimensional information specific to your sales order, refer to Certified Dimensional Prints (CDPs) which can be ordered from your Foxboro Sales Office or authorized factory representative.



Nominal Line Size	Dimensions							Number of Bolt Holes
	A	B	C (Dia)	D	E	F	G	
25 mm (1 in)	88 3.5	179 6.9	115 4.5	16 0.63	16 0.63	44 1.7	115 4.5	4
40 mm (1 1/2 in)	102 4.0	204 8.0	150 5.9	16 0.63	16 0.63	44 1.7	150 5.9	4
50 mm (2 in)	115 4.5	230 9.1	165 6.5	18 0.71	18 0.71	44 1.7	165 6.5	4
80 mm (3 in)	140 5.5	280 11.0	200 7.9	20 0.79	20 0.79	44 1.7	200 7.9	8
100mm (4 in)	152 6.0	304 12.0	220 8.7	20 0.79	20 0.79	44 1.7	220 8.7	8

Revised to electronic format June 2008

33 Commercial Street  
 Foxboro, MA 02035-2099  
 United States of America  
 www.foxboro.com  
 Inside U.S.: 1-866-746-6477  
 Outside U.S.: 1-508-549-2424  
 or contact your local Foxboro  
 representative.  
 Facsimile: 1-508-549-4999

Invensys and Foxboro are trademarks of Invensys plc, its subsidiaries, and affiliates.  
 All other brand names may be trademarks of their respective owners.

Copyright 1996-2008 Invensys Systems, Inc.  
 All rights reserved

MB 123

Printed in U.S.A

0608