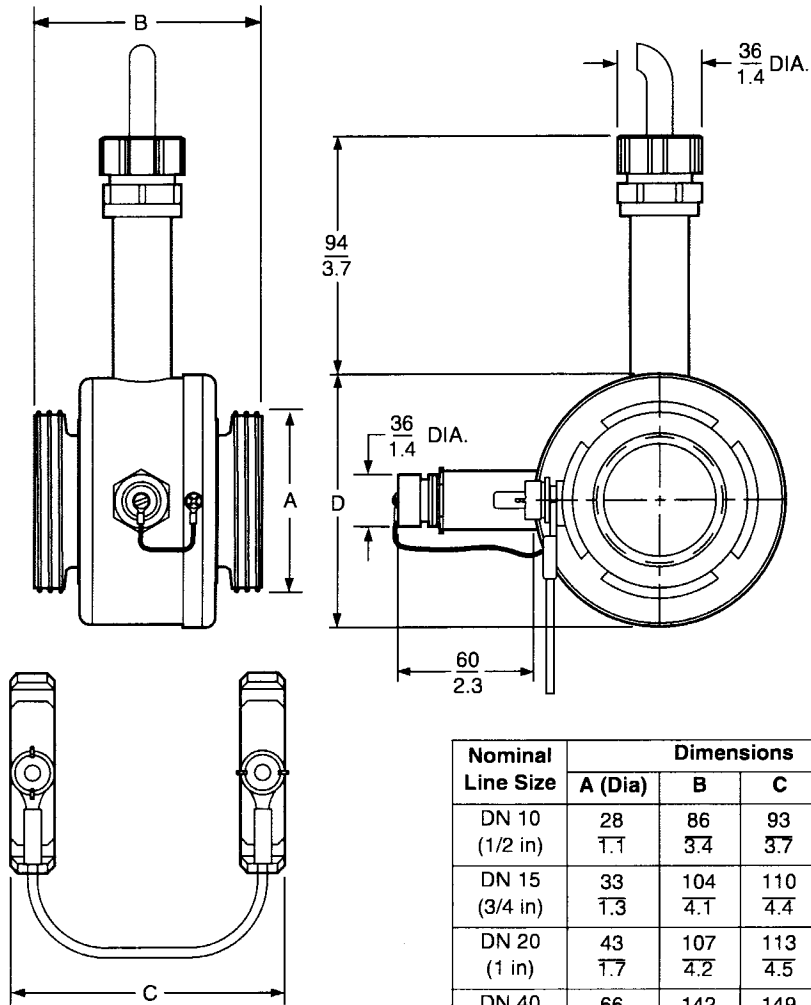
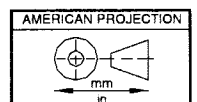


871FT Toroidal Flow-Through Conductivity Sensors with Metric PN 10 Sanitary End Connections per DIN 11851

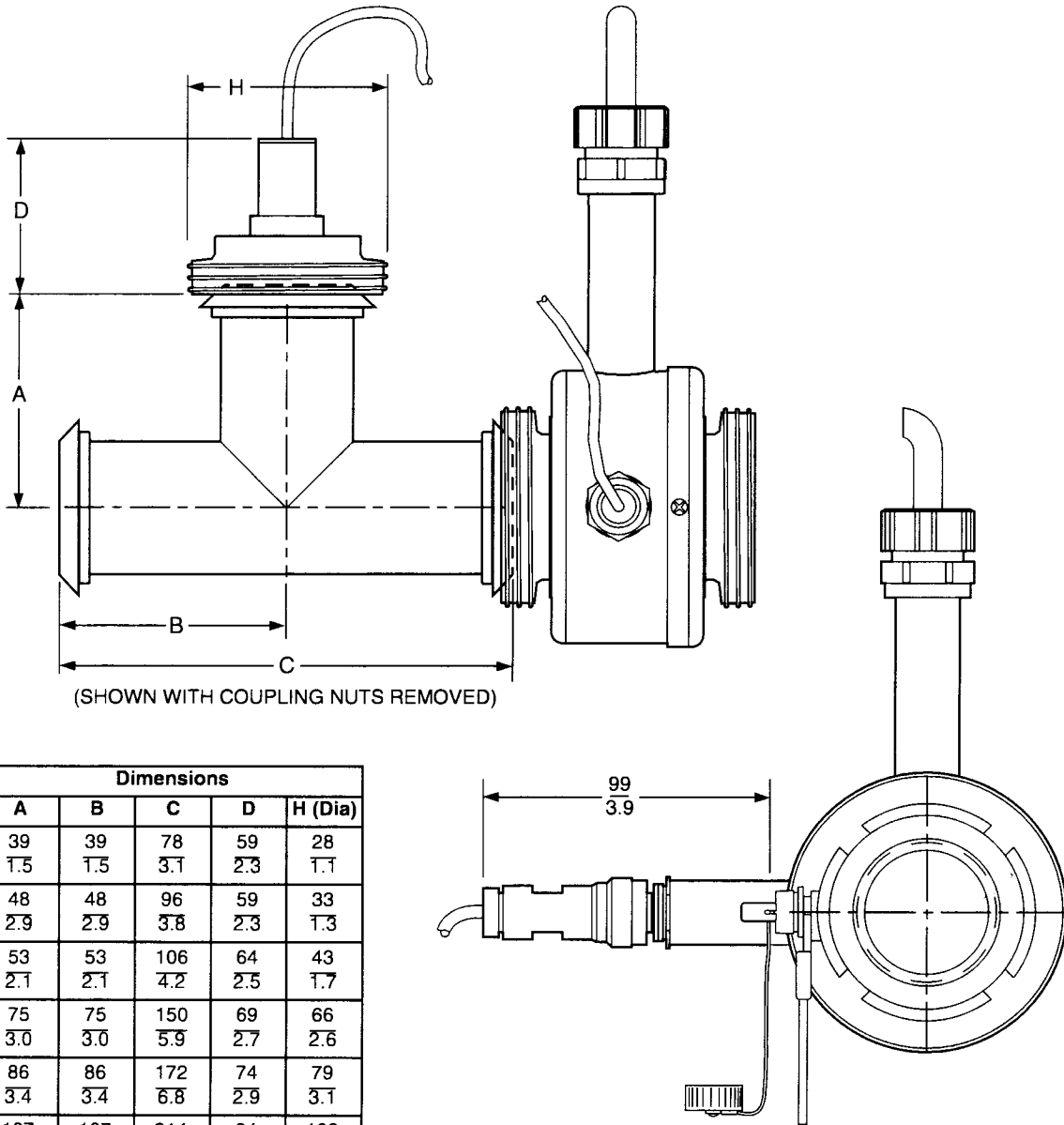
NOTE: FOR DIMENSIONS WITH RTD, SEE PAGE 2.



Nominal Line Size	Dimensions			
	A (Dia)	B	C	D
DN 10 (1/2 in)	28 1.1	86 3.4	93 3.7	82 3.2
DN 15 (3/4 in)	33 1.3	104 4.1	110 4.4	104 4.1
DN 20 (1 in)	43 1.7	107 4.2	113 4.5	104 4.1
DN 40 (1 1/2 in)	66 2.6	142 5.6	149 5.9	104 4.1
DN 50 (2 in)	79 3.1	145 5.7	151 6.0	104 4.1
DN 80 (3 in)	109 4.3	157 6.2	164 6.5	163 6.4



DIMENSIONS WITH RTD



Nominal Line Size	Dimensions				
	A	B	C	D	H (Dia)
DN 10 (1/2 in)	39 1.5	39 1.5	78 3.1	59 2.3	28 1.1
DN 15 (3/4 in)	48 2.9	48 2.9	96 3.8	59 2.3	33 1.3
DN 20* (1 in)	53 2.1	53 2.1	106 4.2	64 2.5	43 1.7
DN 40* (1 1/2 in)	75 3.0	75 3.0	150 5.9	69 2.7	66 2.6
DN 50 (2 in)	86 3.4	86 3.4	172 6.8	74 2.9	79 3.1
DN 80* (3 in)	107 4.2	107 4.2	214 8.4	84 3.3	109 4.3

*Uses reducing tee.

The Foxboro Company
 33 Commercial Street
 Foxboro
 Massachusetts 02035-2099

Telephone: 1-888-FOXBORO
 (1-888-369-2676)

Facsimile: (508) 549-4999

A Siebe Group Company

Foxboro is a registered trademark of The Foxboro Company.
 Siebe is a registered trademark of Siebe, plc.

Copyright 1996-1997 by The Foxboro Company
 All rights reserved

MB 123

Printed in U.S.A

0797