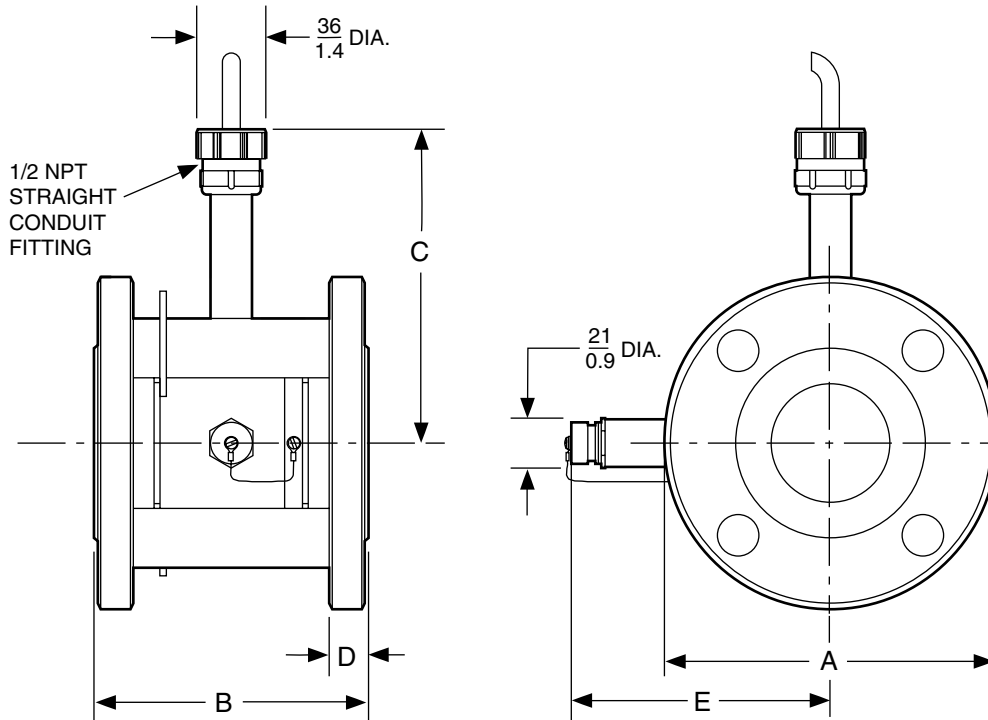
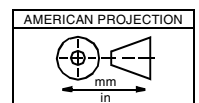


# 871FT Toroidal Flow-Through Conductivity Sensors with ANSI Class 300 Flanged End Connections

NOTE: FOR DIMENSIONS WITH RTD, SEE PAGE 2.

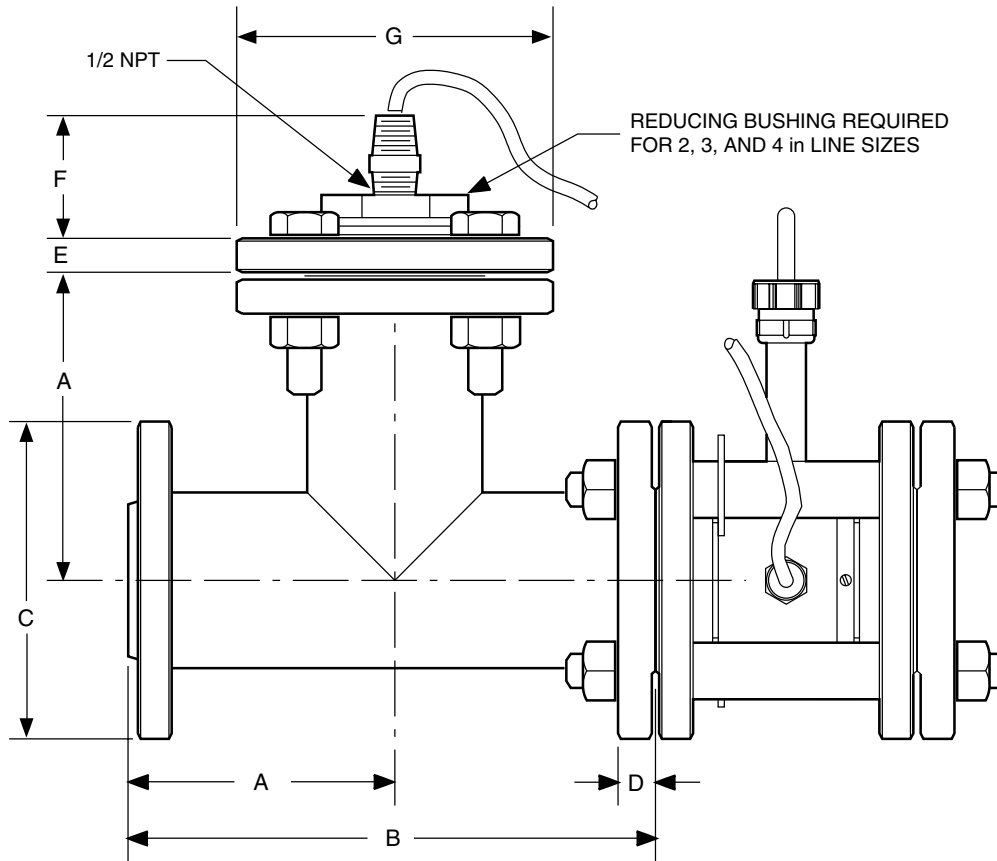


Nominal Line Size	Dimensions					Number of Bolt Holes
	A (Dia)	B	C	D	E	
1/2 in	$\frac{124}{4.9}$	$\frac{124}{4.9}$	$\frac{109}{4.3}$	$\frac{21}{0.72}$	$\frac{98}{3.9}$	4
1 in	$\frac{124}{4.9}$	$\frac{124}{4.9}$	$\frac{109}{4.3}$	$\frac{21}{0.72}$	$\frac{98}{3.9}$	4
1 1/2 in	$\frac{155}{6.1}$	$\frac{130}{5.1}$	$\frac{109}{4.3}$	$\frac{21}{0.81}$	$\frac{98}{3.9}$	4
2 in	$\frac{165}{6.5}$	$\frac{133}{5.3}$	$\frac{122}{4.8}$	$\frac{22}{0.88}$	$\frac{109}{4.3}$	8
3 in	$\frac{210}{8.3}$	$\frac{159}{6.3}$	$\frac{137}{5.4}$	$\frac{28}{1.1}$	$\frac{123}{4.9}$	8
4 in	$\frac{254}{10.0}$	$\frac{190}{7.5}$	$\frac{152}{6.0}$	$\frac{32}{1.3}$	$\frac{138}{5.4}$	8



For dimensional information specific to your sales order, refer to Certified Dimensional Prints (CDPs) which can be ordered from your Foxboro Sales Office or authorized factory representative.

**DIMENSIONS WITH RTD**



Nominal Line Size	Dimensions						Number of Bolt Holes
	A	B	C (Dia)	D	E	F	
1/2 in	N/A	N/A	N/A	N/A	N/A	N/A	N/A
1 in	$\frac{102}{4.0}$	$\frac{203}{8.0}$	$\frac{124}{4.9}$	$\frac{21}{0.72}$	$\frac{21}{0.72}$	$\frac{38}{1.5}$	4
1 1/2 in	$\frac{114}{4.5}$	$\frac{229}{9.0}$	$\frac{153}{6.1}$	$\frac{21}{0.81}$	$\frac{21}{0.81}$	$\frac{38}{1.5}$	4
2 in	$\frac{127}{5.0}$	$\frac{254}{10.0}$	$\frac{165}{6.5}$	$\frac{22}{0.88}$	$\frac{22}{0.88}$	$\frac{58}{2.3}$	8
3 in	$\frac{152}{6.0}$	$\frac{305}{12.0}$	$\frac{210}{8.3}$	$\frac{28}{1.1}$	$\frac{28}{1.1}$	$\frac{64}{2.5}$	8
4 in	$\frac{176}{7.0}$	$\frac{356}{14.0}$	$\frac{254}{10.0}$	$\frac{32}{1.3}$	$\frac{32}{1.3}$	$\frac{66}{2.6}$	8

**The Foxboro Company**  
 33 Commercial Street  
 Foxboro, MA 02035-2099  
 United States of America  
<http://www.foxboro.com>  
 Inside U.S.: 1-888-FOXBORO  
 (1-888-369-2676)  
 Outside U.S.: Contact your  
 local Foxboro representative.  
 Facsimile: (508) 549-4492

Foxboro is a registered trademark of The Foxboro Company.  
 Invensys is a trademark of Invensys plc.

Copyright 1996-2001 The Foxboro Company  
 All rights reserved