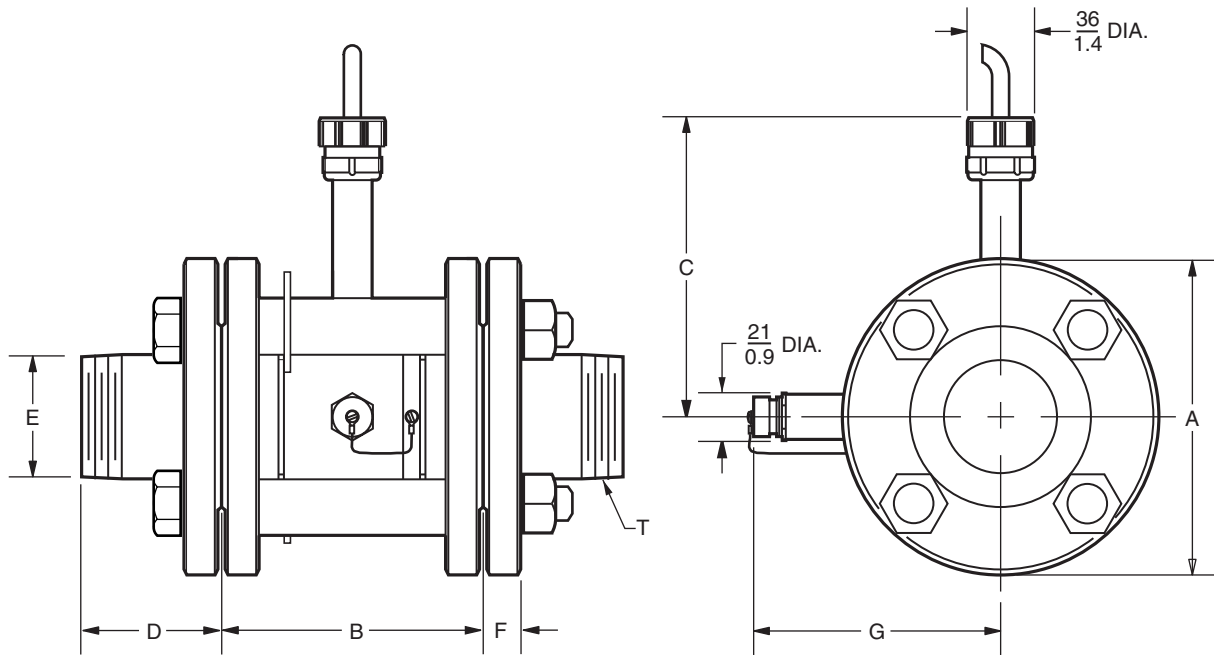
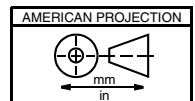


871FT Toroidal Flow-Through Conductivity Sensors with Industrial-Rated NPT Threaded End Connections

Note: For dimensions with RTD, see Page 2.

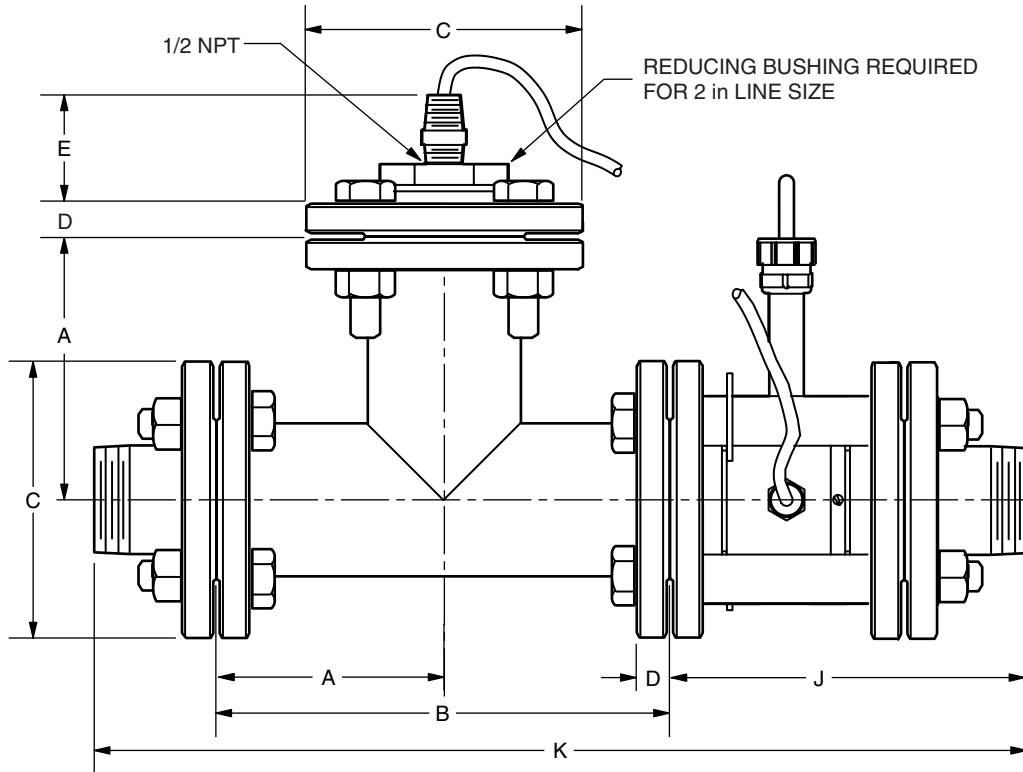


Nominal Line Size	Dimensions								Number of Bolt Holes
	A (Dia)	B	C	D	E (Dia)	F	G	T	
15 mm (1/2 in)	108 4.25	117 4.6	109 4.3	64 2.5	21 0.84	14 0.56	98 3.9	1/2 NPT	4
25 mm (1 in)	108 4.25	117 4.6	109 4.3	67 2.7	33 1.32	14 0.56	98 3.9	1 NPT	4
40 mm (1 1/2 in)	127 5.0	124 4.9	109 4.3	71 2.8	48 1.9	18 0.69	98 3.9	1 1/2 NPT	4
50 mm (2 in)	152 6.0	127 5.0	122 4.8	79 3.1	61 2.4	19 0.75	109 4.3	2 NPT	4



For dimensional information specific to your sales order, refer to Certified Dimensional Prints (CDPs) which can be ordered from your Foxboro Sales Office or authorized factory representative.

DIMENSIONS WITH RTD



Nominal Line Size	Dimensions							Number of Bolt Holes
	A	B	C (Dia)	D	E	J*	K*	
15 mm (1/2 in)	$\frac{89}{3.5}$	$\frac{178}{7.0}$	$\frac{108}{4.25}$	$\frac{14}{0.56}$	$\frac{32}{1.3}$	$\frac{184}{7.3}$	$\frac{429}{16.9}$	4
25 mm (1 in)	$\frac{89}{3.5}$	$\frac{178}{7.0}$	$\frac{108}{4.25}$	$\frac{14}{0.56}$	$\frac{32}{1.3}$	$\frac{184}{7.3}$	$\frac{429}{16.9}$	4
40 mm (1 1/2 in)	$\frac{102}{4.0}$	$\frac{203}{8.0}$	$\frac{127}{5.0}$	$\frac{18}{0.69}$	$\frac{56}{2.2}$	$\frac{196}{7.7}$	$\frac{470}{18.5}$	4
50 mm (2 in)	$\frac{114}{4.5}$	$\frac{229}{9.0}$	$\frac{152}{6.0}$	$\frac{19}{0.75}$	$\frac{58}{2.3}$	$\frac{211}{8.3}$	$\frac{518}{20.4}$	4

*Dimensions J and K vary with gasket thickness.

33 Commercial Street
 Foxboro, MA 02035-2099
 United States of America
 www.foxboro.com
 Inside U.S.: 1-866-746-6477
 Outside U.S.: 1-508-549-2424
 or contact your local Foxboro
 representative.
 Facsimile: 1-508-549-4999

Invensys and Foxboro are trademarks of Invensys plc, its subsidiaries, and affiliates.
 All other brand names may be trademarks of their respective owners.

Copyright 1996-2005 Invensys Systems, Inc.
 All rights reserved

MB 123

Printed in U.S.A

0105