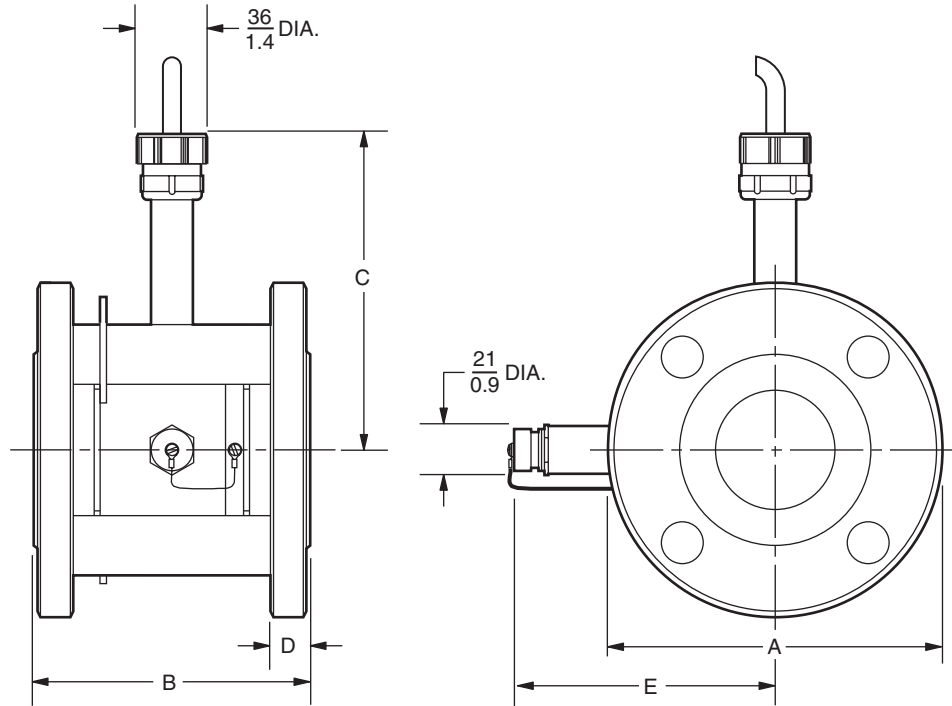
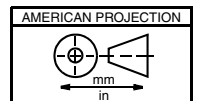


871FT Toroidal Flow-Through Conductivity Sensors with ANSI Class 150 Flanged End Connections

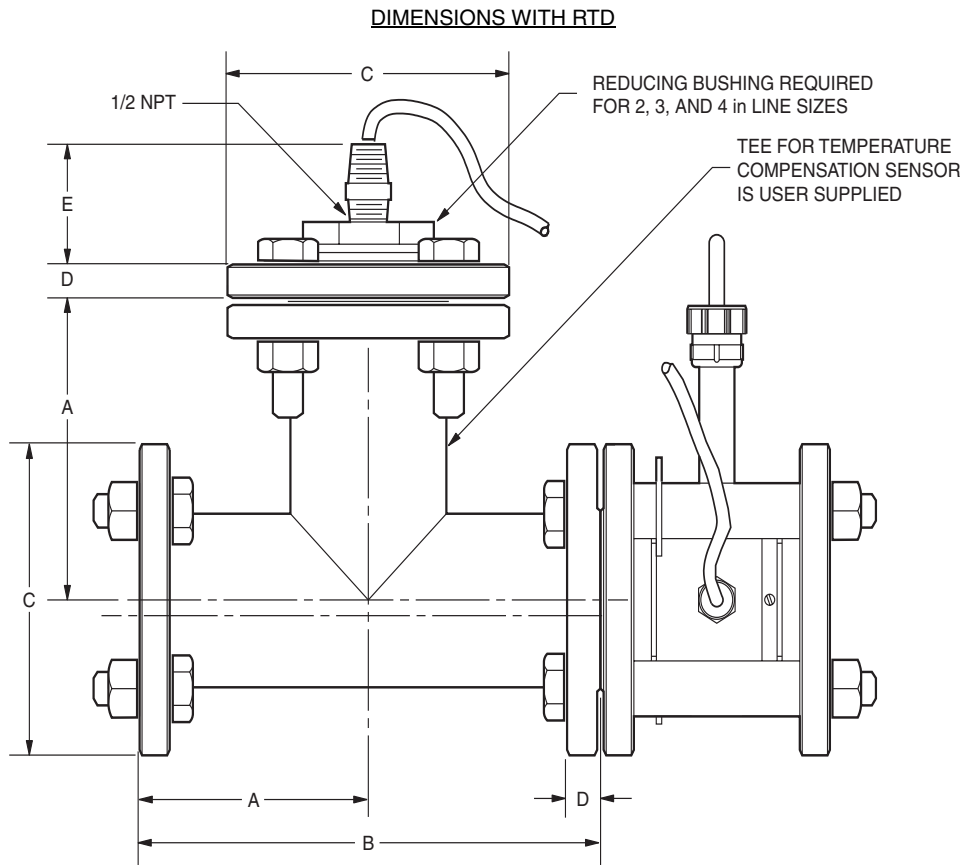
Note: For dimensions with RTD, see Page 2.



Nominal Line Size	Dimensions					Number of Bolt Holes
	A (Dia)	B	C	D	E	
15 mm (1/2 in)	$\frac{108}{4.25}$	$\frac{117}{4.6}$	$\frac{109}{4.3}$	$\frac{14}{0.56}$	$\frac{98}{3.9}$	4
25 mm (1 in)	$\frac{108}{4.25}$	$\frac{117}{4.6}$	$\frac{109}{4.3}$	$\frac{14}{0.56}$	$\frac{98}{3.9}$	4
40 mm (1 1/2 in)	$\frac{127}{5.0}$	$\frac{124}{4.9}$	$\frac{109}{4.3}$	$\frac{18}{0.69}$	$\frac{98}{3.9}$	4
50 mm (2 in)	$\frac{152}{6.0}$	$\frac{127}{5.0}$	$\frac{122}{4.8}$	$\frac{19}{0.75}$	$\frac{109}{4.3}$	4
80 mm (3 in)	$\frac{190}{7.5}$	$\frac{150}{5.9}$	$\frac{137}{5.4}$	$\frac{24}{0.94}$	$\frac{123}{4.9}$	4
100 mm (4 in)	$\frac{229}{9.0}$	$\frac{175}{6.9}$	$\frac{152}{6.0}$	$\frac{24}{0.94}$	$\frac{138}{5.4}$	8



For dimensional information specific to your sales order, refer to Certified Dimensional Prints (CDPs) which can be ordered from your Foxboro Sales Office or authorized factory representative.



Nominal Line Size	Dimensions					Number of Bolt Holes
	A	B	C (Dia)	D	E	
15 mm (1/2 in)	$\frac{89}{3.5}$	$\frac{178}{7.0}$	$\frac{108}{4.25}$	$\frac{14}{0.56}$	$\frac{32}{1.3}$	4
25 mm (1 in)	$\frac{89}{3.5}$	$\frac{178}{7.0}$	$\frac{108}{4.25}$	$\frac{14}{0.56}$	$\frac{32}{1.3}$	4
40 mm (1 1/2 in)	$\frac{102}{4.0}$	$\frac{203}{8.0}$	$\frac{127}{5.0}$	$\frac{18}{0.69}$	$\frac{56}{2.2}$	4
50 mm (2 in)	$\frac{114}{4.5}$	$\frac{229}{9.0}$	$\frac{152}{6.0}$	$\frac{19}{0.75}$	$\frac{58}{2.3}$	4
80 mm (3 in)	$\frac{140}{5.5}$	$\frac{279}{11.0}$	$\frac{190}{7.5}$	$\frac{24}{0.94}$	$\frac{64}{2.5}$	4
100 mm (4 in)	$\frac{165}{6.5}$	$\frac{330}{13.0}$	$\frac{229}{9.0}$	$\frac{24}{0.94}$	$\frac{66}{2.6}$	8

33 Commercial Street
 Foxboro, MA 02035-2099
 United States of America
 www.foxboro.com
 Inside U.S.: 1-866-746-6477
 Outside U.S.: 1-508-549-2424
 or contact your local Foxboro
 representative.
 Facsimile: 1-508-549-4999

Invensys and Foxboro are trademarks of Invensys plc, its subsidiaries, and affiliates.
 All other brand names may be trademarks of their respective owners.

Copyright 1996-2008 Invensys Systems, Inc.
 All rights reserved