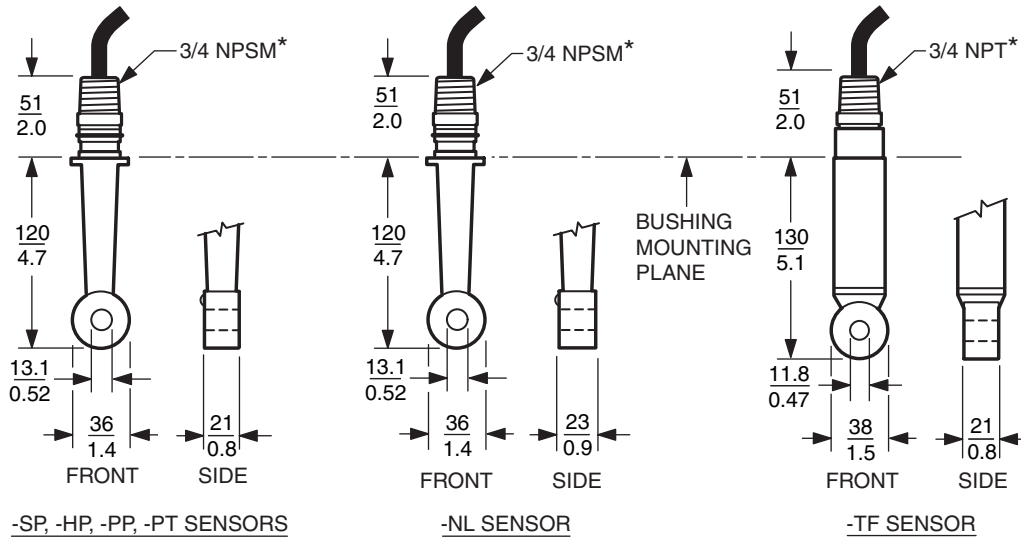
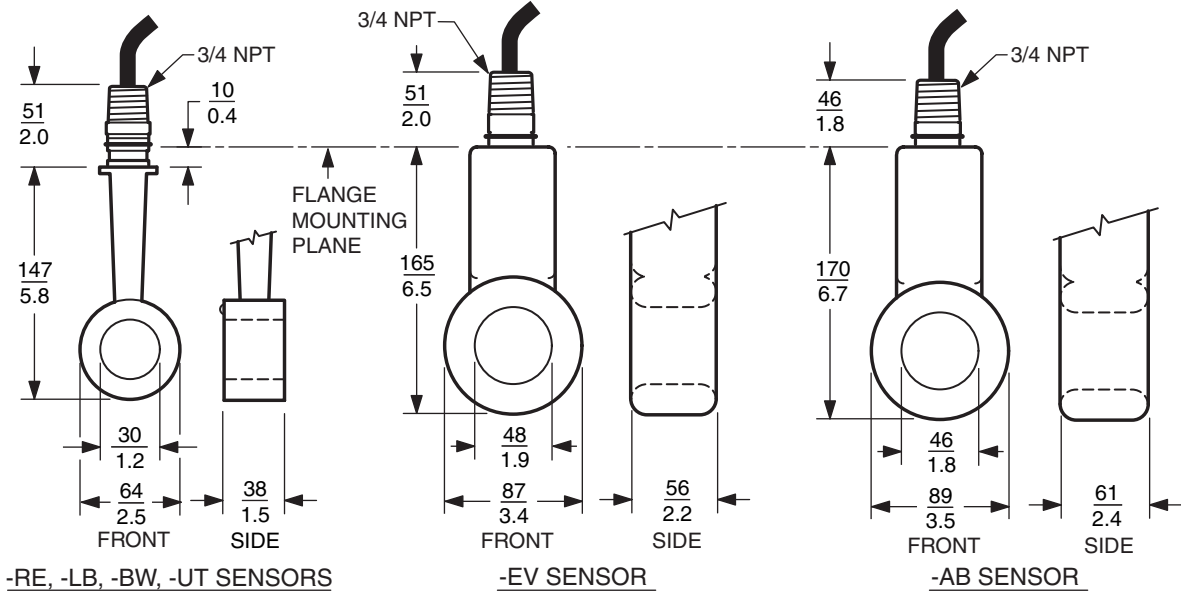
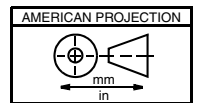


# 871EC Electrodeless Conductivity Sensors

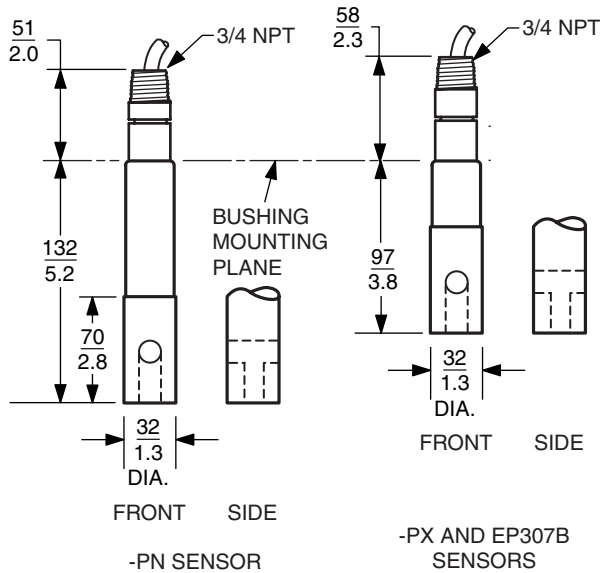
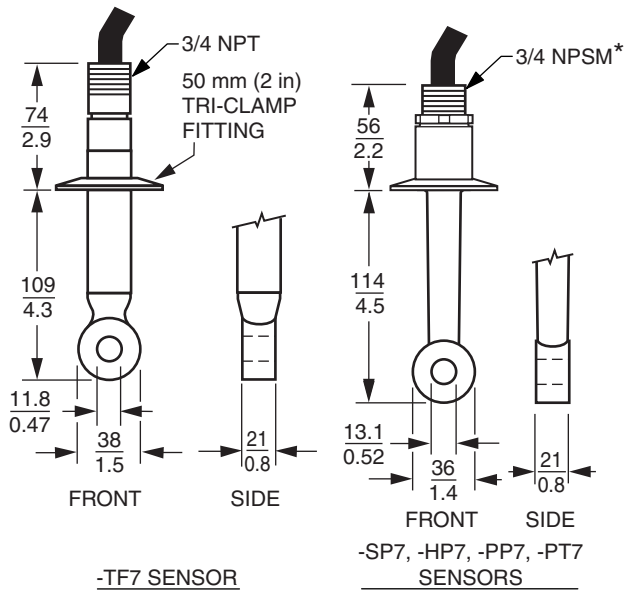
NOTES: 1. SPACERS PROVIDED WITH FLANGE MUST BE UTILIZED.  
 2. FLANGE MOUNTING DIMENSIONS SHOWN ARE MAXIMUM VALUES.



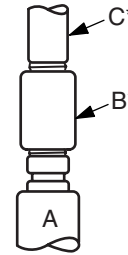
\* TRUNCATED TO 0.990 - 0.975 in (25.15 - 24.77 mm) O.D.



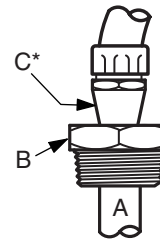
For dimensional information specific to your sales order, refer to Certified Dimensional Prints (CDPs) which can be ordered from your Foxboro Sales Office or authorized factory representative.



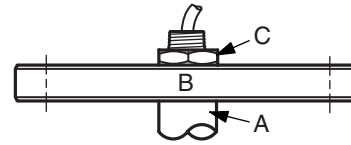
\* TRUNCATED TO 0.990 - 0.975 in (25.15 - 24.77 mm) O.D.



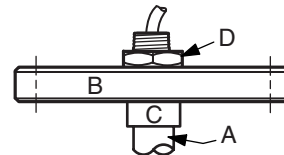
871EC SENSOR (A) MOUNTED ON 3/4 NPT COUPLING (B) AND DN 20 OR 3/4 in PIPE (C) FOR IN-SITU USE



-SP, -HP, -PP, -PT, -NL, -TF, -PN, OR -PX SENSOR (A) MOUNTED ON APPROPRIATE BUSHING (B) USING CONDUIT CONNECTOR (C)



-SP, -HP, -PP, -PT, -NL, -TF, -GL, -PN, OR -PX SENSOR (A) MOUNTED ON 4 in FLANGE (B) USING LOCKNUT (C), OR -LB, -UT, -RE, -BW, -EV, OR -AB SENSOR MOUNTED ON APPROPRIATE FLANGE



871EC SENSOR (A) MOUNTED ON APPROPRIATE FLANGE (B) WITH SPACER (C) USING LOCKNUT (D)