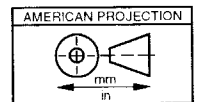
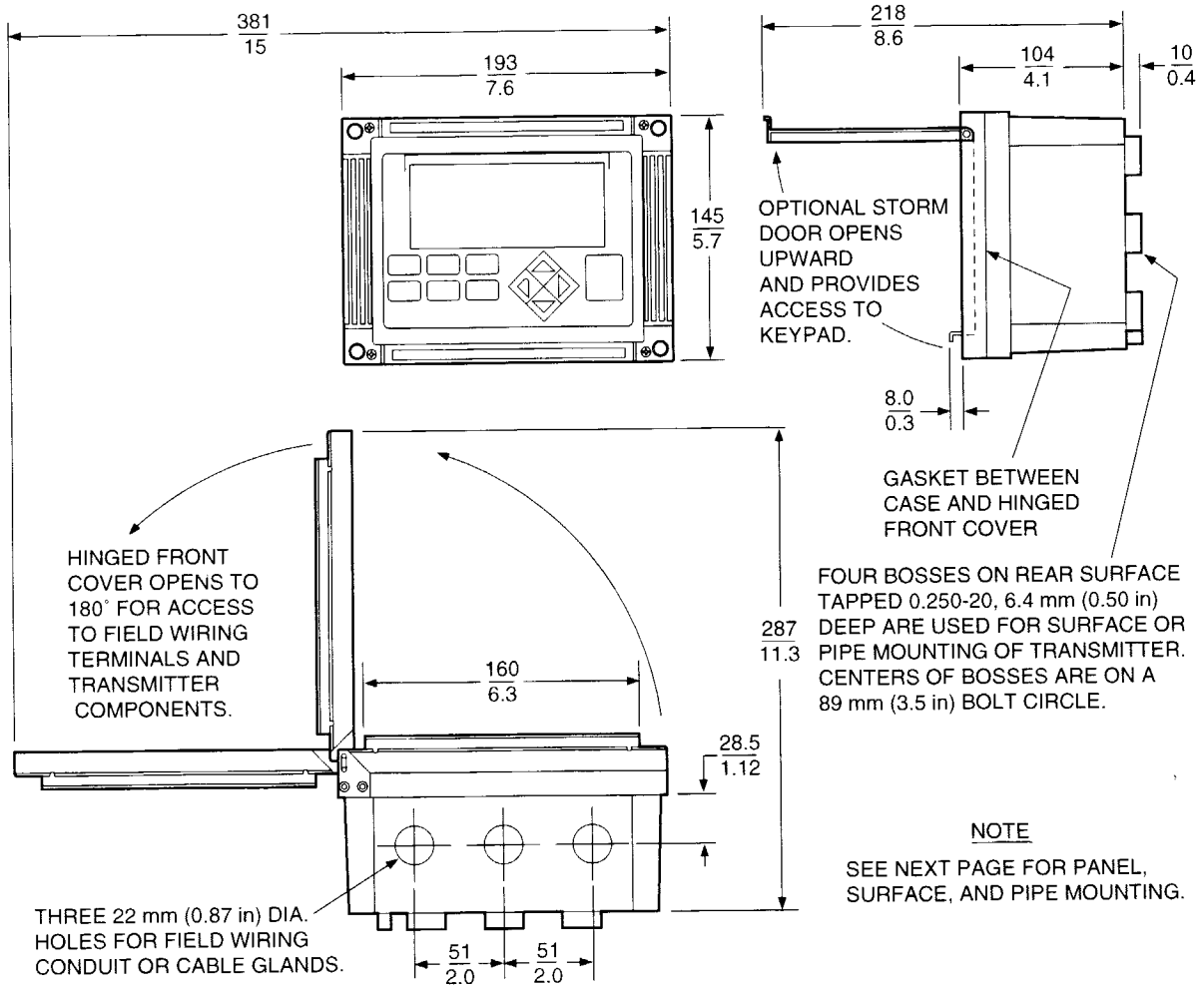
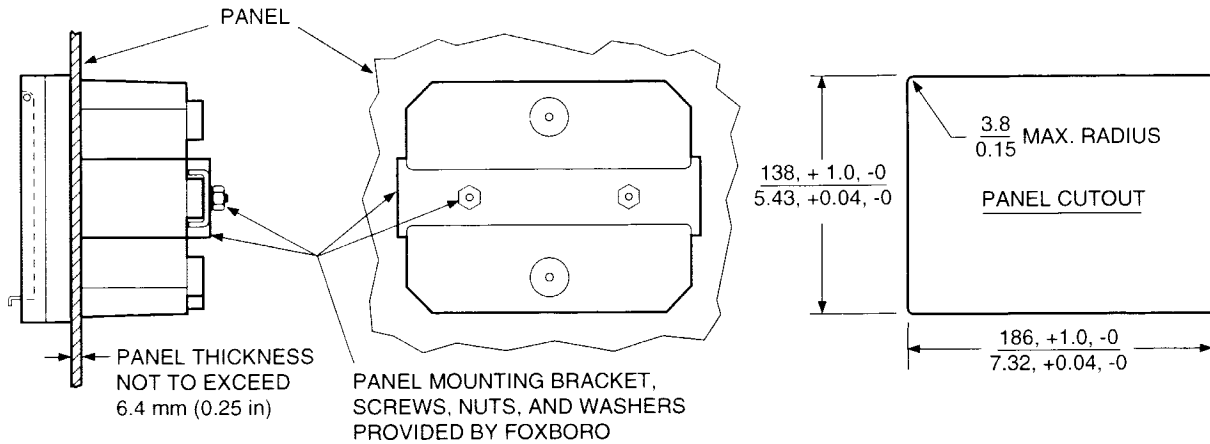


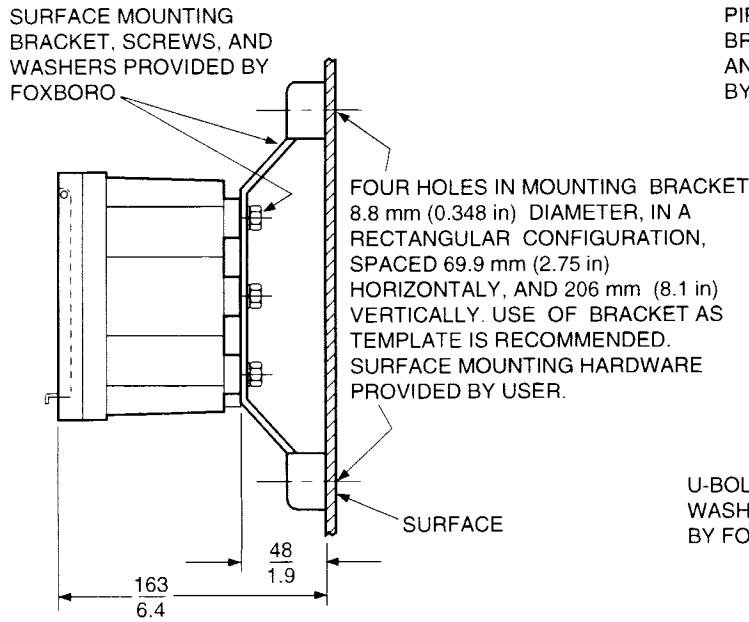
**870ITCR, 870ITEC, and 870ITPH
Intelligent Electrochemical Transmitters**



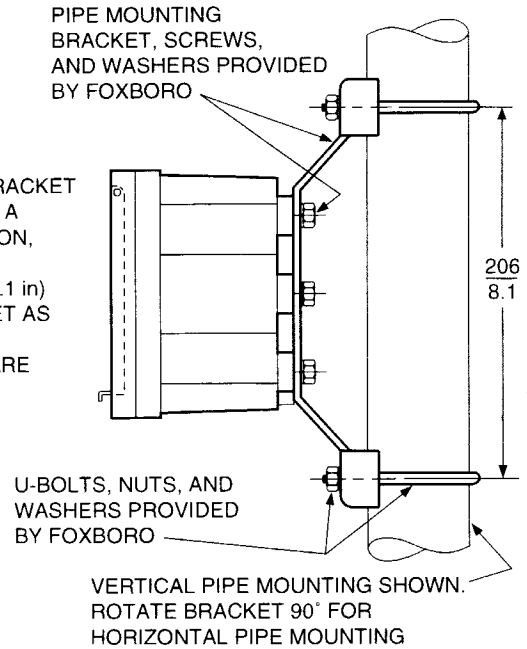
PANEL MOUNTING



SURFACE MOUNTING



PIPE MOUNTING



The Foxboro Company
33 Commercial Street
Foxboro
Massachusetts 02035-2099

Telephone: 1-888-FOXBORO
(1-888-369-2676)

Facsimile: (508) 549-4999

A Siebe Group Company

Foxboro is a registered trademark of The Foxboro Company.
Siebe is a registered trademark of Siebe, plc.

Copyright 1995-1998 by The Foxboro Company
All rights reserved

MB 123

Printed in U.S.A

0398