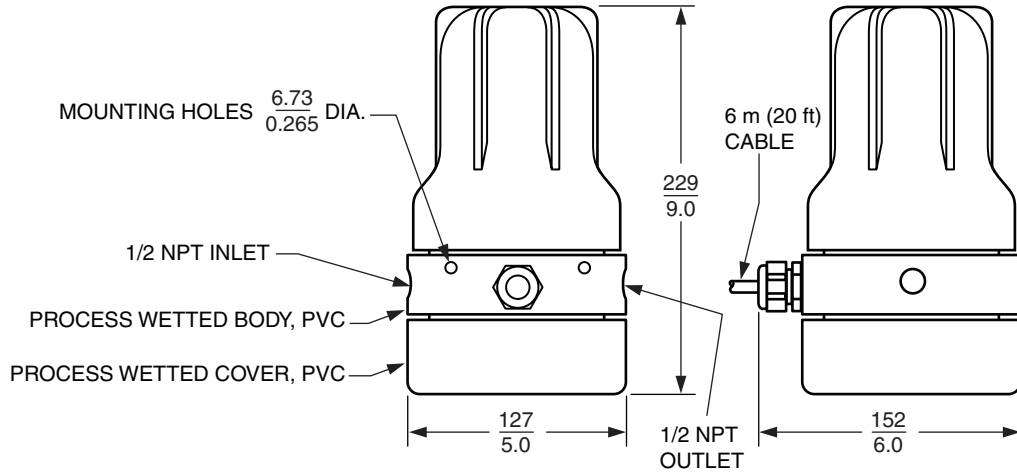
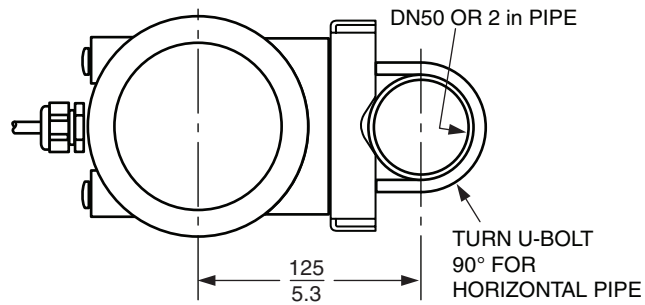


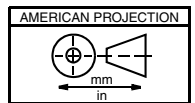
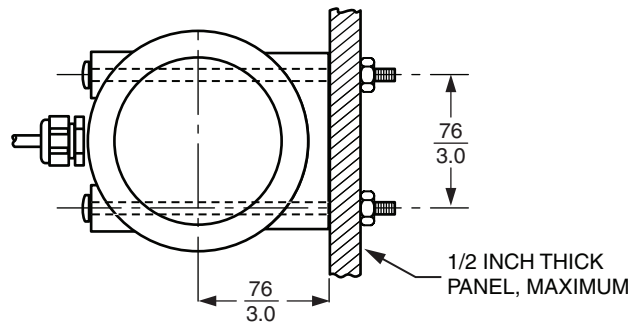
# EP459A Fluoride Sensor Assembly



PIPE MOUNTING (TOP VIEW SHOWN)



PANEL MOUNTING (TOP VIEW SHOWN)



For dimensional information specific to your sales order, refer to Certified Dimensional Prints (CDPs) which can be ordered from your Foxboro Sales Office or authorized factory representative.

33 Commercial Street  
Foxboro, MA 02035-2099  
United States of America  
[www.foxboro.com](http://www.foxboro.com)  
Inside U.S.: 1-866-746-6477  
Outside U.S.: 1-508-549-2424  
or contact your local Foxboro  
representative.  
Facsimile: 1-508-549-4999

Invensys and Foxboro are trademarks of Invensys plc, its subsidiaries, and affiliates.  
All other brand names may be trademarks of their respective owners.

Copyright 2007 Invensys Systems, Inc.  
All rights reserved

MB 123

Printed in U.S.A

0807