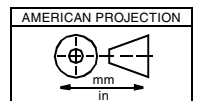
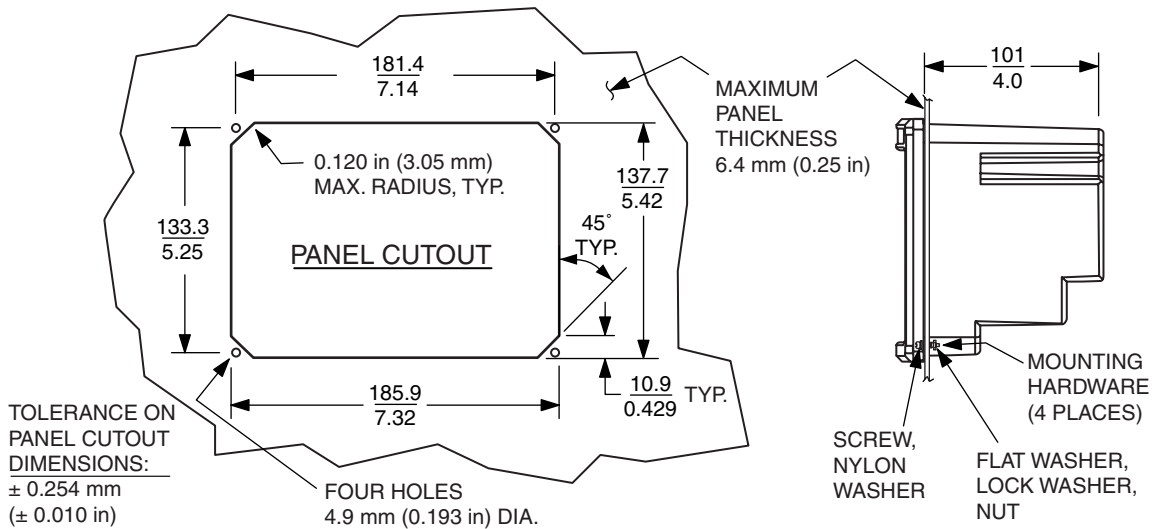
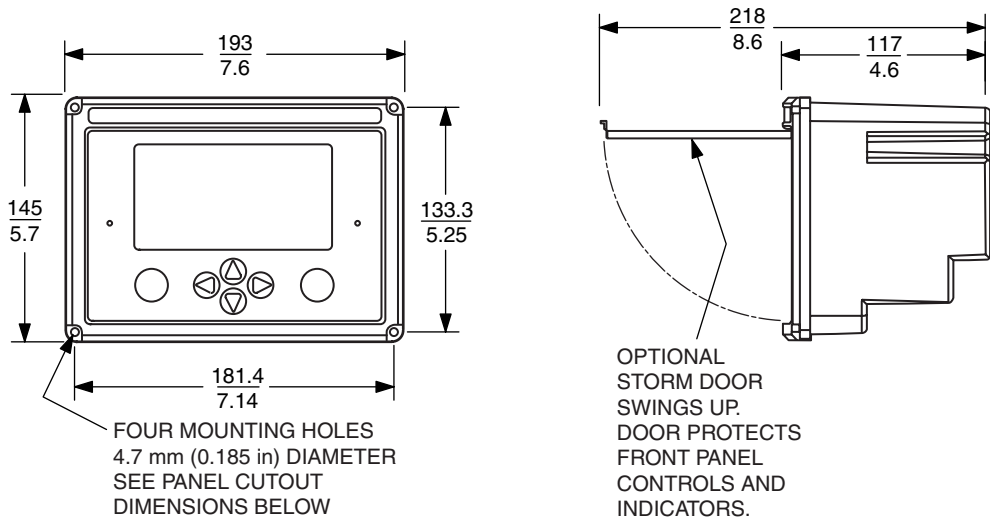


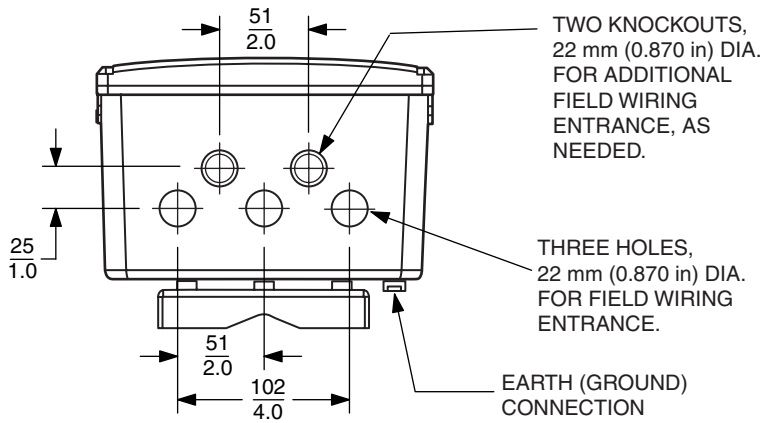
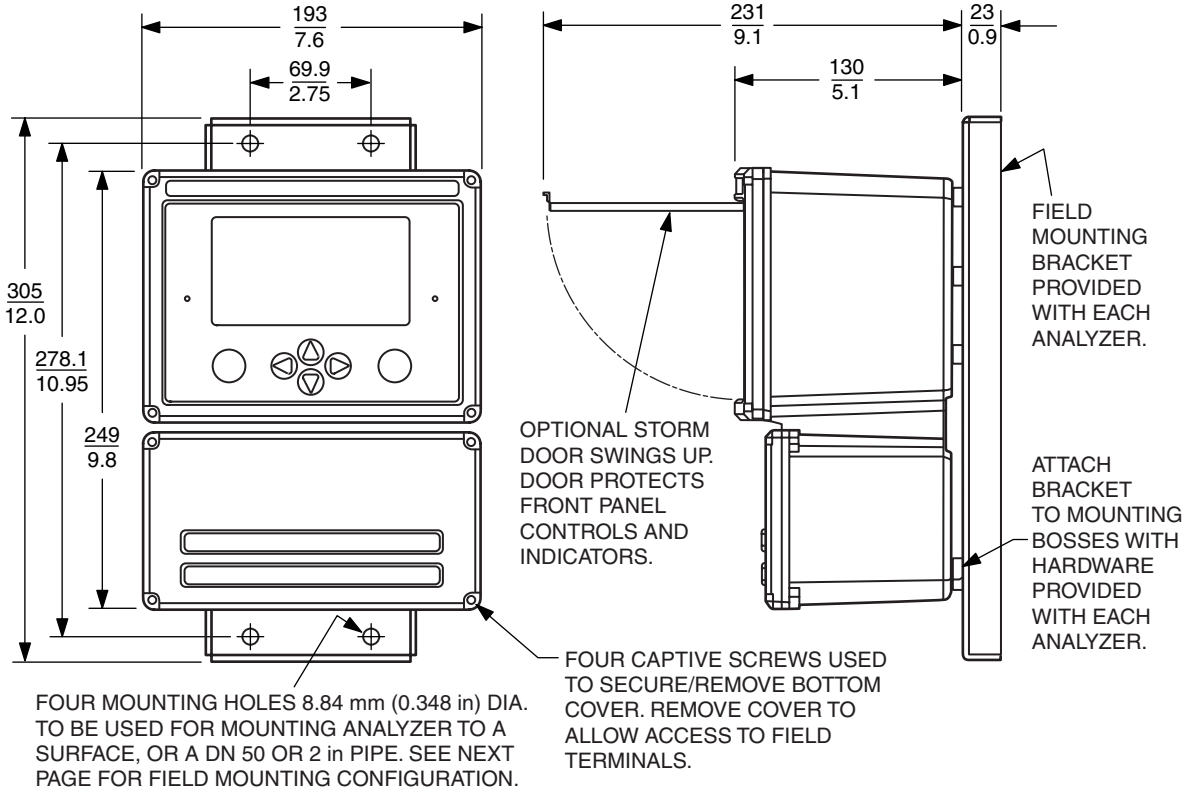
875CR, 875EC and 875PH Intelligent Electrochemical Analyzers

PANEL-MOUNTED ENCLOSURE

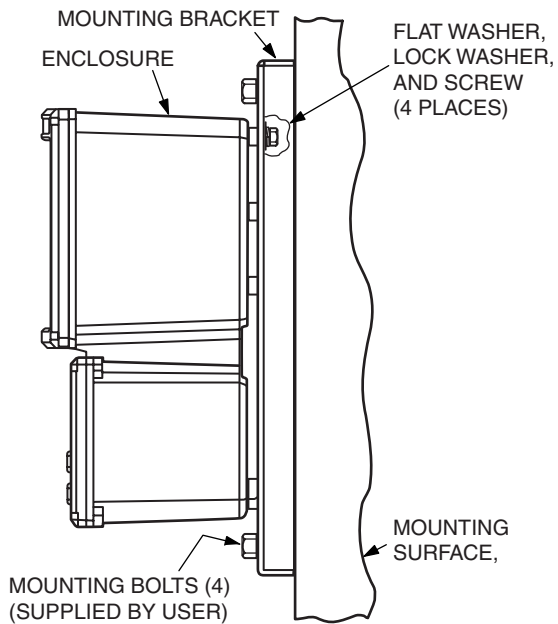


For dimensional information specific to your sales order, refer to Certified Dimensional Prints (CDPs) which can be ordered from your Foxboro Sales Office or authorized factory representative.

FIELD-MOUNTED ENCLOSURE
 (SEE NEXT PAGE FOR ENCLOSURE MOUNTED TO A SURFACE AND PIPE)

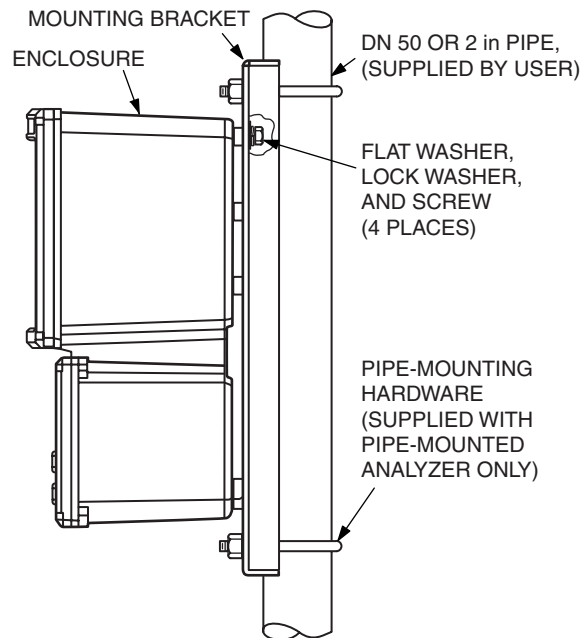


SURFACE-MOUNTING



NOTE: FOR DIMENSIONS, SEE PREVIOUS PAGE.

PIPE-MOUNTING



The Foxboro Company
33 Commercial Street
Foxboro, MA 02035-2099
United States of America
<http://www.foxboro.com>
Inside U.S.: 1-888-FOXBORO
(1-888-369-2676)
Outside U.S.: Contact your
local Foxboro Representative.
Facsimile: (508) 549-4492

Foxboro is a registered trademarks of The Foxboro Company.
Invensys is a trademark of Invensys plc.

Copyright 2000 The Foxboro Company
All rights reserved