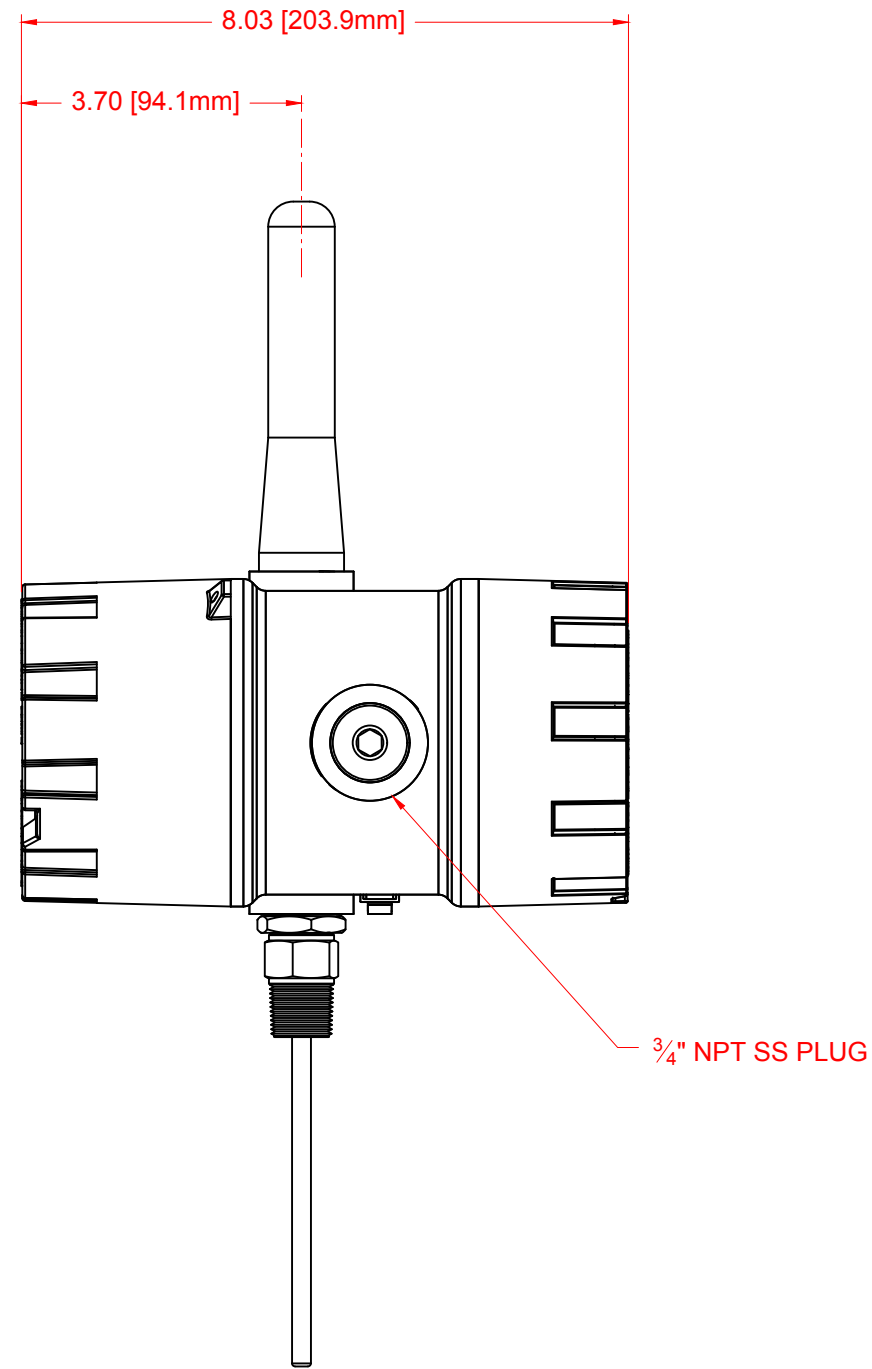
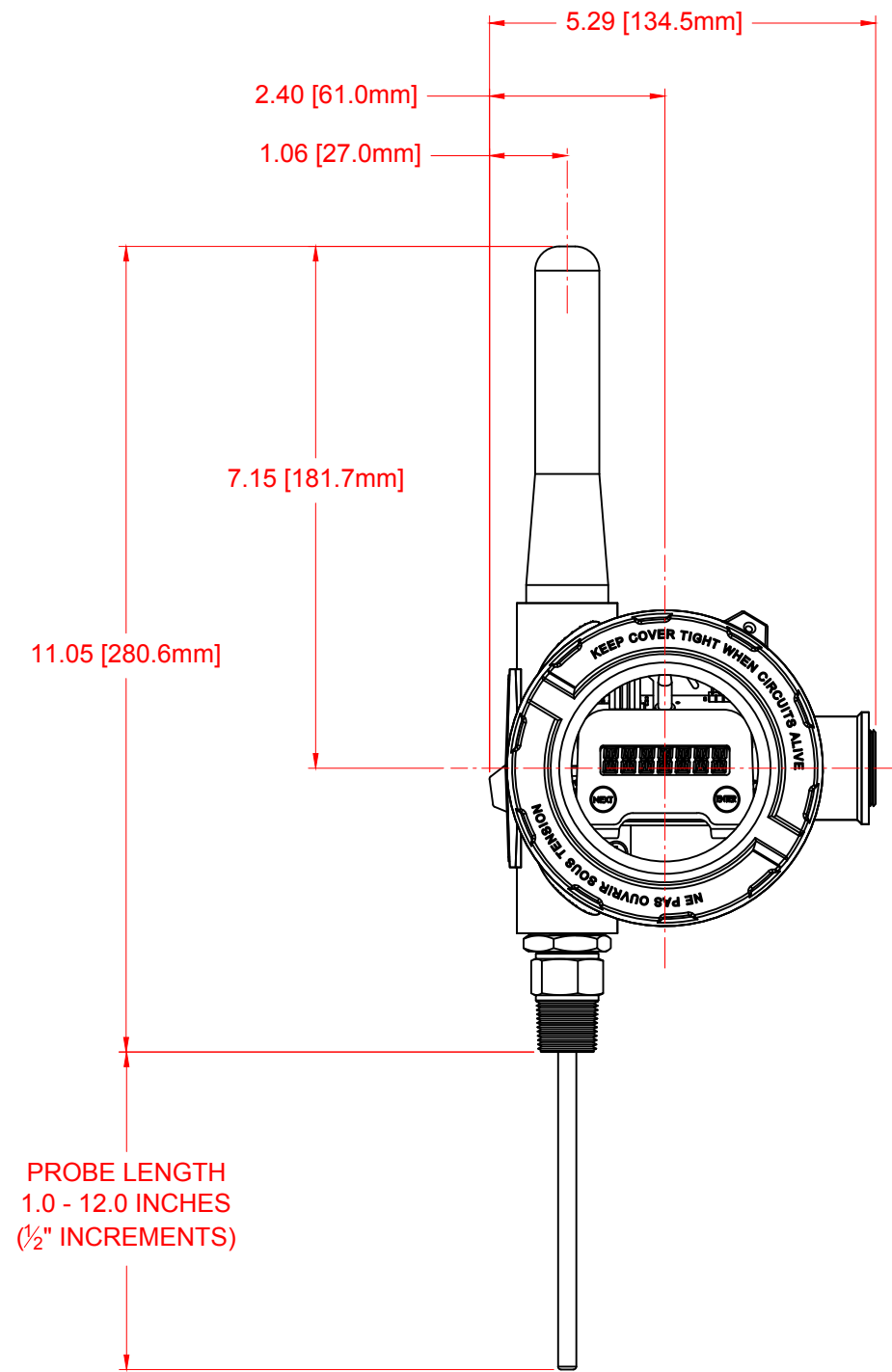




2.4GHz INTEGRAL ANTENNA AND
CABLED ANTENNA OPTIONS

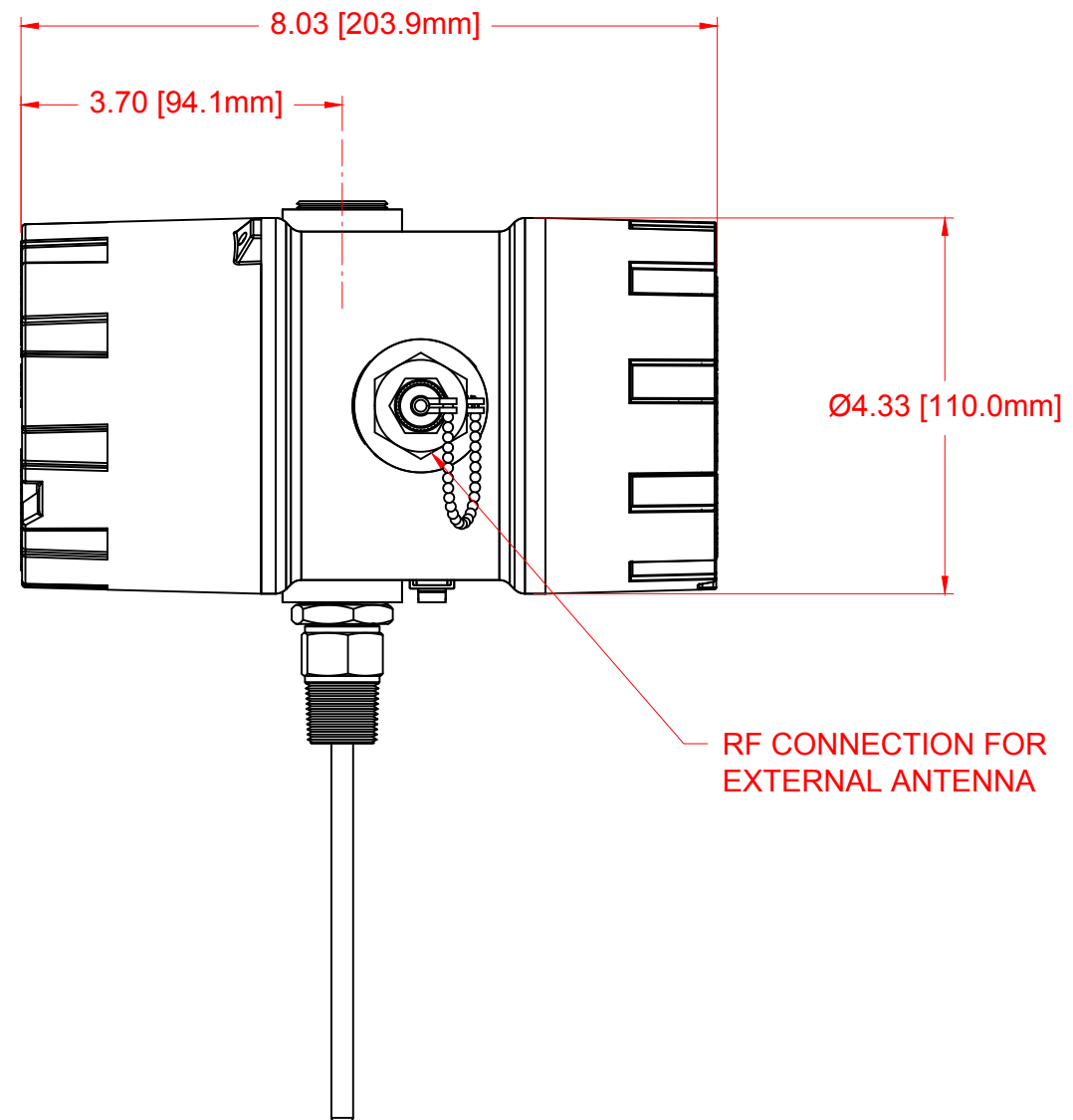
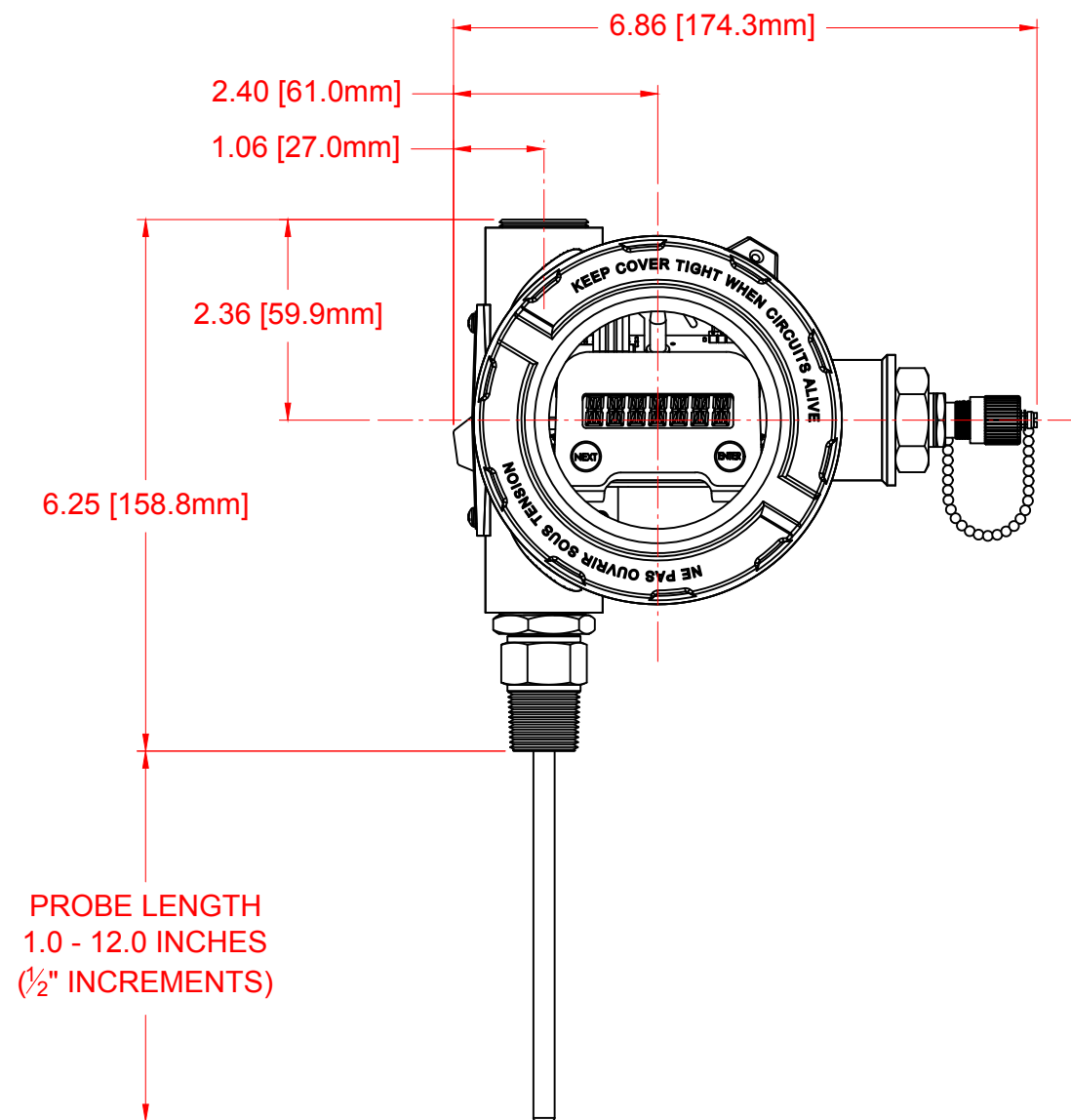
DRAWN BY: K. PINKS	DATE: 30-OCT-2014
CHECKED BY:	DATE:
APVD BY:	DATE:
PROJECTION:	
THIS PRINT IS THE EXCLUSIVE PROPERTY OF SCHNEIDER ELECTRIC AND MUST BE RETURNED UPON REQUEST. UNAUTHORIZED USE, MANUFACTURE OR REPRODUCTION IN WHOLE OR IN PART IS PROHIBITED.	

1	N/A	ORIGINAL ISSUE	K.P.	30-OCT-2014																											
REV	ECR REF#	DESCRIPTION	ENG. BY	DATE																											
UNLESS NOTED OTHERWISE, DIMENSIONS ARE IN INCHES. MILLIMETERS ARE IN SQUARE BRACKETS, AND TOLERANCES APPLY AS SHOWN BELOW.			ACCUTECH WIRELESS RT / TC FIELD UNIT, ALUMINUM HOUSING																												
<table border="1"> <tr><th colspan="2">INCHES</th></tr> <tr><td>BASIC DIMENSION</td><td>DECIMAL PLACES</td></tr> <tr><td>BELOW 40</td><td>.XXX</td></tr> <tr><td>OVER 40</td><td>±.01</td></tr> <tr><td>OVER 40</td><td>±.02</td></tr> <tr><th colspan="2">MILLIMETERS</th></tr> <tr><td>BASIC DIMENSION</td><td>DECIMAL PLACES</td></tr> <tr><td>BELOW 1016</td><td>XX</td></tr> <tr><td>OVER 1016</td><td>±.25</td></tr> <tr><td>OVER 1016</td><td>±.50</td></tr> <tr><th colspan="2">ANGULAR DIMENSIONS</th></tr> <tr><td>BASIC DIMENSION</td><td>DECIMAL PLACES</td></tr> <tr><td>ALL ANGLES</td><td>X XX</td></tr> <tr><td></td><td>±2.5° ±0.5°</td></tr> </table>					INCHES		BASIC DIMENSION	DECIMAL PLACES	BELOW 40	.XXX	OVER 40	±.01	OVER 40	±.02	MILLIMETERS		BASIC DIMENSION	DECIMAL PLACES	BELOW 1016	XX	OVER 1016	±.25	OVER 1016	±.50	ANGULAR DIMENSIONS		BASIC DIMENSION	DECIMAL PLACES	ALL ANGLES	X XX	
INCHES																															
BASIC DIMENSION	DECIMAL PLACES																														
BELOW 40	.XXX																														
OVER 40	±.01																														
OVER 40	±.02																														
MILLIMETERS																															
BASIC DIMENSION	DECIMAL PLACES																														
BELOW 1016	XX																														
OVER 1016	±.25																														
OVER 1016	±.50																														
ANGULAR DIMENSIONS																															
BASIC DIMENSION	DECIMAL PLACES																														
ALL ANGLES	X XX																														
	±2.5° ±0.5°																														
		N/A		REV. 1																											
SIZE: B	DWG.# 3040-0202	SHEET: 1 OF: 3	SCALE: N.T.S.																												



900Mhz INTEGRAL ANTENNA OPTIONS

DRAWN BY: K. PINKS		DATE: 30-OCT-2014		1 N/A ORIGINAL ISSUE		K.P.		30-OCT-2014					
CHECKED BY:		DATE:		REV ECR REF#		DESCRIPTION		ENG. BY DATE					
APVD BY:		DATE:		UNLESS NOTED OTHERWISE, DIMENSIONS ARE IN INCHES, MILLIMETERS ARE IN SQUARE BRACKETS, AND TOLERANCES APPLY AS SHOWN BELOW.									
PROJECTION:				INCHES						DESC.		REV.	
THIS PRINT IS THE EXCLUSIVE PROPERTY OF SCHNEIDER ELECTRIC AND MUST BE RETURNED UPON REQUEST. UNAUTHORIZED USE, MANUFACTURE OR REPRODUCTION IN WHOLE OR IN PART IS PROHIBITED.				BASIC DIMENSION						ACCUTECH WIRELESS RT / TC FIELD UNIT, ALUMINUM HOUSING		1	
				DECIMAL PLACES						PART IDENTIFICATION NO. (PID)		N/A	
				.XXX						SIZE: B		DWG.# 3040-0202	
				±.01		SHEET: 2		OF: 3					
				±.02		SCALE: N.T.S.							
				MILLIMETERS									
				BASIC DIMENSION									
				DECIMAL PLACES									
				.XX									
				BELOW 1016									
				±.25									
				OVER 1016									
				±.50									
				ANGULAR DIMENSIONS									
				BASIC DIMENSION									
				DECIMAL PLACES									
				X X.X									
				ALL ANGLES									
				±2.5° ±0.5°									



RF CONNECTION FOR EXTERNAL ANTENNA

900MHz CABLED ANTENNA OPTION

DRAWN BY: K. PINKS
 CHECKED BY:
 APVD BY:
 PROJECTION:

DATE: 30-OCT-2014

THIS PRINT IS THE EXCLUSIVE PROPERTY OF SCHNEIDER ELECTRIC AND MUST BE RETURNED UPON REQUEST. UNAUTHORIZED USE, MANUFACTURE OR REPRODUCTION IN WHOLE OR IN PART IS PROHIBITED.

1	N/A	ORIGINAL ISSUE	K.P.	30-OCT-2014
REV	ECR REF#	DESCRIPTION	ENG. BY	DATE
UNLESS NOTED OTHERWISE, DIMENSIONS ARE IN INCHES, MILLIMETERS ARE IN SQUARE BRACKETS, AND TOLERANCES APPLY AS SHOWN BELOW.				
INCHES				
BASIC DIMENSION	DECIMAL PLACES			
BELOW 40	±.01			
OVER 40	±.02			
MILLIMETERS		DESC. ACCUTECH WIRELESS RT / TC FIELD UNIT, ALUMINUM HOUSING		
BASIC DIMENSION	DECIMAL PLACES	PART IDENTIFICATION NO. (PID) N/A		
BELOW 1016	±.25	REV. 1		
OVER 1016	±.50	SIZE: B DWG.# 3040-0202 SHEET: 3 OF: 3 SCALE: N.T.S.		
ANGULAR DIMENSIONS				
BASIC DIMENSION	DECIMAL PLACES			
ALL ANGLES	X X.X ±2.5° ±0.5°			