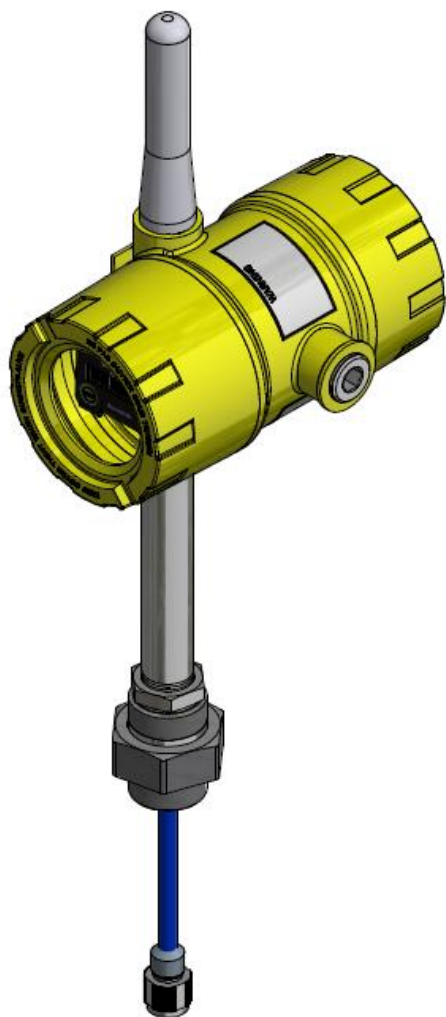


Product End of Life Instructions

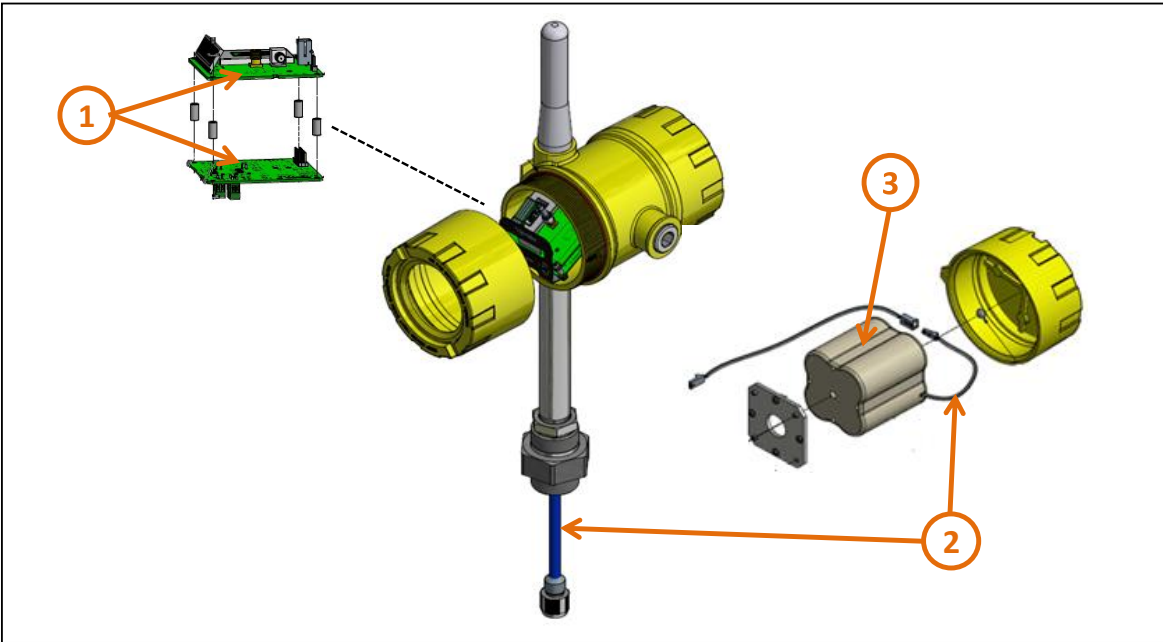
Accutech FL10

Wireless Float Level Field Unit





End of Life Instructions



Recommendation	Number on drawing	Component / Material	Weight (in g)	Comment
To be depolluted	1	Electronic Board (Communication) > 10cm ²	65.5	Two PCBAs
To be depolluted	2	Cable (low current)	42	Two cables
To be depolluted	3	Other battery	173	Sealed Lithium-thionyl chloride battery assembly
Other			3225.5	



Product description

Manufacturer identification	Schneider Electric Industries SAS
Brand name	Schneider Electric
Product function	The main function of the Accutech FL10 is to interface with the Electrolab Model 2100 digital level sensors to provide single or dual fluid level and temperature data across a wireless connection.
Product reference	TBUAFLTJ1N00A
Additional similar product references	TBUAFLxxxxxxx and TBUATMxxxxxxxxxxx
Total representative product mass	3506 g
Representative product dimensions	478.8mm x 174.3mm x 203.9mm
Accessories	None
Date of information release	07/2019



Additional information

Legal information	This product family is in the scope of European Union directive 2012/19/EU on Waste Electrical and Electronic Equipment (WEEE). The product family must be disposed according to the legislation of the country. This document is intended for use by end of life recyclers or treatment facilities. It provides the basic information to assure an appropriate end of life treatment for the components and materials of the product.	
In case of special transportation: transportation method	No	
Recyclability potential	76%	Based on "ECO'DEEE recyclability and recoverability calculation method" (version V1, 20 Sep. 2008 presented to the French Agency for Environment and Energy Management: ADEME).

Schneider Electric Industries SAS

Country Customer Care Center
<http://www.schneider-electric.com/contact>

35, rue Joseph Monier
CS 30323
F- 92506 Rueil Malmaison Cedex
RCS Nanterre 954 503 439
Capital social 896 313 776 €

www.schneider-electric.com

ENVEOLI1907006EN_V1

Published by Schneider Electric

© 2019 - Schneider Electric – All rights reserved

07/2019