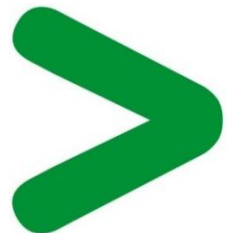


Product End of Life Instructions

Accutech BR20 Wireless Base Radio

Accutech Wireless Base Radios (BR20 and BR21 Series)



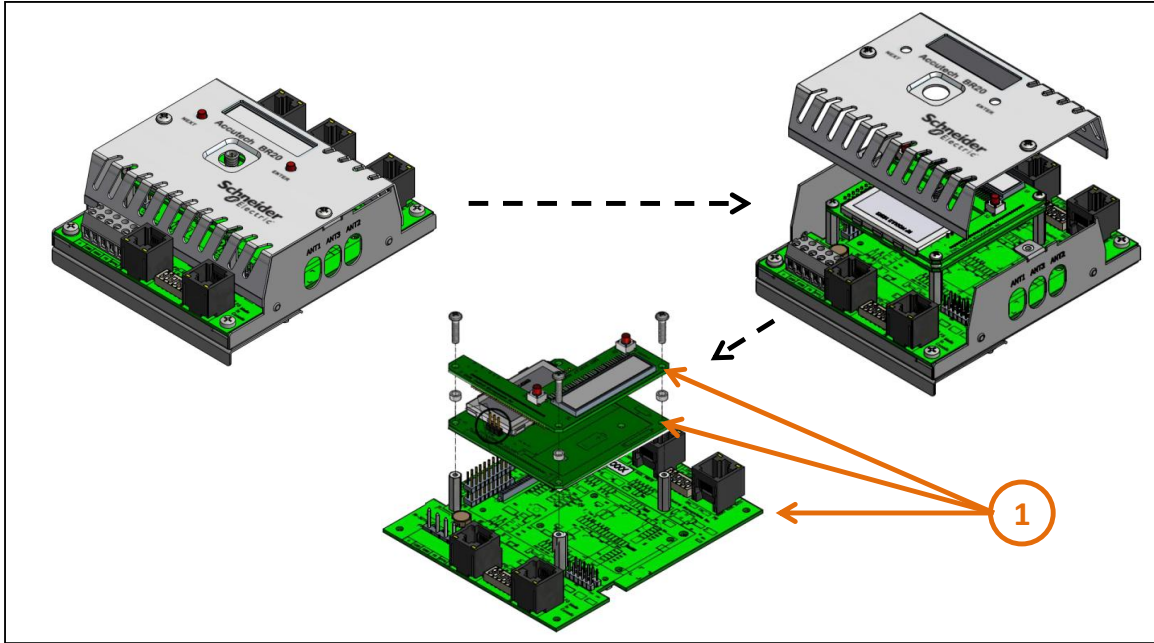


Potential disassembly risks

No specific disassembly risks have been identified for this product.



End of Life Instructions



Recommendation	Number on drawing	Component / Material	Weight (g)	Comment
To be depolluted	1	Printed Circuit Boards Assemblies (PCBAs)	125	Three PCBAs greater than 10cm ² in surface area each to be depolluted.



Product description

Manufacturer identification	Schneider Electric
Brand name	Schneider Electric
Product function	A wireless base radio that automatically communicates with deployed instrumentation field units associated with it in a local area star network. Certified for use in hazardous environments.
Product reference	TBUABR20-6000
Additional similar product references	TBUABR20-6000 TBUABR20-1000 TBUABR20-1B00 TBUABR20-1K00 TBUABR20-2000 TBUABR20-2C00 TBUABR20-2D00 TBUABR20-5000 TBUABR20-5L00 TBUABR20-6L00 TBUABR21-1000 TBUABR21-6000 TBUABR21-2000 TBUABR21-5000
Total representative product (only) mass (g)	399,61
Representative product dimensions	36.8 mm x 112.5 mm x 124.3 mm
Accessories	0
Date of information release	08/2017



Additional information

Legal information	This product family is in the scope of European Union directive 2012/19/EU on Waste Electrical and Electronic Equipment (WEEE). The product family must be disposed according to the legislation of the country. This document is intended for use by end of life recyclers or treatment facilities. It provides the basic information to assure an appropriate end of life treatment for the components and materials of the product.	
In case of special transportation: transportation method	None	
Recyclability potential	68%	Based on "ECO'DEEE recyclability and recoverability calculation method" (version V1, 20 Sep. 2008 presented to the French Agency for Environment and Energy Management: ADEME).

Schneider Electric

Customer Care Center

www.schneider-electric.com/contact

35, rue Joseph Monier

CS 30323

F- 92506 Rueil Malmaison Cedex

RCS Nanterre 954 503 439

Capital social 896 313 776 €

www.schneider-electric.com

ENVEOLI1707011_V1

Published by Schneider Electric

© 2017 - Schneider Electric – All rights reserved

08/2017