

Accutech BR10

Wireless Base Radio



Product at a glance

At the heart of any Accutech™ wireless instrument network is the wireless base radio. The Accutech BR10 automatically communicates with deployed instrumentation field units attached to it in a local area star network and makes the field data available to an existing control system through a local serial Modbus interface. A third-party Modbus TCP/IP converter can also be employed to add Ethernet connectivity. The product is powered by readily available 9...38 Vdc and is self-contained for use in extreme environments.

One base radio can communicate with up to a maximum 100 field units. With the capability to scale up to as many as 256 base radios, Accutech wireless instrumentation easily accommodates your expansion plans.

Accutech BR10

Wireless Base Radio

Specifications - Accutech BR10

General

Device	Base Radio
Location	Interfaced with controller or PC
Frequency Range	900 MHz and 2.4 GHz license-free bands

Features

Output Options	<ul style="list-style-type: none"> • RS-485 digital communications with conversion to RS-232 or USB for interface with PC or server and Accutech Manager. • Serial Modbus RTU (Binary) over RS-485 • Modbus over TCP/IP (via optional converter)
Operating Ambient Environment	-40...+85 °C (-40...+185 °F) rated for industrial use
Materials of Construction	Epoxy-painted aluminum
Power	10...30 Vdc
Certifications	<p>North America HAZLOC:</p> <ul style="list-style-type: none"> • cCSAus • Explosion Proof (only with integral NEMA 4X antenna cover): • Class I, Div. 1, Groups A, B, C & D, T4 • Class I, Div. 2, Groups A, B, C, & D, T4 <p>EMC & Radio:</p> <ul style="list-style-type: none"> • North America: FCC, IC • Australia: C-Tick
Local Configuration Interface	Integrated LCD with membrane-switch buttons
Remote Configuration Interface	Accutech Manager, Windows®-based GUI software, providing network-wide monitoring and performance-management features and field unit configuration capabilities
Network Capacity	<ul style="list-style-type: none"> • Max. 100 field units per base radio • Max. 256 base radios per network
RF Characteristics	<p>900 MHz:</p> <ul style="list-style-type: none"> • 902...928 MHz Frequency Hopping Spread Spectrum (FHSS), FCC certified ISM license-free band • 915...928 MHz (Australia) • Data Rates: 19.2 kbps, and 76.8 kbps • Typical Electrical Transmit Power: 0.4 W maximum <p>2.4 GHz:</p> <ul style="list-style-type: none"> • 2400...2483.5 MHz license-free band Frequency Hopping Spread Spectrum (FHSS) Radio • Data Rates: 50/100 kbps (FSK Modulation) • Typical Electrical Transmit Power: +10.6 dBm • Typical Receive Sensitivity (0.1 % BER): - 102 dBm @ 50 kbps, - 99 dBm @ 100 kbps • Typical CW Receiver Blocking Rejection: 64 dB for CW @ +/- 5 MHz, 74 dB for CW @ +/- 30 MHz
Operating Shock and Vibration	Tested per IEC 60068-2-6 (vibration) and IEC 60068-2-27 (shock)
Electromagnetic Compatibility	Operates within specification in fields from 80 to 1,000MHz with field strengths to 30V/m. Meets IEC 61000-6-2 General Immunity Standard

Accutech BR10

Wireless Base Radio

Model Code - Accutech BR10

TBUABR10-TX21N00 represents a typical part number.

Model	Type
TBUABR10	Wireless Base Radio

Code	Select: RF Module Type
T	902...928 MHz band (FCC / IC)
D	915...928 MHz band (Australia)
F	2.4 GHz band

Code	Select: Certifications
X	CSA: Explosion Proof - see certification details on previous page, for Integral Antenna BR10 only
G	General Purpose - Non-Hazardous locations only, required for remote antenna configurations

Code	Select: Housing
2	NEMA 4X Aluminum Housing

Code	Select: Protocol
1	Modbus and Streaming output for Accutech Manager and output modules

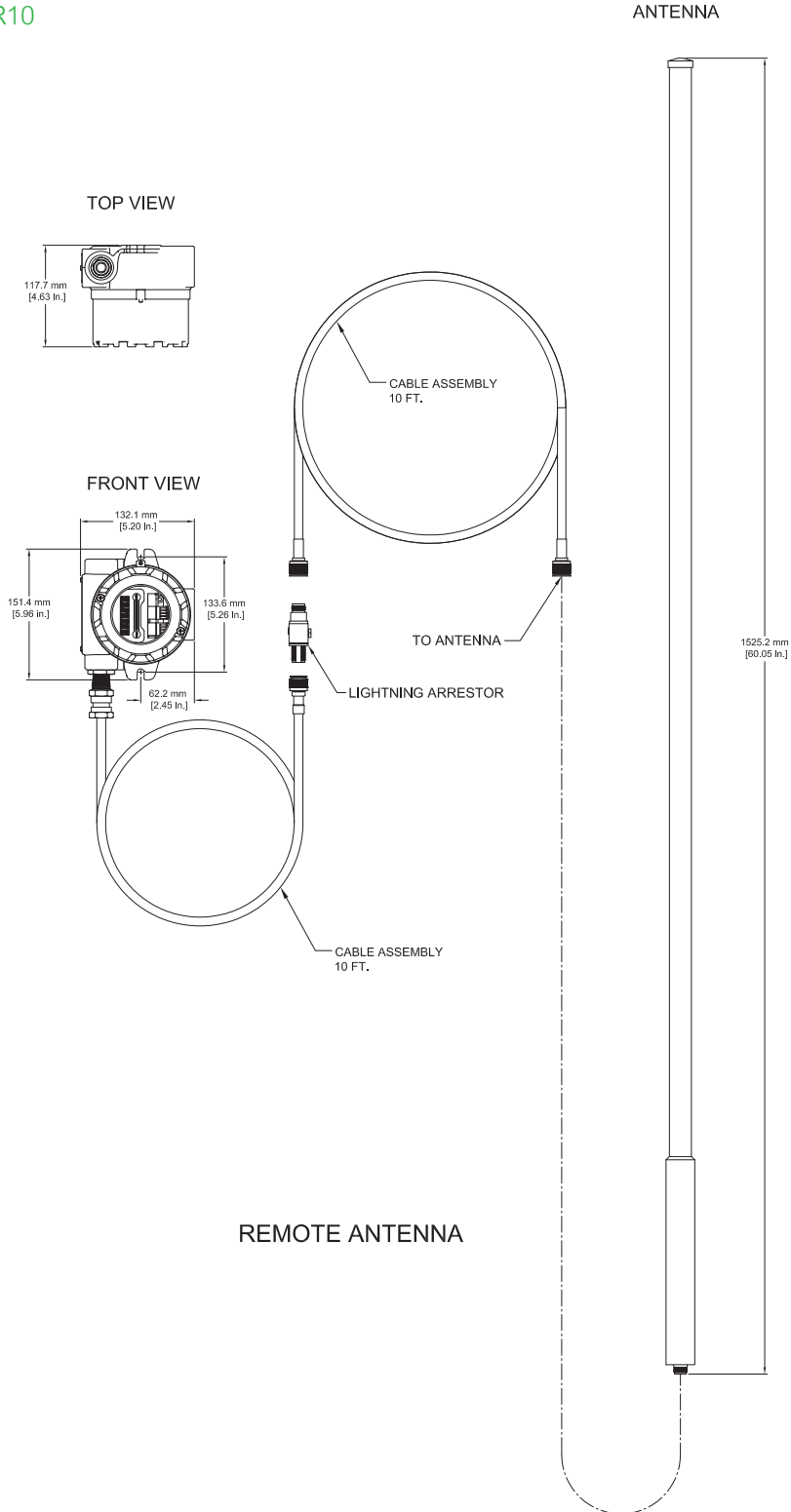
Code	Future Option
N	None

Code	Select: Integral Antenna or Cable & Connector Interface
00	Integral Antenna with NEMA 4X Antenna Cover (meets Xproof Div 1/ Div 2)
10	10 ft. (3.05 m) cable with N-Male connector for remote antenna configurations (non-hazardous locations only)
25	25 ft. (7.62 m) cable with N-Male connector for remote antenna configurations (non-hazardous locations only)

Accutech BR10

Wireless Base Radio

Dimensions - Accutech BR10

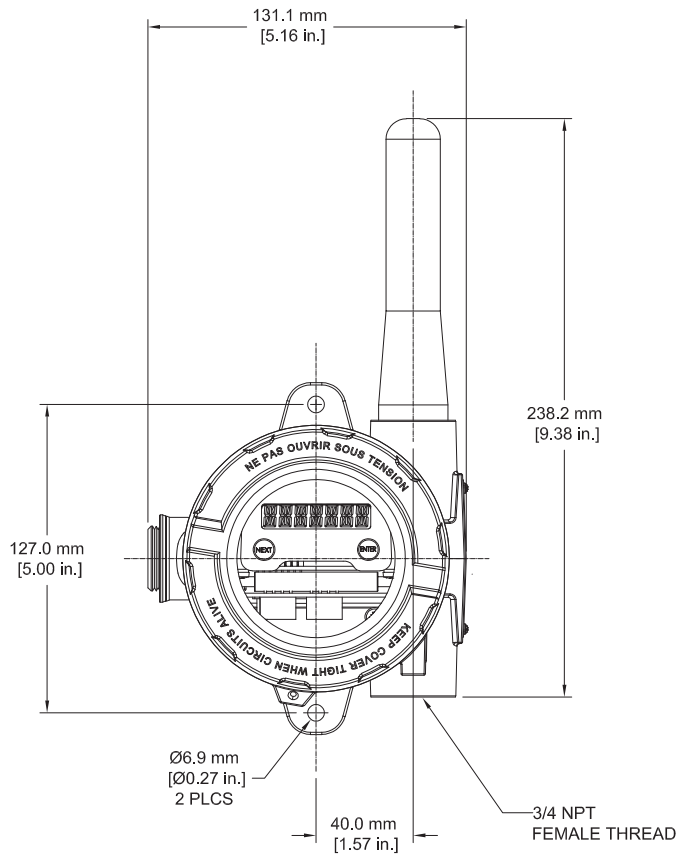


Accutech BR10

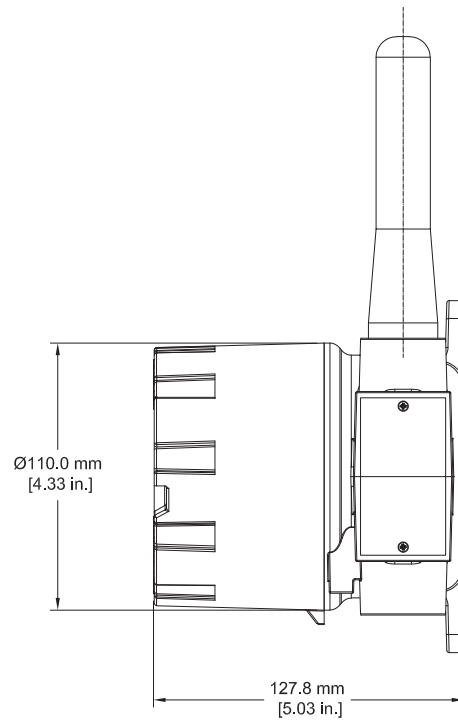
Wireless Base Radio

Dimensions - Accutech BR10 (cont'd)

FRONT VIEW



SIDE VIEW



Note: This product is RoHS-compliant.

Disclaimer: Schneider Electric reserves the right to change product specifications. For ordering information call direct worldwide: +1 (613) 591-1943; Toll Free within North America: +1 (888) 267-2232 or Email: orderstrss@se.com. For more information visit www.se.com.

Foxboro by Schneider Electric
 38 Neponset Avenue,
 Foxboro, Massachusetts 02035 USA
 Direct Worldwide: +1 (508) 549-2424
 Email: systems.support@se.com
 Toll Free within North America: +1 (866) 746-6477
www.se.com

Life Is On

