



**italvalvole**<sup>®</sup> s.a.s.  
di SPADON OSCAR & C.

# PRODUCTION PROGRAM 2019



*...your missing tile*

## OUR HISTORY

*Italvalvole is an Italian family-run company founded in 1973 by Oscar Spadon, assisted by his sons Omar and Oscar jr. together with trusted collaborators in the different business areas. It was one of the first Italian companies to produce automatic process valves, for interception and regulation of industrial fluids. Its multipurpose products find application in many different sectors, increasing year after year its reputation as constantly-reliable partner worldwide.*

*Besides being an ISO 9001 company, it has been the first company in Italy working in engineering and valve manufacturing to have obtained AEO FULL certification with AA rating, the status of Authorised Economic Operator, a figure created by European Commission to facilitate supply chain processes and commercial flows with foreign countries*



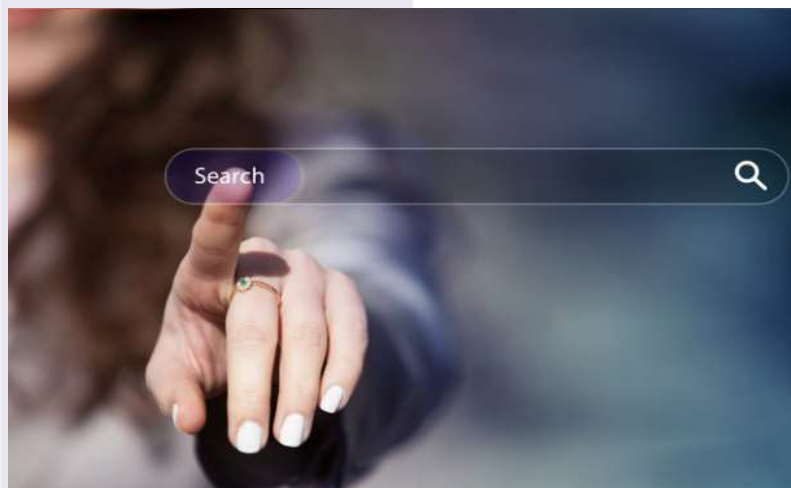
## OUR VALUES

*Since its very beginning, Italvalvole has always focused on quality as mean to build trust and confidence with its customers; this policy is reflected in choice of materials, of partner companies and meticulous controls on every step of production. Employees and workmen are constantly involved into this ongoing process, not only granting quality of daily activities but also of new projects Italvalvole develops next to its customers.*

## OUR MISSION

*Italvalvole tends to one target: to develop and produce high-level products in line with quality standards and more with customers' expectations.*

*History and experience are not a static view but a continuous becoming, a constant enrichment of its know-how at client's service.*



## OUR VISION

*World is in evolution; Italvalvole changes with it, makes it change.*





# CONTROL VALVES





## SBS – GLOBE CONTROL VALVE - 2-WAY



Multi-spring diaphragm control valve with body in GJL, GJS, WCB, CF8M.

DN:	from DN 15 (1/2") to DN250 (10")
Connections:	DIN / ANSI Flanges BW - SW
Packing:	PTFE / PTFE-GR
Plug Seal:	PEEK Metallic Stellite
Leakage Class:	IV (metal-metal) VI (soft)
Min T:	down to -40°C -40°F
Max T:	up to +350°C +662°F
Max P:	up to 40 bar 580 psi
Characteristic:	Linear - Eq%
Optionals:	I/P Converter - Positioner Switch box - Limit switches Anti-cavitation trim - Silencer Solenoid valve Manual override

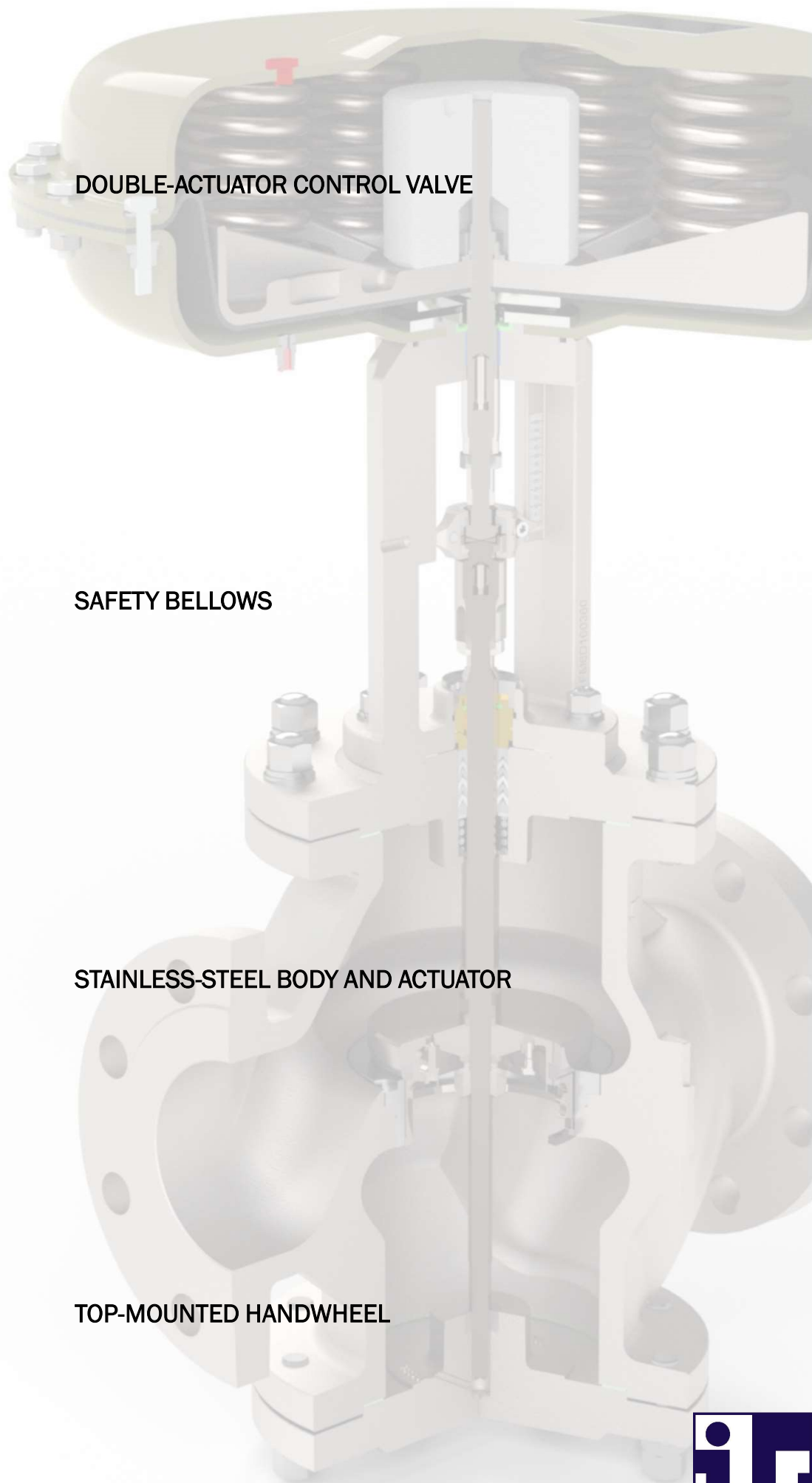
## SBS – GLOBE CONTROL VALVE - 3-WAY



Multi-spring diaphragm control valve with body in GJL, GJS, WCB, CF8M.

Function:	Mixing - Diverting
DN:	from DN15 (1/2") to DN250 (10")
Connections:	DIN / ANSI Flanges BW - SW
Packing:	PTFE / PTFE-GR
Plug Seal:	PEEK Metallic Stellite
Leakage Class:	IV (metal-metal) VI (soft)
Min T:	down to -40°C -40°F
Max T:	up to +350°C +662°F
Max P:	up to 40 bar 580 psi
Characteristic:	Linear - Eq%
Optionals:	I/P Converter - Positioner Switch box - Limit switches Anti-cavitation trim - Silencer Solenoid valve Manual override





**DOUBLE-ACTUATOR CONTROL VALVE**

**SAFETY BELLOWS**

**STAINLESS-STEEL BODY AND ACTUATOR**

**TOP-MOUNTED HANDWHEEL**



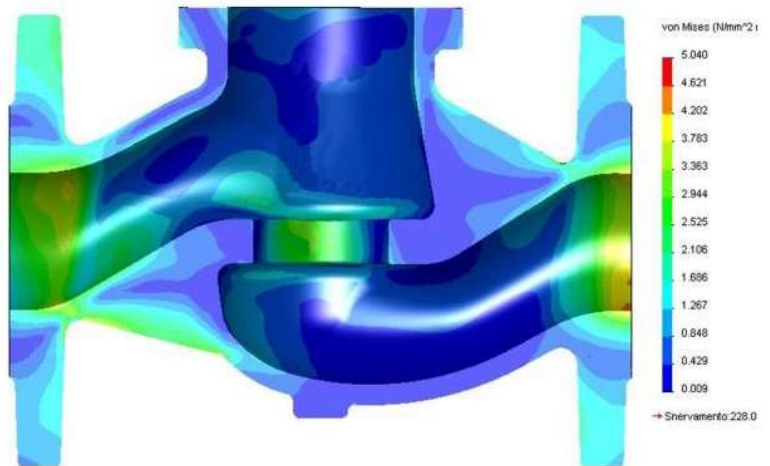
# FFF-REG – GLOBE CONTROL VALVE - 2-WAY

Multi-spring diaphragm control valve with angle-seat body in CF8M.

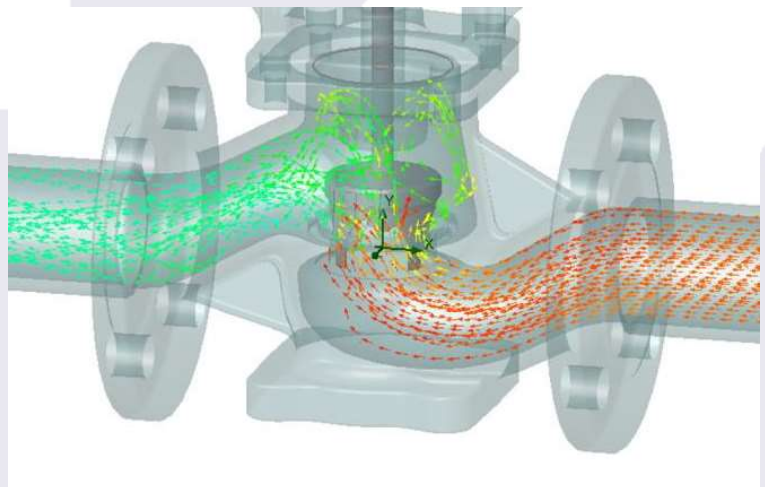
DN: from DN 15 (1/2") to DN 65 (2" 1/2)  
Connections: BSPP / NPT Threads: DIN / ANSI Flanges  
SW / BW  
Clamp  
Packing: PTFE / PTFE-GR  
Plug Seal: PTFE  
EPDM  
EPDM+PTFE  
Min T: down to -25°C -13°F  
Max T: up to +200°C +392°F  
Max P: up to 40 bar 580 psi  
Optionals: I/P Converter - Positioner  
Switch box - Limit switches  
Anti-cavitation trim - Silencer  
Solenoid valve  
Manual override



3D Modelling and Printing



Structural Calculations

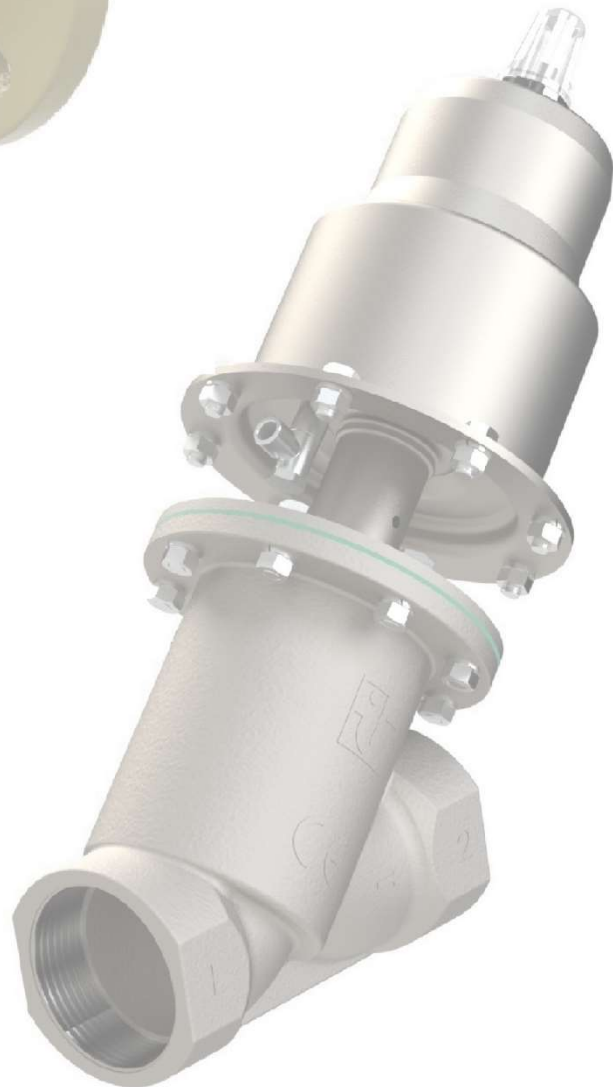


Fluid-Dynamics Calculations





## ON-OFF VALVES





## FFF – IVFL - FREE-FLOW INTERCEPTION VALVES

Angle-seat valves with body in A351 CF8M and actuator in AISI 304 stainless steel.

DN: from DN 8 (1/4") to DN150 (6")

Connections: BSPP / NPT Threads:

DIN / ANSI Flanges

SW / BW

Clamp

Packing: PTFE / PTFE-GR

Plug Seal: PTFE

EPDM

EPDM+PTFE

Min T: down to -25°C

-13°F

Max T: up to +200°C

+392°F

Max P: up to 40 bar

580 psi

Function: Normally Closed

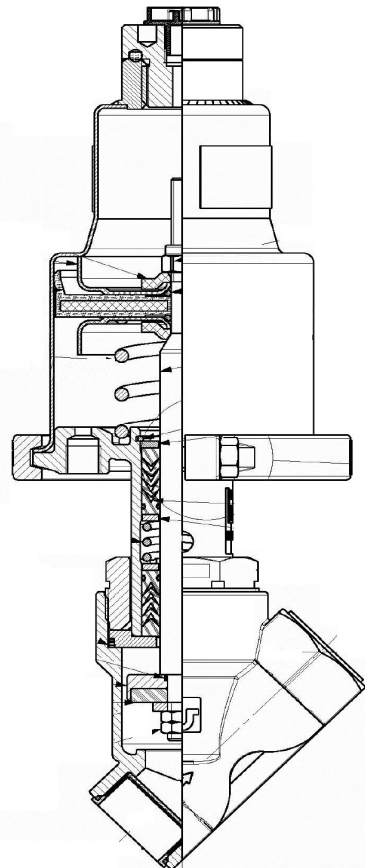
Normally Open

Double Acting

Optionals: Switch box - Limit switches

Stroke limiter

Solenoid valve





## IVS - 90°-BODY INTERCEPTION VALVES

Angle-seat valves with body in A351 CF8M and actuator in AISI 304 stainless steel.



DN:	from DN 8 (1/4") to DN150 (6")	
Connections:	BSP-M / NPT-M Threads DIN / ANSI Flanges BW Clamp	
Packing:	PTFE / PTFE-GR	
Plug Seal:	PTFE EPDM EPDM+PTFE	
Min T:	down to -25 °C	-13 °F
Max T:	up to +200 °C	+392 °F
Max P:	up to 40 bar	580 psi
Function:	Normally Closed Normally Open Double Acting	
Optionals:	Switch box - Limit switches Stroke limiter Solenoid valve	

## GRS – CONVEYED-FLOW INTERCEPTION VALVES

Globe valves with body in GJL, GJS, WCB, CF8M and actuator in AISI 304 stainless steel.



DN:	from DN 15 (1/2") to DN150 (6")	
Connections:	DIN / ANSI Flanges BW	
Packing:	PTFE / PTFE-GR	
Plug Seal:	PTFE EPDM EPDM+PTFE	
Min T:	down to -40 °C	-40 °F
Max T:	up to +350 °C	+662 °F
Max P:	up to 40 bar	580 psi
Function:	Normally Closed Normally Open Double Acting	
Optionals:	Switch box - Limit switches Stroke limiter Solenoid valve	



## FFF/P – IVFL/P :FREE-FLOW INTERCEPTION VALVES

Angle-seat valves with body in A351 CF8M and actuator in PA66 reinforced with glass fiber.

DN: from DN 8 (1/4") to DN150 (6")

Connections: BSPP / NPT Threads:

DIN / ANSI Flanges

SW / BW

Clamp

Packing: PTFE / PTFE-GR

Plug Seal: PTFE

EPDM

EPDM+PTFE

Min T: down to -25°C

-13°F

Max T: up to +200°C

+392°F

Max P: up to 40 bar

580 psi

Function: Normally Closed

Normally Open

Double Acting

Optionals: Switch box - Limit switches

Stroke limiter

Solenoid valve



## IVS/P - 90°-BODY INTERCEPTION VALVES

Angle-seat valves with body in A351 CF8M and actuator in AISI 304 stainless steel.



DN:	from DN 8 (1/4") to DN150 (6")	
Connections:	BSP-M / NPT-M Threads DIN / ANSI Flanges BW Clamp	
Packing:	PTFE / PTFE-GR	
Plug Seal:	PTFE EPDM EPDM+PTFE	
Min T:	down to -25 °C	-13 °F
Max T:	up to +200 °C	+392 °F
Max P:	up to 40 bar	580 psi
Function:	Normally Closed Normally Open Double Acting	
Optionals:	Switch box - Limit switches Stroke limiter Solenoid valve	

## GRS/P – CONVEYED-FLOW INTERCEPTION VALVES

Globe valves with body in GJL, GJS, WCB, CF8M and actuator in AISI 304 stainless steel.



DN:	from DN 15 (1/2") to DN150 (6")	
Connections:	DIN / ANSI Flanges BW	
Packing:	PTFE / PTFE-GR	
Plug Seal:	PTFE EPDM EPDM+PTFE	
Min T:	down to -40 °C	-40 °F
Max T:	up to +350 °C	+662 °F
Max P:	up to 40 bar	580 psi
Function:	Normally Closed Normally Open Double Acting	
Optionals:	Switch box - Limit switches Stroke limiter Solenoid valve	





## IVF – BUTTERFLY VALVES



Butterfly valves, wafer and lug  
Available centric, double-eccentric and triple-eccentric versions.

DN: from DN 40 (1 1/2") to DN 600 (24")

Connections: DIN / ANSI Flanges

Body: GJS 400-15  
A216 WCB  
A351 CF8M  
AluBronze  
Duplex A890

Disc: GJS 400-15  
A351 CF8M  
AluBronze  
Duplex A890

Seal: NBR – EPDM – EPDM HT – FKM  
Q – PTFE – RTFE - Inconel

Min T: down to -60 °C      -76 °F

Max T: up to +450 °C      +842 °F

Max P: up to 40 bar      580 psi

Optionals: Manual Lever  
Pneumatic / Electric Actuator  
Coated Disc



## ISF – BALL VALVES



Ball valves in A351 CF8M / AISI 316 .

2-Way valves with body in 2 / 3 pieces; 3-way valves with L or T port

DN: from DN 8 (1/4") to DN 250 (10")

Connections: BSPP / NPT Threads

DIN / ANSI Flanges

SW / BW

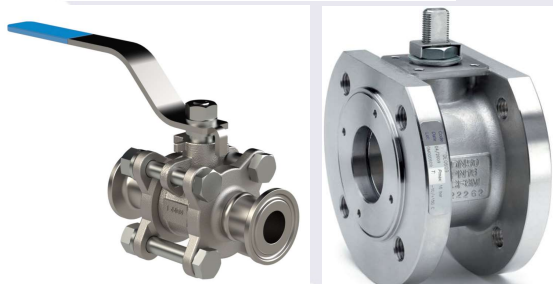
Clamp

Min T: down to -30 °C      -22 °F

Max T: up to +500 °C      +932 °F

Max P: up to 250 bar      3625 psi

Optionals: Manual Lever  
Pneumatic / Electric Actuator  
Integral Seals (Cavity Filled)





## ANCILLARY VALVES





## MBM – SAFETY VALVES

Safety valves.

DN:	from DN 15 (1/2") to DN 150 (6")
Connections:	BSPP / NPT Threads DIN / ANSI Flanges Clamp
Setting Range:	from 0,5 to 15 barg from 7,25 to 217 psig
Min T:	down to -10 °C      14 °F
Max T:	up to +210 °C      +410 °F
Max P:	up to 25 bar      362 psi
Optionals:	Manual Lever



## ICHK – CHECK VALVES

Wafer, piston, swing, ball check valves

DN:	from DN 8 (1/4") to DN 300 (12")
Connections:	BSPP / NPT Threads DIN / ANSI Flanges
Body:	A351 CF8M GJL 250 GJS 400-18 A 216 WCB
Min T:	down to -30 °C      -22 °F
Max T:	up to +400 °C      +752 °F
Max P:	up to 110 bar      1595 psi







## FFF – Y STRAINERS

Y Strainers with body and cap in different materials.

DN:	from DN 8 (1/4") to DN 300 (12")
Connections:	BSPP / NPT Threads DIN / ANSI Flanges
Body:	A351 CF8M GJL 250 GJS 400-18 A 216 WCB
Optionals:	Drain Plug



## IPA – CENTRIFUGAL PUMPS

Axial centrifugal pumps.



## RB – PNEUMATIC PUMPS

Metering pumps.



## IMF/IMM – MIXERS

Mixers





# italvalvole® s.a.s.

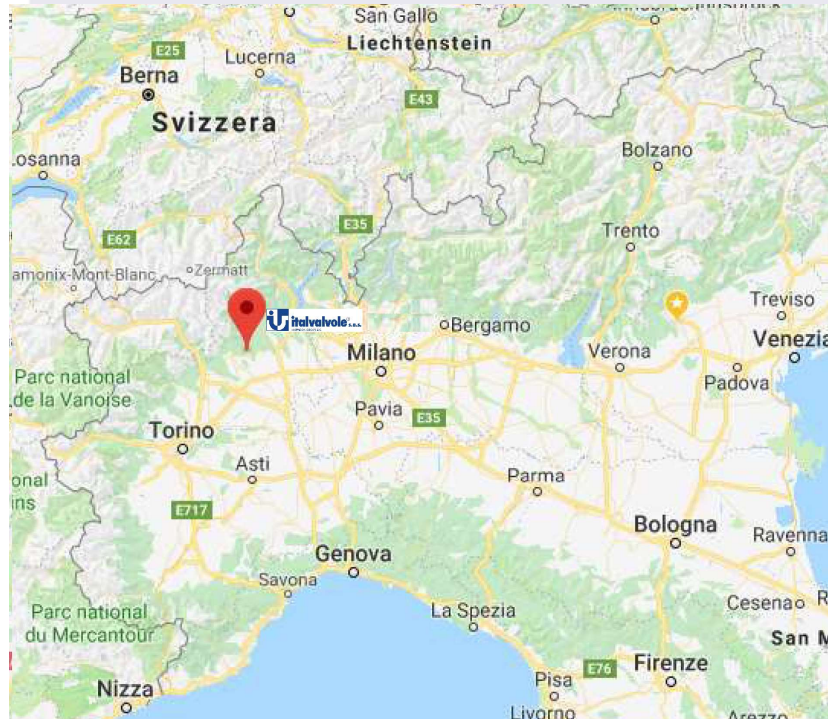
di SPADON OSCAR & C.

# 45

ANNIVERSARY  
1973-2018

Italvalvole S.a.s. di Spadon Oscar & C.  
Via Amendola, n. 125  
13836 Cossato (BI)  
ITALY

Tel.: +39 015980641  
Fax: +39 015926297  
Email: [info@italvalvole.com](mailto:info@italvalvole.com)  
Web: [www.italvalvole.com](http://www.italvalvole.com)  
VAT Nr.: IT 00221520026  
REA n.: 106994



**ICIM**  
> Quality Management System Certificate



**PASCAL (SECURITY VALVES)**  
> Conformity Certificate (Module D)  
> EC Type Examination Cert. (Module B)



**ATEX**  
> ATEX CRS SBS  
> ATEX IVS-IVFL-FFF / IVS-IVFL-REG / FFF-REG (PDF)  
> ATEX SERVOC. BBITV



**AEO**  
> Certificate AEO

