

VBS100 / VBS110 – VOLUME BOOSTER SERIES

The VBS100 Volume Booster Series is designed to operate pneumatic valve actuators via a valve positioner. It is recommended for large actuators to reduce positioning time. The bypass valve is used to adjust dynamic response to provide stable operation over a wide range of actuator sizes.

FEATURES

- Booster for control applications
- Available in Aluminium or Stainless Steel housing
- Adjustable Bypass Valve
- Compatible with the Full Range of Foxboro valve positioners SRP981, SRI986, SRI983, SRI990, SRD991, SRD960 and IP converters IP24, IP26



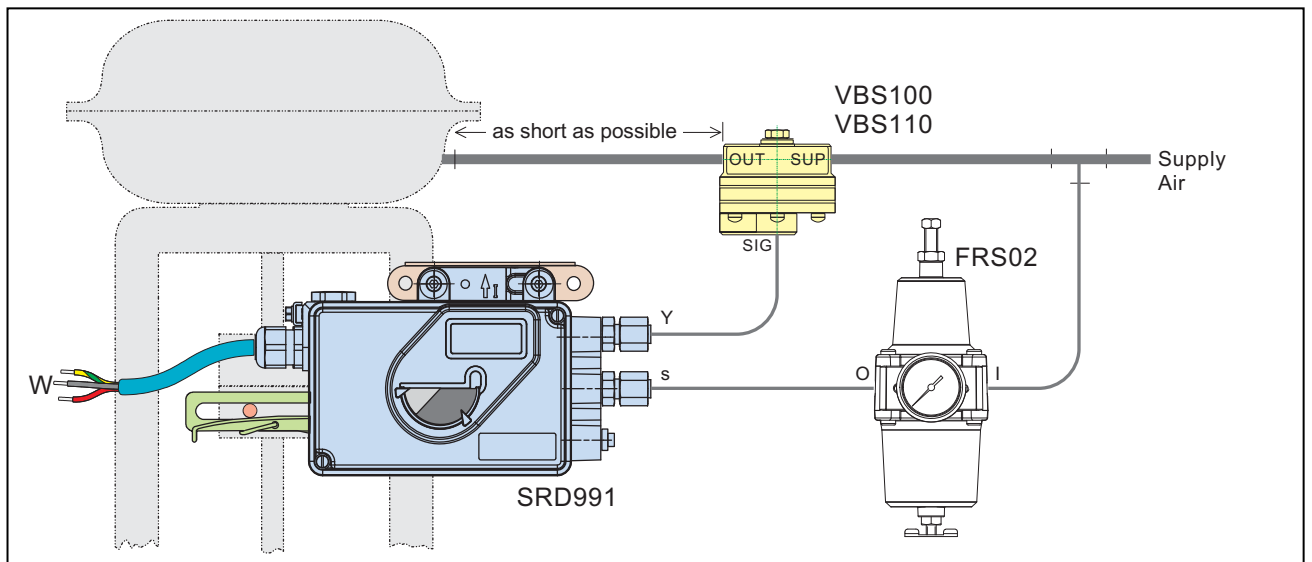
SPECIFICATIONS

	VBS100	VBS110
Max. Supply Pressure	10 bar / 150 psig	
Max. Signal/Output Pressure	10 bar / 150 psig (controlled by positioner)	
Flow Capacity (Cv) Input	Cv 1	
Flow Capacity (Cv) Exhaust	Cv 1	
Signal/Output Pressure Ratio	1:1	
Housing material	Aluminium	Stainless Steel 316L
Diaphragm material	Silicon	
Supply/Output Connection	1/4 NPT	
Signal Connection	1/4 NPT	
Ambient Temperature	-40°C to 80°C / -40°F to 176°F	
Weight	0.56 kg	1.49 kg
Mounting type	remote from Positioner	

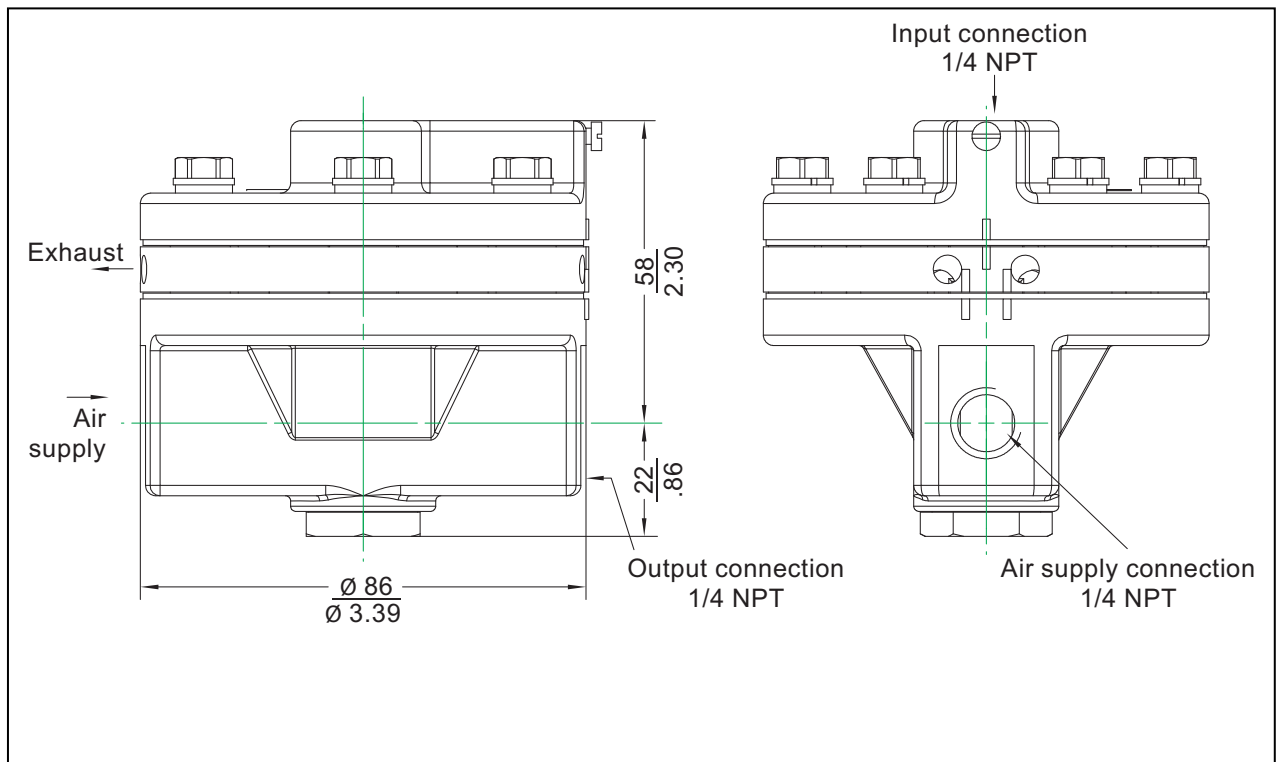
MODEL CODES VBS100 / VBS110

Volume Booster	VBS	-	-	-
Flow Capacity		1		
Cv 1				
Body Material			0	
Aluminium			1	
Stainless Steel 316L				
Mounting Type				0
Remote from positioner				

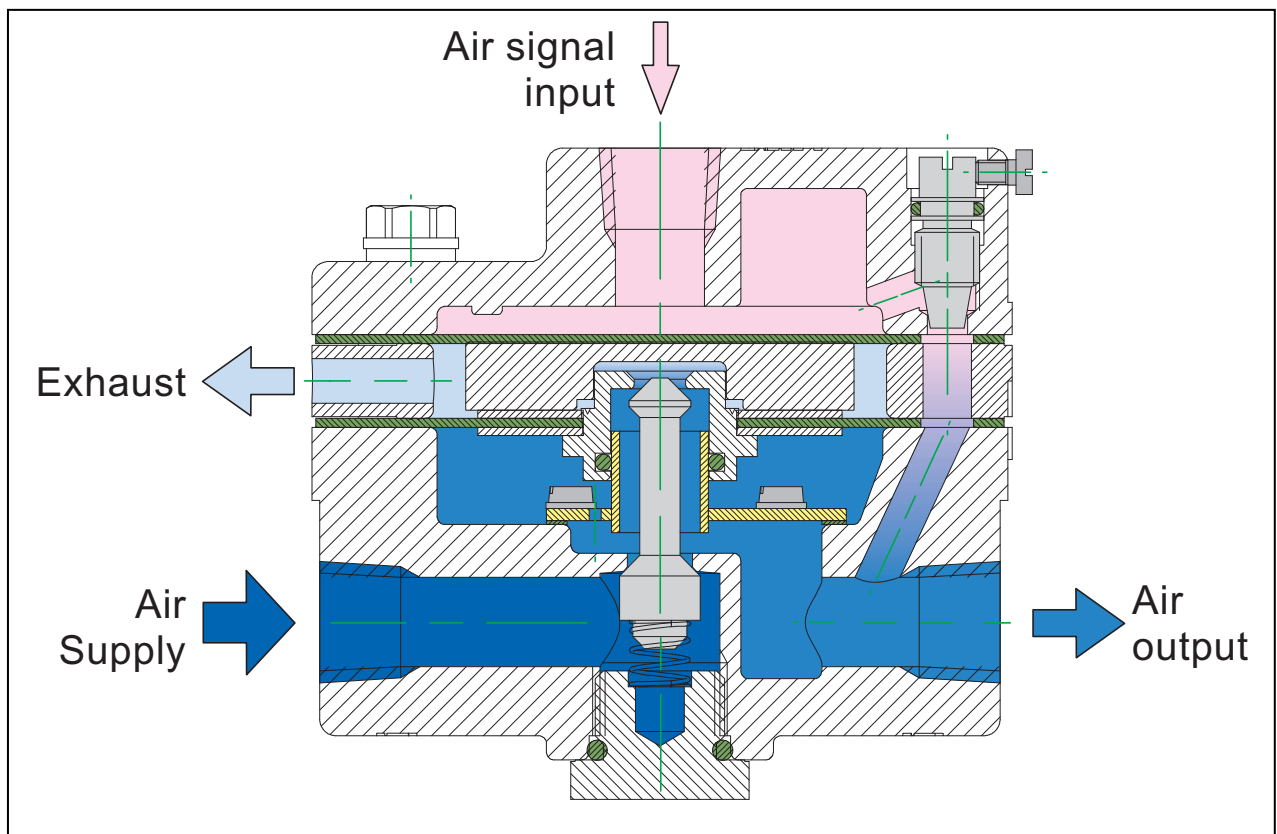
APPLICATION



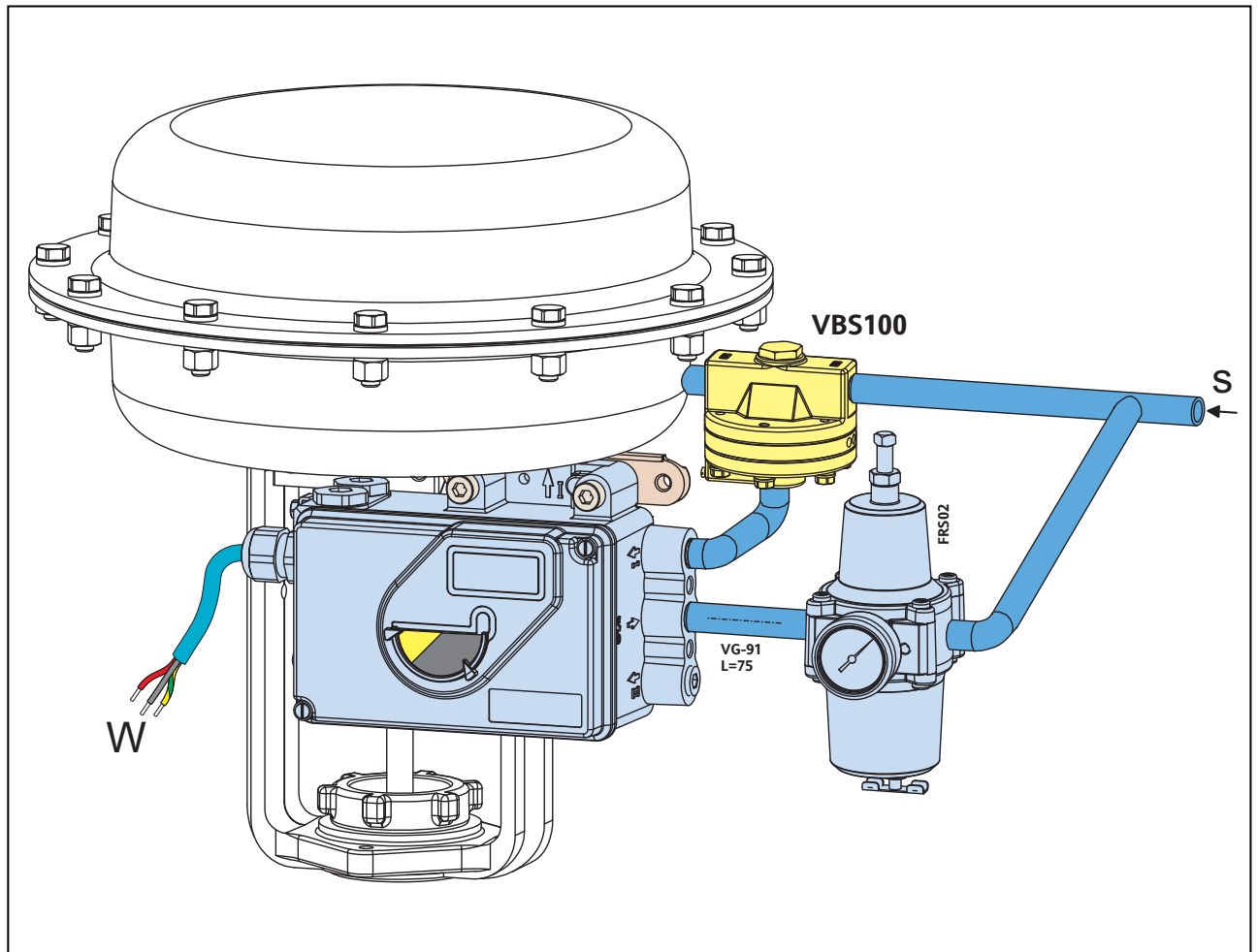
DIMENSIONS



FUNCTION



EXAMPLE FOR MOUNTING



Invensys Systems, Inc.
 38 Neponset Street
 Foxboro, MA 02035
 United States of America

schneider-electric.com

Global Customer Support
 Toll free: 1-866-746-6477
 Global: 1-508-549-2424
 Website:
<http://support.ips.invensys.com>

Copyright 2010-2016 Invensys Systems, Inc.
 All rights reserved.
 Invensys, Foxboro, and I/A Series are trademarks of Invensys Limited, its subsidiaries, and affiliates. All other trademarks are the property of their respective owners.

DOKT 558 765 022
 FD-PSS-PO-15-EN